



DOL starter, 3 pole, 0.55 kW/400 V/AC3, 100 kA

Part no. MSC-DM-1,6-M7(230V50HZ)
Catalog No. 188283
Eaton Catalog No. XTSC1P6B007BMFNL

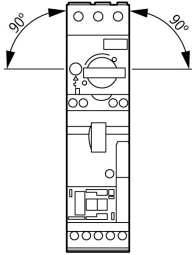
Delivery program

| | | | | |
|------------------------------------|----------|----|--|---|
| Basic function | | | | DOL starters (complete devices) |
| Basic device | | | | MSC |
| | | | | |
| Notes | | | | Also suitable for motors with efficiency class IE3. IE3-ready devices are identified by the logo on their packaging. |
| Motor ratings | | | | |
| Motor rating | | | | |
| AC-3 | | | | |
| 380 V 400 V 415 V | P | kW | | 0.37 0.55 |
| Rated operational current | | | | |
| AC-3 | | | | |
| 400 V | I_e | A | | 1.1 1.5 |
| Setting range | | | | |
| Setting range of overload releases | I_r | A | | 1 - 1.6 |
| | | | | |
| short-circuit release | | | | |
| | | | | |
| Non-delayed | I_{rm} | A | | 24,8 |
| | | | | |
| Coordination | | | | Type of coordination "1" Type of coordination "2" |
| Contact sequence | | | | |

| | | | |
|--|--|--|-----------------|
| Actuating voltage | | | 230 V 50 Hz |
| | | | Wechselspannung |
| Motor-protective circuit-breakers PKZM0-1,6 | | | |
| Contactor DILM7-10(...) | | | |
| DOL starter wiring set | | | |
| Mechanical connection element and electrical electric contact module PKZM0-XDM15ME | | | |

Technical data

General

| | | | |
|-------------------|--|--|--|
| Standards | | | IEC/EN 60947-4-1, VDE 0660 |
| Mounting position | | |  |

Main conducting paths

| | | | |
|---------------------------------------|-----------|------|-----------|
| Rated impulse withstand voltage | U_{imp} | V AC | 6000 |
| Overvoltage category/pollution degree | | | III/3 |
| Rated operational voltage | U_e | V | 230 - 415 |
| Rated operational current | | | |
| Open, 3-pole: 50 – 60 Hz | | | |
| 380 V 400 V | I_e | A | 1.6 |

Additional technical data

| | | | |
|--|---------|---|---|
| Motor protective circuit breaker PKZM0, PKE | | | PKZM0 motor-protective circuit-breakers, see motor-protective circuit-breakers/ PKZM0 product group DILM contactors, see contactor product group DILET timing relay, ETR, see contactors, electronic timing relays product group |
| DILM contactors | | | |
| Power consumption of the coil in a cold state and $1.0 \times U_c$ | | | |
| Dual-voltage coil 50 Hz | Sealing | W | 1.4 |

Rating data for approved types

| | | | |
|--------------------|--|---|------|
| Auxiliary contacts | | | |
| Pilot Duty | | | |
| AC operated | | | A600 |
| DC operated | | | P300 |
| General Use | | | |
| AC | | V | 600 |
| AC | | A | 15 |
| DC | | V | 250 |
| DC | | A | 1 |

Design verification as per IEC/EN 61439

| | | | |
|--|--|----|-----|
| Technical data for design verification | | | |
| Operating ambient temperature max. | | °C | -25 |
| Operating ambient temperature max. | | °C | 55 |

Technical data ETIM 6.0

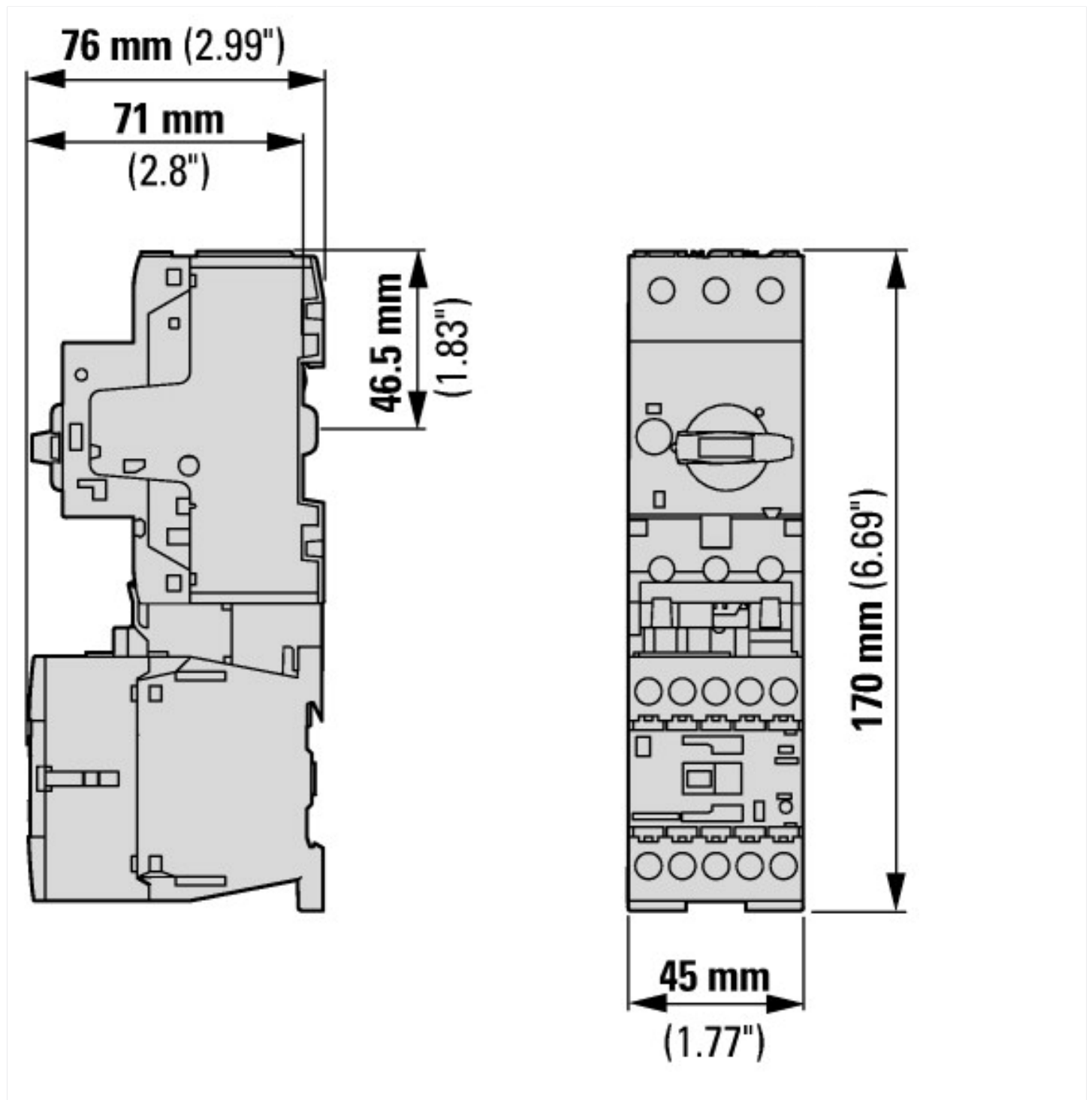
| | | | |
|---|--|---|----------------|
| Low-voltage industrial components (EG000017) / Motor starter/Motor starter combination (EC001037) | | | |
| Electric engineering, automation, process control engineering / Low-voltage switch technology / Load breakout, motor breakout / Motor starter combination (ecl@ss8.1-27-37-09-05 [AJZ718010]) | | | |
| Kind of motor starter | | | Direct starter |
| With short-circuit release | | | Yes |
| Rated control supply voltage U_s at AC 50HZ | | V | 230 - 230 |
| Rated control supply voltage U_s at AC 60HZ | | V | 0 - 0 |
| Rated control supply voltage U_s at DC | | V | 0 - 0 |
| Voltage type for actuating | | | AC |

| | | |
|--|----|------------------|
| Rated operation power at AC-3, 230 V, 3-phase | kW | 0.25 |
| Rated operation power at AC-3, 400 V | kW | 0.55 |
| Rated power, 460 V, 60 Hz, 3-phase | kW | 0 |
| Rated power, 575 V, 60 Hz, 3-phase | kW | 0 |
| Rated operation current Ie | A | 1.5 |
| Rated operation current at AC-3, 400 V | A | 1.6 |
| Overload release current setting | A | 1 - 1.6 |
| Rated conditional short-circuit current, type 1, 480 Y/277 V | A | 0 |
| Rated conditional short-circuit current, type 1, 600 Y/347 V | A | 0 |
| Rated conditional short-circuit current, type 2, 230 V | A | 50000 |
| Rated conditional short-circuit current, type 2, 400 V | A | 50000 |
| Number of auxiliary contacts as normally open contact | | 1 |
| Number of auxiliary contacts as normally closed contact | | 0 |
| Ambient temperature, , upper operating limit | °C | 60 |
| Temperature compensated overload protection | | Yes |
| Release class | | CLASS 10 |
| Type of electrical connection of main circuit | | Screw connection |
| Type of electrical connection for auxiliary- and control current circuit | | Screw connection |
| Rail mounting possible | | Yes |
| Degree of protection (IP) | | IP20 |
| Supporting protocol for TCP/IP | | No |
| Supporting protocol for PROFIBUS | | No |
| Supporting protocol for CAN | | No |
| Supporting protocol for INTERBUS | | No |
| Supporting protocol for ASI | | No |
| Supporting protocol for MODBUS | | No |
| Supporting protocol for Data-Highway | | No |
| Supporting protocol for DeviceNet | | No |
| Supporting protocol for SUCONET | | No |
| Supporting protocol for LON | | No |
| Supporting protocol for PROFINET IO | | No |
| Supporting protocol for PROFINET CBA | | No |
| Supporting protocol for SERCOS | | No |
| Supporting protocol for Foundation Fieldbus | | No |
| Supporting protocol for EtherNet/IP | | No |
| Supporting protocol for AS-Interface Safety at Work | | No |
| Supporting protocol for DeviceNet Safety | | No |
| Supporting protocol for INTERBUS-Safety | | No |
| Supporting protocol for PROFIsafe | | No |
| Supporting protocol for SafetyBUS p | | No |
| Supporting protocol for other bus systems | | No |

Approvals

| | | |
|--------------------------------------|--|---|
| Product Standards | | UL60947-4-1A; CSA-C22.2 No. 14-10; IEC60947-4-1; CE marking |
| UL File No. | | E123500 |
| UL Category Control No. | | NKJH |
| CSA File No. | | 12528 |
| CSA Class No. | | 3211-04 |
| North America Certification | | UL listed, CSA certified |
| Specially designed for North America | | No |

Dimensions



Additional product information (links)

IL034030ZU Electrical connector for motor-protective circuit-breaker PKZ

IL034030ZU Electrical connector for motor-protective circuit-breaker PKZ

ftp://ftp.moeller.net/DOCUMENTATION/AWA_INSTRUCTIONS/IL034030ZU2015_04.pdf

Moeller_Online Selections Aids

<http://www.moeller.net/en/support/slider/index.jsp>