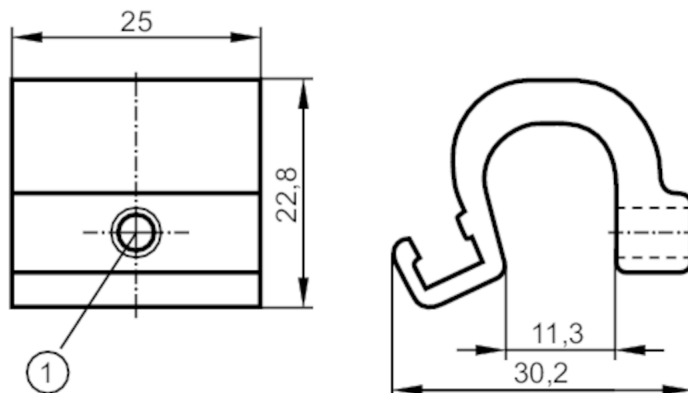


E11797



Mounting adapter for tie-rod/integrated profile cylinders

ADAPT TIE ROD/PROFILE CYL



1 Mounting screw SW 2.5

Application

Design

for types MKT

Mechanical data

Weight

[g]

18.5

Dimensions

[mm]

22.8 x 25 x 30.2

Materials

aluminium; screw: stainless steel

Clamping range

[mm]

5...11

Remarks

Pack quantity

1 pcs.