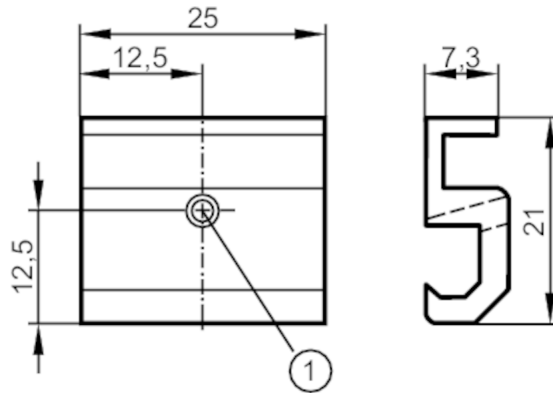


E11895



Mounting adapter for Festo pneumatic cylinders

ADAPT FOR CYL FESTO DZH



1 Mounting screw SW 1.5

Application

Design for types MKT

Mechanical data

Weight [g]	7.5
Type of mounting	fixing: socket head screw M3; for series: Festo DZH
Dimensions [mm]	21 x 25 x 7.3
Materials	aluminium; screw: stainless steel

Remarks

Pack quantity 1 pcs.