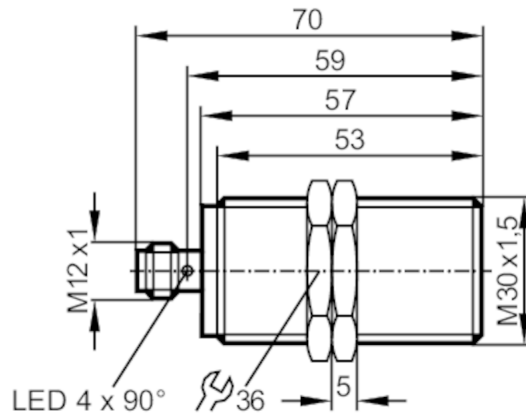


# II5916



## Inductive analogue sensor

IIK3010A1PKG/US



Product characteristics	
Housing	threaded type
Dimensions [mm]	M30 x 1.5 / L = 70
Electrical data	
Operating voltage [V]	15...30 DC
Current consumption [mA]	< 20
Protection class	II
Reverse polarity protection	yes
Outputs	
Analogue current output [mA]	4...20; (linear; gradient: 1,778 mA/mm; for frontal approach and for target made of mild steel: 30 x 30 x 1 mm)
Max. load [ $\Omega$ ]	500
Short-circuit protection	yes
Overload protection	yes
Detection zone	
Measuring range [mm]	1...10
Accuracy / deviations	
Correction factor	steel: 1 / stainless steel: 0.7 / brass: 0.5 / aluminium: 0.4 / copper: 0.3
Linearity error of analogue output [%]	$\pm 3$ %; (of IA max)
Repeatability analogue output [%]	$\pm 2$ %; (of IA max)
Response times	
Response time [ms]	< 10
Operating conditions	
Ambient temperature [ $^{\circ}$ C]	-25...80
Protection	IP 67
Tests / approvals	
MTTF [years]	218

# II5916



## Inductive analogue sensor

IIK3010A1PKG/US

Mechanical data	
Weight [g]	149.5
Housing	threaded type
Mounting	flush mountable
Dimensions [mm]	M30 x 1.5 / L = 70
Thread designation	M30 x 1.5
Materials	housing: brass white bronze coated; sensing face: PBT
Tightening torque [Nm]	50

Displays / operating elements		
Display	within the operating range	1 x LED, yellow lights
	outside the operating range	1 x LED, yellow flashing

Accessories	
Accessories (supplied)	lock nuts: 2

Remarks	
Pack quantity	1 pcs.

### Electrical connection - plug

Connector: 1 x M12



### Connection

