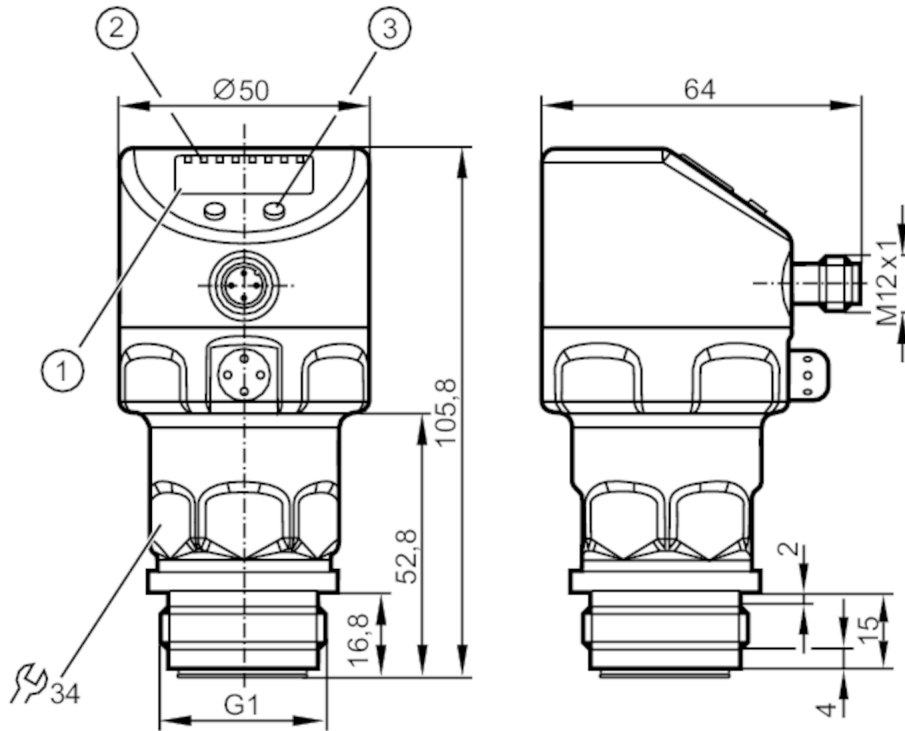


PI2796



Flush pressure sensor with display

PI-2,5-REA01-MFRKG/US/ IP



- 1 alphanumeric display 4-digit
- 2 status LEDs
- 3 programming button



ACS



CRN



ERIC

EC 1935/2004

EHDG Certified

FCM

FDA



Reg31

Product characteristics

Output signal	switching signal; analogue signal; IO-Link; (configurable)			
Measuring range	-0.124...2.5 bar	-124...2500 mbar	-1.8...36.27 psi	-12.4...250 kPa
Process connection	threaded connection G 1 external thread Aseptoflex Vario			

Application

Special feature	Gold-plated contacts		
Application	food and beverage industry		
Media	viscous media and liquids with suspended particles; liquids and gases		
Medium temperature [°C]	-25...125; (145 max. 1h)		
Pressure rating	20 bar	290 psi	2000 kPa
Min. bursting pressure	50 bar	725 psi	5000 kPa
Vacuum resistance [mbar]	-1000		
Type of pressure	relative pressure		
No dead space	yes		
MAWP (for applications according to CRN) [bar]	20		



Flush pressure sensor with display

PI-2,5-REA01-MFRKG/US/ IP

Electrical data		
Min. insulation resistance	[MΩ]	100; (500 V DC)
Protection class		III
Reverse polarity protection		yes
Integrated watchdog		yes
2-wire		
Operating voltage	[V]	20...32 DC
Current consumption	[mA]	3.6...21
Power-on delay time	[s]	1
3-wire		
Operating voltage	[V]	18...32 DC
Current consumption	[mA]	< 45
Power-on delay time	[s]	0.5
Inputs / outputs		
Number of inputs and outputs		Number of digital outputs: 2; Number of analogue outputs: 1
Outputs		
Total number of outputs		2
Output signal		switching signal; analogue signal; IO-Link; (configurable)
Electrical design		PNP/NPN
Number of digital outputs		2
Output function		normally open / normally closed; (parameterisable)
Number of analogue outputs		1
Analogue current output	[mA]	4...20, invertible; (scalable)
Short-circuit protection		yes
Type of short-circuit protection		pulsed
Overload protection		yes
2-wire		
Max. load	[Ω]	300
3-wire		
Max. voltage drop switching output DC	[V]	2
Permanent current rating of switching output DC	[mA]	250
Switching frequency DC	[Hz]	125
Max. load	[Ω]	(U _b - 10 V) / 20 mA



Flush pressure sensor with display

PI-2,5-REA01-MFRKG/US/ IP

Measuring/setting range				
Measuring range	-0.124...2.5 bar	-124...2500 mbar	-1.8...36.27 psi	-12.4...250 kPa
Set point SP	-0.12...2.5 bar		-1.74...36.27 psi	-12...250 kPa
Reset point rP	-0.124...2.496 bar		-1.8...36.21 psi	-12.4...249.6 kPa
Analogue start point	-0.124...1.88 bar		-1.8...27.27 psi	-12.4...188 kPa
Analogue end point	0.5...2.5 bar		7.26...36.27 psi	50...250 kPa
In steps of	0.002 bar		0.03 psi	0.2 kPa
Factory setting			SP1 = 0.624 bar	rP1 = 0.574 bar
			SP2 = 1.874 bar	rP2 = 1.824 bar
			ASP = 0.000 bar	AEP = 2.500 bar
Accuracy / deviations				
Switch point accuracy [% of the span]	< ± 0,2; (Turn down 1:1)			
Repeatability [% of the span]	< ± 0,1; (with temperature fluctuations < 10 K; Turn down 1:1)			
Characteristics deviation [% of the span]	< ± 0,2; (Turn down 1:1 linearity, incl. hysteresis and repeatability limit value setting to DIN 16086)			
Linearity deviation [% of the span]	< ± 0,15; (Turn down 1:1)			
Hysteresis deviation [% of the span]	< ± 0,15; (Turn down 1:1)			
Long-term stability [% of the span]	< ± 0,1; (Turn down 1:1; per year)			
Temperature coefficient zero point [% of the span / 10 K]	< ± 0,05; (0...70 °C)			
Temperature coefficient span [% of the span / 10 K]	< ± 0,15; (0...70 °C)			
Response times				
Damping for the switching output dAP [s]	0...30			
Damping for the analogue output dAA [s]	0.01...99.99			
2-wire				
Step response time analogue output [ms]	45			
3-wire				
Min. response time of switching output (dAP) [ms]	3			
Step response time analogue output [ms]	7			

PI2796



Flush pressure sensor with display

PI-2,5-REA01-MFRKG/US/ IP

Interfaces		
Communication interface	IO-Link	
Transmission type	COM2 (38,4 kBaud)	
IO-Link revision	1.0	
IO-Link device ID	159 d / 00 00 9F h	
Profiles	no profile	
SIO mode	yes	
Required master port type	A	
Process data analogue	1	
Process data binary	2	
Min. process cycle time [ms]	2.3	
Operating conditions		
Ambient temperature [°C]	-25...80	
Storage temperature [°C]	-40...100	
Protection	IP 67; IP 68; IP 69K	
Tests / approvals		
EMC	EN 61000-4-2 ESD	4 kV CD / 8 kV AD
	EN 61000-4-3 HF radiated	10 V/m
	EN 61000-4-4 Burst	2 kV
	EN 61000-4-5 Surge	0,5/1 kV
	EN 61000-4-6 HF conducted	10 V
Shock resistance	DIN IEC 68-2-27	50 g (11 ms)
Vibration resistance	DIN IEC 68-2-6	20 g (10...2000 Hz)
MTTF [years]	160	
Note on approval	factory certificate available as download at www.factory-certificate.ifm	
Mechanical data		
Weight [g]	356.5	
Materials	stainless steel (1.4404 / 316L); FKM; PTFE; PBT; PEI; PFA	
Materials (wetted parts)	ceramics (99.9 % Al ₂ O ₃); PTFE; stainless steel (1.4435 / 316L); surface characteristics: Ra < 0,4 / Rz 4	
Min. pressure cycles	100 million	
Process connection	threaded connection G 1 external thread Aseptoflex Vario	
Displays / operating elements		
Display	Display unit	LED, green
	switching status	LED, yellow
	function display	alphanumeric display, 4-digit
	measured values	alphanumeric display, 4-digit
Display unit	bar; kPa; psi; inH ₂ O; mWS; % of the span	
Remarks		
Pack quantity	1 pcs.	
Electrical connection		
Connector: 1 x M12; Contacts: gold-plated		

PI2796

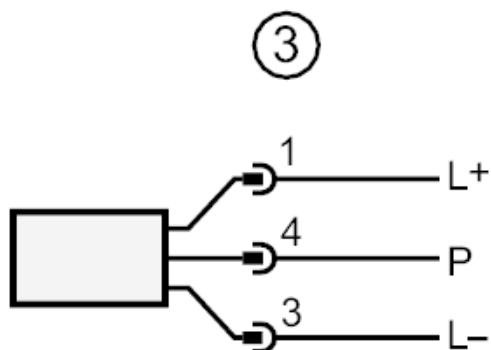
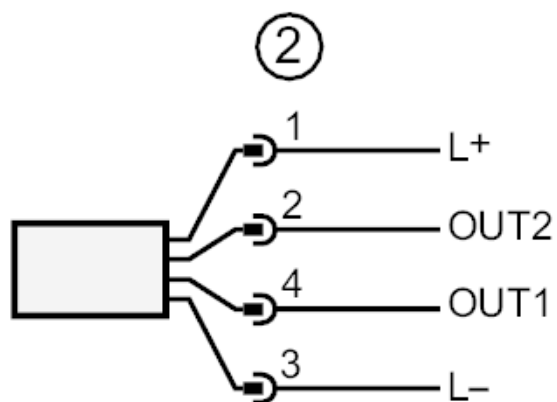
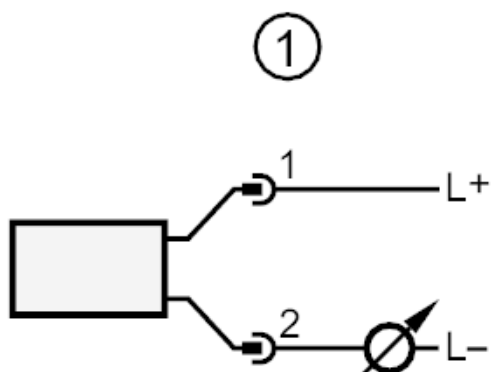


Flush pressure sensor with display

PI-2,5-REA01-MFRKG/US/ IP



Connection



- 1 connection for 2-wire operation
- 2 connection for 3-wire operation :
- OUT1 switching output
- OUT2 switching output
- analogue output
- 3 connection for IO-Link parameter setting (P = communication via IO-Link)