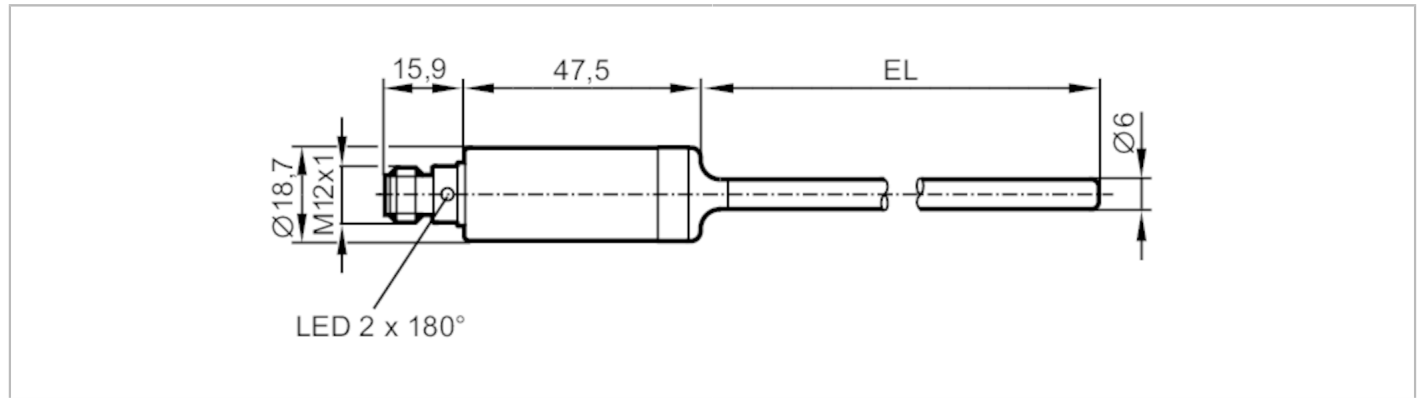


# TA2232



## Temperature transmitter

TA-100CLE06-- /US



EC 1935/2004 EHEDG Certified

| Product characteristics      |  |
|------------------------------|--|
| Number of inputs and outputs | Number of analogue outputs: 1            |
| Measuring range [°C]         | -50...200                                |
| Process connection           | diameter Ø 6 mm                          |
| Installation length EL [mm]  | 100                                      |
| Application                  |  |
| Measuring element            | 1 x Pt 1000; (to DIN EN 60751, class A)  |
| Media                        | liquids and gases                        |
| Pressure rating [bar]        | 160                                      |
| Vacuum resistance [mbar]     | -1000                                    |
| Electrical data              |  |
| Operating voltage [V]        | 18...32 DC; ("supply class 2" to cULus)  |
| Current consumption [mA]     | < 50                                     |
| Protection class             | III                                      |
| Reverse polarity protection  | yes                                      |
| Power-on delay time [s]      | 2  |
| Inputs / outputs             |  |
| Number of inputs and outputs | Number of analogue outputs: 1            |
| Outputs                      |  |
| Total number of outputs      | 1  |
| Output signal                | analogue signal; IO-Link; (configurable) |
| Number of analogue outputs   | 1  |
| Analogue current output [mA] | 4...20                                   |
| Max. load [Ω]                | 250; ((18...19 V); 19...32 V: 300 Ω)     |
| Short-circuit protection     | yes                                      |
| Overload protection          | yes                                      |
| Measuring/setting range      |  |
| Measuring range [°C]         | -50...200                                |
| Factory setting              | 0...200 °C                               |

# TA2232



## Temperature transmitter

TA-100CLE06-- /US

| Resolution  |   |
|---|---|
| Resolution of analogue output [K]                 | 0.04  |
| Accuracy / deviations                             |   |
| Precision analogue output [K]                     | $\pm 0,3 + (\pm 0,1 \% \text{ MS})$   |
| Temperature coefficient [% of the span / 10 K]    | 0,1; (in case of deviation from the reference condition $25 \pm 5 \text{ }^\circ\text{C}$ )                                   |
| Response times                                    |   |
| Dynamic response T05 / T09 [s]                    | $< 0,5 / < 2$   |
| Interfaces  |   |
| Communication interface                           | IO-Link   |
| Transmission type                                 | COM2 (38,4 kBaud)   |
| IO-Link revision                                  | 1.1   |
| Operating conditions                              |   |
| Ambient temperature [°C]                          | -25...80  |
| Note on ambient temperature                       | at medium temperature: $< 160 \text{ }^\circ\text{C}$<br>-25...60 °C<br>at medium temperature: $< 200 \text{ }^\circ\text{C}$ |
| Storage temperature [°C]                          | -40...100   |
| Protection  | IP 67; IP 68; IP 69K  |
| Tests / approvals                                 |   |
| EMC   | DIN EN 61000-6-2<br>DIN EN 61000-6-3  |
| Shock resistance                                  | DIN IEC 68-2-27 50 g (11 ms)  |
| Vibration resistance                              | DIN IEC 68-2-6 10 g (10...2000 Hz)  |
| MTTF [years]                                      | 232   |
| Note on approval                                  | factory certificate available as download at <a href="http://www.factory-certificate.ifm">www.factory-certificate.ifm</a>     |
| UL approval                                       | UL Approval no. K002  |
| Mechanical data                                   |   |
| Weight [g]  | 155.5   |
| Dimensions [mm]                                   | $\varnothing 18.7$  |
| Materials   | stainless steel (1.4404 / 316L); PEI; FKM   |
| Materials (wetted parts)                          | stainless steel (1.4404 / 316L) electropolished   |
| Process connection                                | diameter $\varnothing 6 \text{ mm}$   |
| Surface characteristics Ra/Rz of the wetted parts | Ra: $< 0.8$   |
| Probe diameter [mm]                               | 6   |
| Installation length EL [mm]                       | 100   |
| Remarks   |   |
| Remarks   | MS = set measuring span<br>The values for accuracy apply to flowing water.  |
| Pack quantity                                     | 1 pcs.  |
| Electrical connection                             |   |
| Connector: 1 x M12                                |   |

# TA2232



## Temperature transmitter

TA-100CLE06-- /US



### Connection

