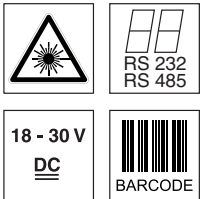


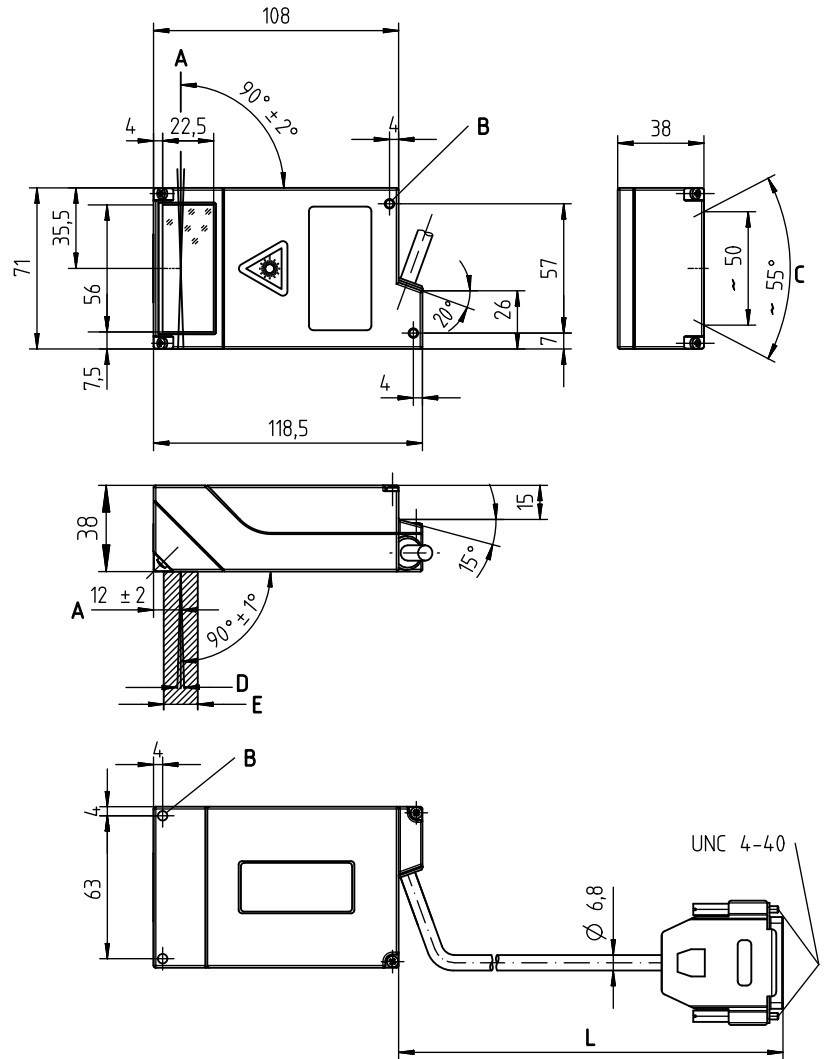
en 2019/10/21 50130095



30 ... 310mm

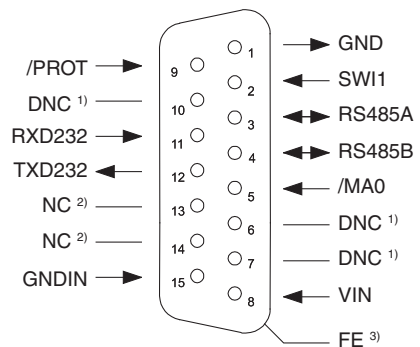
- Compact scanner
- Focus adjustment
- Reading distance up to 310mm
- Integrated decoder
- High-resolution optics
- High scanning rate

Dimensioned drawing



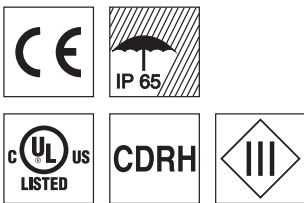
- A Optical axis
- B Mounting threads M4 - 4mm deep (4 x)
- C Laser beam
- D Rastering max. 3mm at a distance of 200mm
- E Optical beam path, approx. 15mm wide
- L Cable length approx. 0.9m

Electrical connection



- 1) DNC= Do Not Connect
- 2) NC = Not Connected
- 3) FE = Functional Earth (connected to metal sleeve)

We reserve the right to make changes • DS_BCL_148V340B_en_50130095.fm



Specifications

Optical data	
Light source	laser diode 650nm
Laser class	1 acc. to IEC 60825-1:2014 and 21 CFR 1040.10 with Laser Notice No. 56
Wavelength	650nm (visible red light)
Pulse duration	110µs
Max. output power (peak)	1.3mW
Scanning rate	750 scans/s
Reading distance	30mm ... 290mm for module width from 150µm, 30mm ... 310mm for module width from 200µm, 70mm ... 110mm for module width of 127µm
Reading field height	min. 60mm at reading distance from 30mm, min. 80mm at reading distance from 50mm
Focus response time	<250ms
Code specifications	
Code types	2/5 Interleaved Code 39 1) 2/5 IATA 2/5 Industrial UPC (A, E) EAN Code 128, EAN 128 1) Pharmacode Add-On (EAN) Codabar (5) 6.5 ... 20mil / (127) 167 ... 500µm
Module width (distance dependent)	
Print quality	ANSI X3, 123 or DIN EN 1635 class A, B
Pitch	10°
Electrical data	
Interface type	RS 232 or RS 485
Service interface	RS 232 with fixed data format, 8 data bits, no parity, 1 stop bit
Baud rate	110 ... 57,600Bd
Data formats	data bits: 7, 8, 9 parity: none, even, odd stop bits: 1, 2
Protocols	application specific
Ports	1 switching input 1 addressing
Operating voltage U_B 2)	18 ... 30VDC
Power consumption	max. 9W
Mechanical data	
Weight	615g
Dimensions (HxWxD)	119x71x38mm
Fastening	4 holes M4
Housing	diecast zinc
Optics cover	glass
Connection type	approx. 0.9m cable with 15 pin Sub-D connector
Environmental data	
Ambient temperature (operation)	+5°C ... +40°C
Air humidity	10 ... 85% rel. humidity, non-condensing
VDE safety class	III
Protection class	IP 65
Certifications	UL 60950-1, CSA C22.2 No.60950-1-07 2)

1) Presetting, number of digits: 2 ... 63

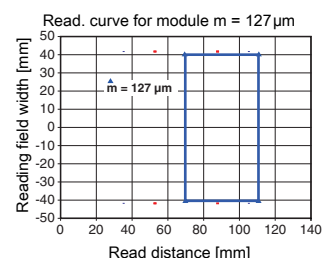
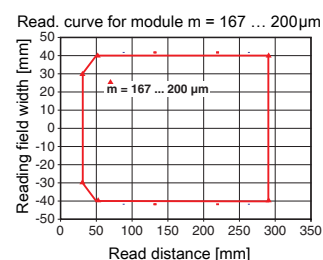
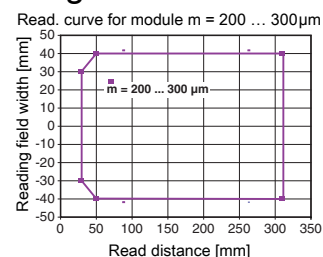
2) For UL applications: for use in class 2 circuits according to NEC only

Order guide

Type	Description	Part no.
BCL 148 V 340 B	Single line scanner, RS 232 or RS 485 interface, 310mm reading distance	50131538

Tables

Diagrams



Remarks

Operate in accordance with intended use!

- ⚠ This product is not a safety sensor and is not intended as personnel protection.
- ⚠ The product may only be put into operation by competent persons.
- ⚠ Only use the product in accordance with the intended use.



ATTENTION

Supplied by LPS/NEC
Class 2 only!

Laser safety notices**CAUTION - LASER RADIATION - CLASS 1 LASER PRODUCT**

The device satisfies the requirements of IEC/EN 60825-1:2014 for a product of **laser class 1**. Complies with 21 CFR 1040.10 except for conformance with IEC 60825-1 Ed. 3., as described in Laser Notice No. 56, dated May 8, 2019.

↳ Observe the applicable statutory and local laser protection regulations.

↳ The device must not be tampered with and must not be changed in any way.

There are no user-serviceable parts inside the device.

Repairs must only be performed by Leuze electronic GmbH + Co. KG.