

MPOT POTENTIOMETER MODULE

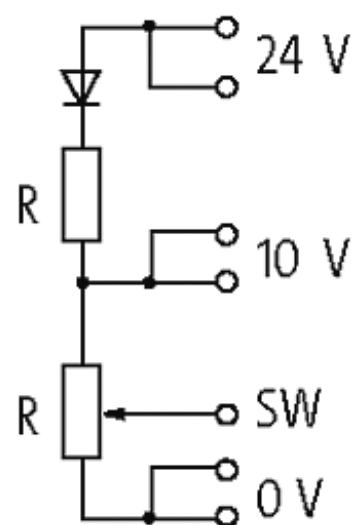
10K-Ohm/270 degree

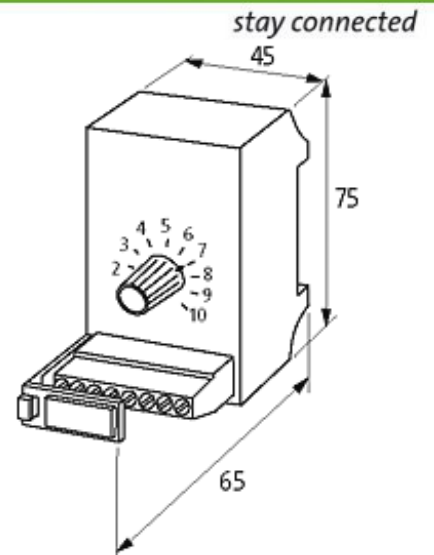
270° potentiometer
10 kOhm

The 10-turn potentiometer has a decimal scale and locking lever

[Link to Product](#)

Illustration





Product may differ from Image

Technical Data

Resistance tolerance	±20 %
Linearity	±3 %
Power: potentiometer	1 W
Power: resistor	0.25 W

General data

Mounting method	DIN-rail mountable (EN 60715)
Temperature range	0...+60 °C
Dimensions H × W × D	75×45×65 mm

Description

Functional description	The potentiometer modules are fitted with standard values. They are available as 270° potentiometer and as 10-turn potentiometer with fine adjustment. They can be operated with 10 V DC or 24 V DC. A resistor reduces the voltage so that a 24 V DC voltage c
------------------------	---

Commercial data

country of origin	CZ
customs tariff number	85334010
minimum order quantity	1