

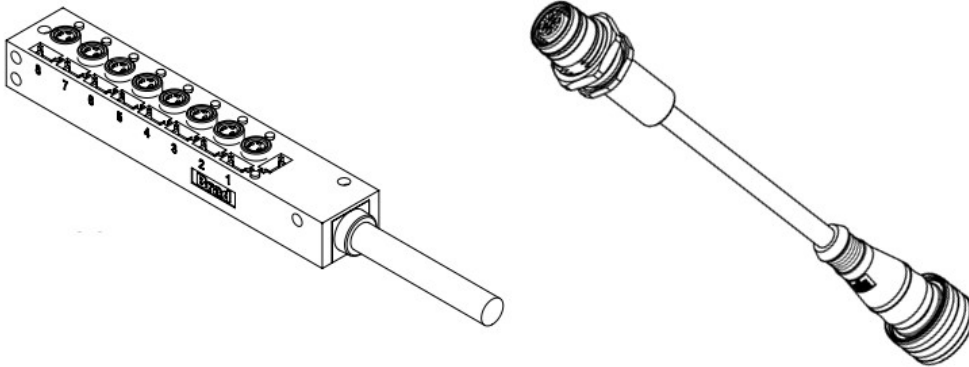


Product Change Notification

Date Issued :	July 19, 2022	PCN Number :	511741
Reason for Change :	Change to Product		
Description of Change :	This letter is to inform you that our supplier about the additive they use in the Wevo product, they have problem with availability. It informs us about adding a second source for this ingredient. There'll be no negative impact to product performance as a result of this change.		
Reason for Short Notice :	Special Request		
Assessment of Change :	First Article Inspection		
Planned Implementation Date :	July 29, 2022		
Sample Availability Date:	July 19, 2022		
Internal Molex Qualification Date :	July 19, 2022		
Last date to request Samples by Customer :	July 22, 2022		
Traceability Code Markings / Date :	No special marking on the product or packaging		

Before Picture

An examples of the products where the material is used:



After Picture

Overview

- According to information from our supplier about the additive they use in the Wevo product, they have facing problem with availability. They adding a second source for this ingredient. No change in the final properties of the product were detected. The viscosity range will remain the same.

- Product Impact
 - No impact to fit, form or function of product itself

- Part Number Impact
 - see attached impacted parts list

RELEASED

You may address inquires regarding this PCN by clicking on the below link
mailto:pcn_coordinator@molex.com?subject=PCN_Notification:511741
or contact your Local Sales Engineer.

Note: While responding, please retain " PCN Notification : **PCN Notification: 511741** " in the e-mail Subject line for faster response.

[Molex, LLC](#)
2222 Wellington Court
Lisle, IL 60532
TEL (800) 786-6539
www.molex.com