

VSF3160

Stainless steel AISI 316L precision relief valve,
suitable for compressed air and gas



FEATURES

Stainless steel high precision relief valve for inlet pressure up to 700 mbar (10 psi).

Inlet and outlet connections 1/2" F in the body.

EN or ASME flanged connections available on request.

The relief valve opens when the inlet pressure increases above the set point initially regulated by the adjusting screw and it closes when the pressure goes down under the set point.

Set point pressure is controlled by a rubber diaphragm.

Available the ATEX 2014/34/EU version.

Brand $\text{CE} \text{ II 2 G c I I C T X}$

$\text{CE} \text{ II 2 D c I I C T X}$.

For use in potentially explosive atmospheres zones: 1, 21, 2, 22 (not in mines and zone 0).

The product complies with the directive 2014/68/EU PED.

SPECIFICATIONS

Relief valve weight: ~2,9 kg / ~ 6,4 lb

Working temperature: -20 °C ÷ +60 °C (-4 °F ÷ +140 °F) for standard version

Degree of protection: IP25

MATERIALS

Body: stainless steel AISI 316L

Bonnet: stainless steel AISI 316L

Internal parts: stainless steel AISI 316L

Adjusting spring: AISI 302 (not in contact with the fluid)

O-Rings: FPM (alternative compounds available on request)

Diaphragm: NBR + PTFE (PTFE in contact with the fluid)

Main valve gasket: FPM (alternative compounds available on request)

ACCESSORIES

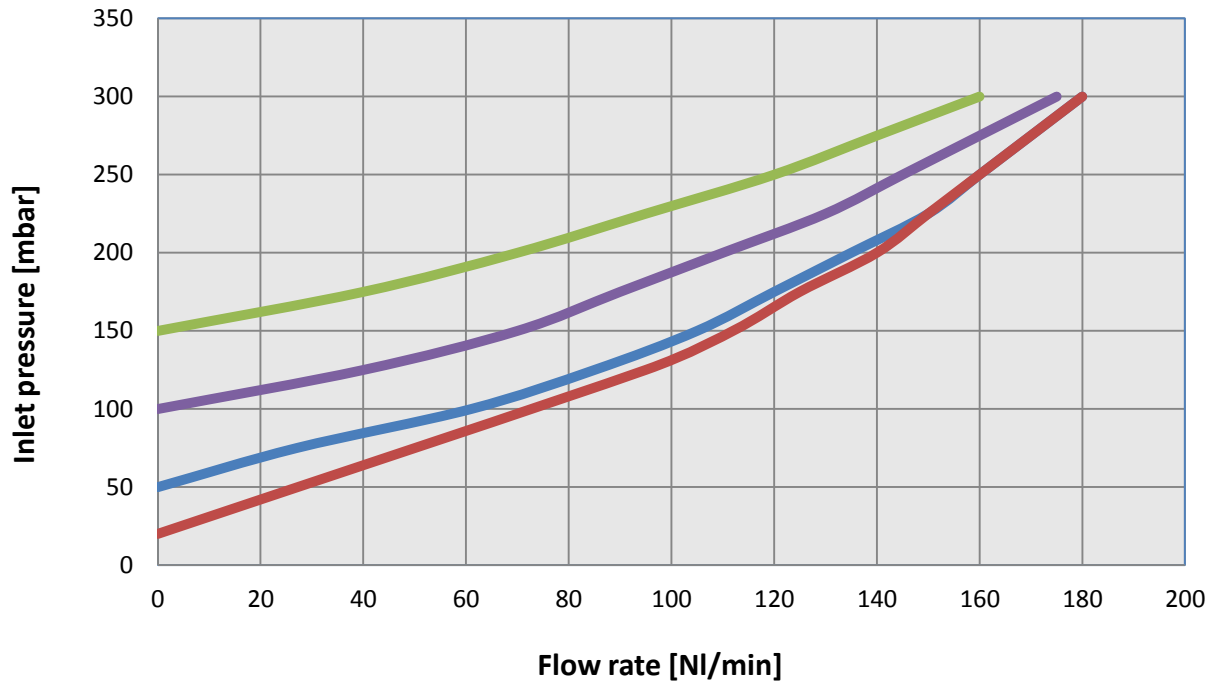
Wall mounting bracket

SPARE PARTS

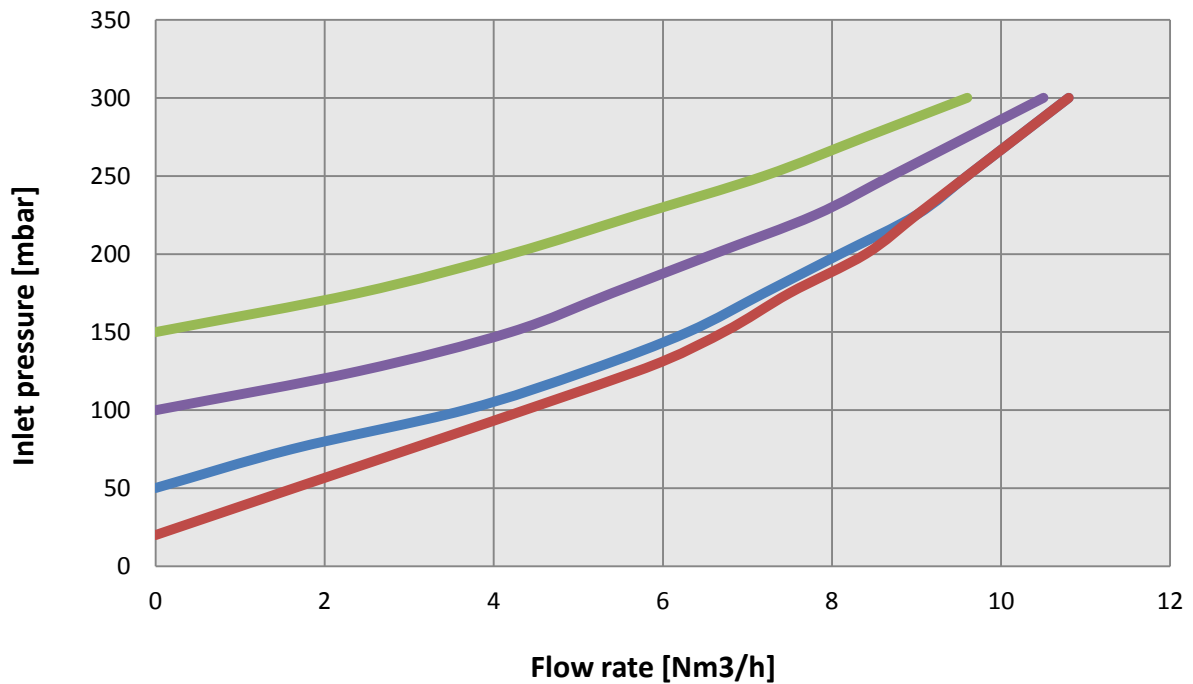
Complete kit: main valve + O-rings

flow charts

VSF 3160 B - Relief pressure 20÷200 mbar - Air



VSF 3160 B - Relief pressure 20÷200 mbar - Air



generating the product code

Valvole di sfioro Alta Pressione AISI 316L			
AA BB CC D EE			
AA	Attacchi / Connections	P0	G 1/2-F
BB	Intervallo d'uscita/ Outlet range	N0	MOD A2 P Sfiore 5 - 45 mbar
		P0	MOD B2 P Sfiore 20 - 200 mbar
		Q0	MOD C2 P Sfiore 150 - 700 mbar
CC	Tipologia di fluido/ Fluid type	98	EPDM
		99	FPM
D	Marchiato / Marked	I	ID
		Z	Dir ATEX 2014/34/EU
EE	Accessori/Accessories	00	Nessun accessorio

CODE COMPOSITION EXAMPLE

V3160# P0 P0 98 I 00

V3160#: Relief valve VSF3160 AISI316 08

P0: Connections G 1/2 – F

P0: Relief pressure range 20 – 200 mbar

98: EPDM gaskets

I: Insert Deal

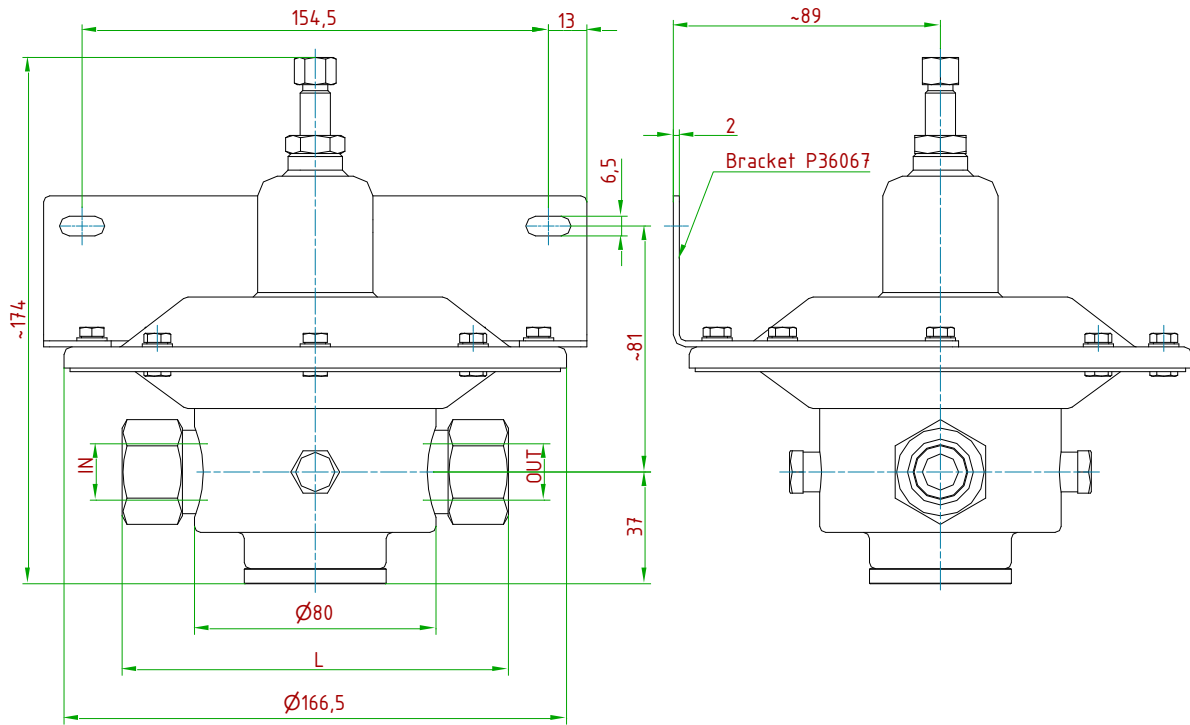
00: No accessories

technical drawings (all dimensions in [mm])

Bracket to be ordered separately, kit order number: M11203

TYPE	IN/OUT	L
VSF 3160 1/2"GF	G 1/2-F	80*
VSF 3160 1/2"NPT-F	1/2 NPT-F	128

* PORTS IN THE BODY



ID Insert Deal Srl

Strada dei Boschi, 40
20852 Villasanta (MB) Italia
tel. +39 039 30 2035
info@idinsertdeal.com
www.idinsertdeal.com

ID Insert Deal si riserva il diritto di cambiare le specifiche del prodotto senza preavviso.
ID Insert Deal reserves the right to change and/or modify product specifications without prior notice.

Insert Deal non si assume alcuna responsabilità per la scelta, uso e manutenzione di qualsiasi prodotto. La responsabilità per l'ideale scelta, uso e manutenzione di qualsiasi prodotto ID rimane interamente a carico dell'acquirente.
Insert Deal does not assume responsibility for selection, use and maintenance of any products. Responsibility for proper selection, use and maintenance of any ID products remains entirely to the purchaser.

Riproduzione vietata. Tutti i diritti riservati; nessuna parte del presente documento può essere riprodotta senza autorizzazione di ID Insert Deal Srl.
Reproduction forbidden. All rights reserved; the hereby document can't be reproduced, also partially, without the authorization of ID Insert Deal Srl.

RELIEF VALVE_V3160(VSF3160)_EN_03



Azienda con sistema di gestione qualità certificato.
certificato N° 50 100 9191
Company with certificated quality management system.
certificate N° 50 100 9191