



SANDVIK BELZER

Combination spanner, offset Inch

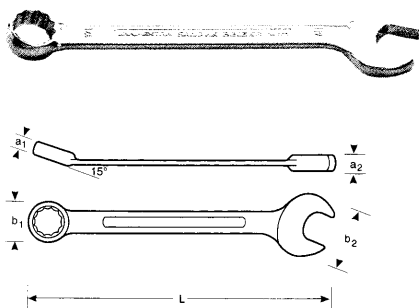
DIN 3113/ISO 3318

Finish: nickel and chrome-plated, fine-polished.

Material: VANADIUM-EXTRA.

Open-end angle 15°, box end 15° offset, equal openings at both ends, short type. Dynamic-Drive-Profile.

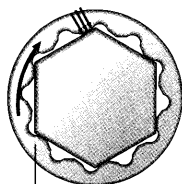
111Z



Product code	EAN code 731415+		Dim. inch	L mm	a ₁ x a ₂ mm	b ₁ x b ₂ mm	
111Z-1/4	1828943	5	1/4	105	5 x 3,2	10 x14	12
111Z-5/16	1828950	5	5/16	110	5,6x 3,5	12 x18	18
111Z-3/8	1828967	5	3/8	120	6 x 3,8	14 x20	25
111Z-7/16	1828974	5	7/16	135	6,6x 4,2	16,5x23	30
111Z-1/2	1828981	5	1/2	150	7,4x 4,7	19 x27	50
111Z-9/16	1828998	5	9/16	168	8,2x 5,3	21 x31	65
111Z-5/8	1829001	5	5/8	178	8,8x 5,6	23,4x34	75
111Z-11/16	1829018	5	11/16	188	9,4x 6,0	25,4x37	85
111Z-3/4	1829025	5	3/4	210	10 x 6,3	27,6x40	120
111Z-13/16	1829032	5	13/16	232	11 x 7,0	30 x43	165
111Z-7/8	1829049	5	7/8	255	12 x 7,7	32 x48	210
111Z-15/16	1829056	3	15/16	280	13 x 8,4	34,4x50	260
111Z-1	1829063	3	1	280	13 x 8,4	36,6x51	260

Dynamic-Drive-Profile

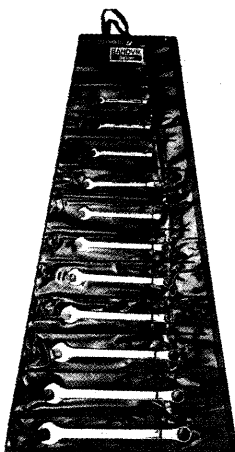
Low surface pressure due to large force-applying surfaces



No notching sensitivity

111Z-Set

In blue plastic wallet.



Product code	EAN code 731415+		No. units	Dim. inch	
111Z/8T	1829117	1	8	3/8 7/16 1/2 9/16 5/8 11/16 3/4 7/8	660
111Z/11T	1829124	1	11	3/8 7/16 1/2 9/16 5/8 11/16 3/4 13/16 7/8 15/16 1	1660





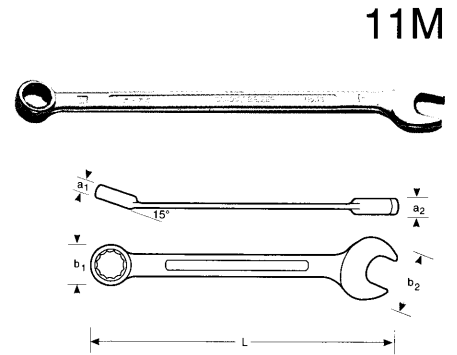
Combination
spanner, offset,
long type
Metric

Finish: nickel and chrome-plated, fine-polished.
Material: VANADIUM-EXTRA.

Open-end angle 15°, box end 15° offset, equal openings at both ends, long type.
Dynamic-Drive-Profile.

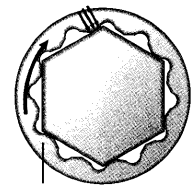
Sizes 41 mm thru 60 mm please see 1952M.

Product code	EAN code 731415+		Dim. L		a ₁ x a ₂ mm	b ₁ x b ₂ mm	
			mm	mm			
11M-8	1829131	5	8	180	7,5x 4	13 x 22	45
11M-9	1829148	5	9	180	7,5x 4	14,5x 22	45
11M-10	1829155	5	10	200	8,5x 5	16 x 26	65
11M-11	1829162	5	11	200	8,5x 5	17,5x 26	65
11M-12	1829179	5	12	225	9,8x 6	19 x 29	100
11M-13	1829186	5	13	225	9,8x 6	20 x 29	100
11M-14	1829193	5	14	250	11,4x 7	22 x 33	150
11M-15	1829209	5	15	250	11,4x 7	23 x 33	150
11M-16	1829216	5	16	280	12,8x 8	24,5x 36	210
11M-17	1829223	5	17	280	12,8x 8,2	26 x 39	210
11M-18	1829230	5	18	280	13 x 8,2	27 x 40	210
11M-19	1829247	5	19	310	14,5x 8,2	29 x 43	290
11M-21	1829254	5	21	310	14,5x 9,5	31 x 44,5	290
11M-22	1829261	5	22	350	16,4x10,8	33 x 49	410
11M-24	1829278	5	24	400	18,4x11,8	36 x 53	560
11M-27	1829285	1	27	450	20,5x13	40 x 59	750
11M-30	1829292	1	30	500	22,5x14	44,5x 67	1000
11M-32	1829308	1	32	500	22,5x14	47 x 67	1000
11M-36	1829315	1	36	550	24,5x15	52 x 77	1380
11M-38	1829322	1	38	550	24,5x15	55 x 79	1380



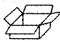

Dynamic-Drive-Profile

Low surface pressure due to large force-applying surfaces



No notching sensitivity

In attractive sales cardboard box.

Product code	EAN code 731415+		No. units	Dim. mm											
				8	9	10	11	13	14	17	19				
11M/S8	1829384	1	8	8	9	10	11	13	14	17	19		1050		

11M-Set

