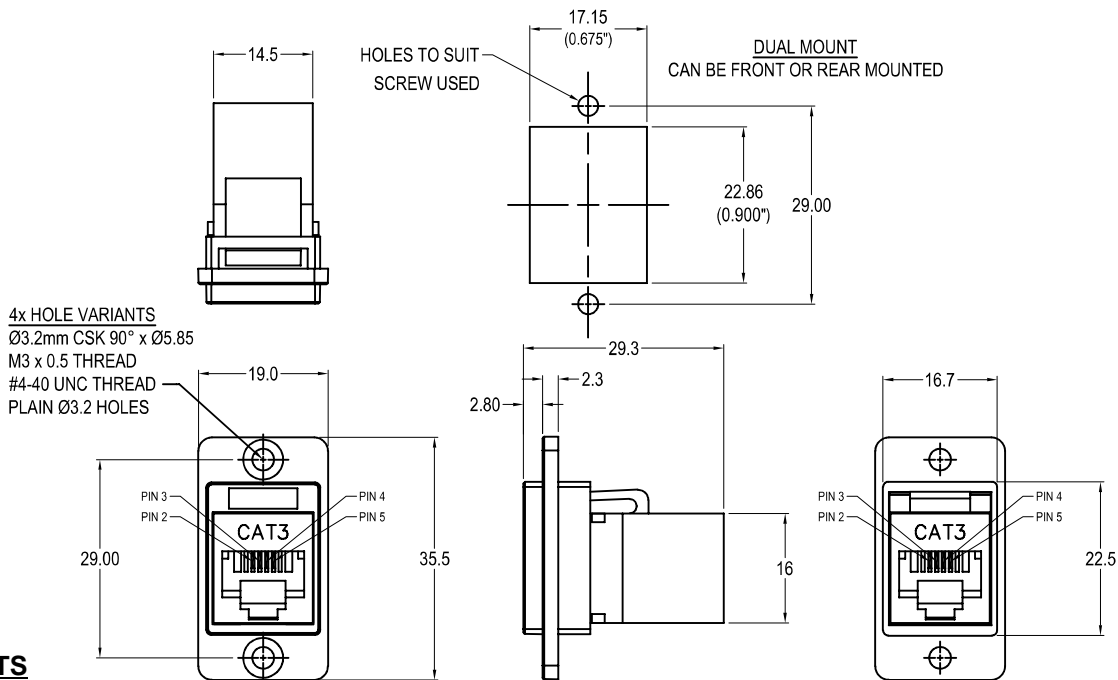


CLIFF

DUALSLIM CAT3 RJ11 6P4C METAL FRAME FEEDTHROUGH CONNECTOR

Can be front or rear mounted in the panel



VARIANTS

Part No.

- CP30723M** DUALSLIM Cat3 RJ11 6P4C Nickel frame, CSK holes
- CP30723MB** DUALSLIM Cat3 RJ11 6P4C Black metal frame, CSK holes
- CP30723M3** DUALSLIM Cat3 RJ11 6P4C Nickel frame, M3 holes
- CP30723MB3** DUALSLIM Cat3 RJ11 6P4C Black metal frame, M3 holes
- CP30723M440** DUALSLIM Cat3 RJ11 6P4C Nickel frame, #4-40 holes
- CP30723MB440** DUALSLIM Cat3 RJ11 6P4C Black metal frame, #4-40 holes
- CP30723MX1** DUALSLIM Cat3 RJ11 6P4C Nickel frame, Ø3.2 PLAIN holes
- CP30723MBX1** DUALSLIM Cat3 RJ11 6P4C Black metal frame, Ø3.2 PLAIN holes

Feedthrough Features

- Fits standard rectangular cutout.
- Front or rear mounting through the panel.
- Various hole mounting options.
- No soldering or punch termination. Use standard cable for each connector style.
- Low rear profile.

General:

Please note: Functionality is affected by cable quality, length and cable wiring configuration.

Material:

1. RJ11 In-Line Coupler:
PC/ABS, UL 94V-0, Black colour
2. RJ11 In-Line Coupler Contact:
Phosphor Bronze, 3-50 micro inches gold plating over nickel plate.
3. PCB: FR4, UL 94V-0
4. Frame: Diecast, Nickel or Black plated

Performance:

1. Operating temperature: Min -10°C Max +60°C