

# RES80 Chassis Mounted Filter

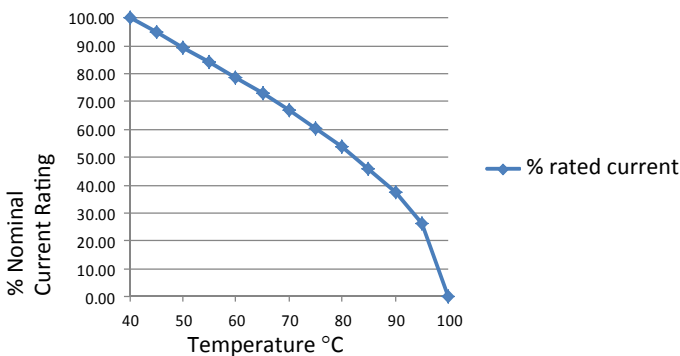
## Multi-Stage, High Differential and High Common Mode

The RES80 series of multi-stage EMC filters from Roxburgh are designed for quick and easy chassis mounting. Featuring high differential mode and high common mode attenuation, this series has good low frequency attenuation.

These general purpose filters are suitable for a broad range of applications including noisy environments where increased filter performance is required.



Temperature Derating Curve for EMC Filters  
Rated at 40°C Ambient and 100°C Maximum



Call us on:  
**+44 (0) 1724 273200**

### Features:

- Multi-stage
- High differential and high common mode attenuation
- Good low frequency attenuation
- UL approved E191581
- For use from DC to 400Hz

### Benefits:

- Compact size for rated current
- Fast-on, screw or wire terminations
- Quick and Easy Mounting
- Available from UK Stock

### Application Examples:

- Lighting
- Drives
- Electrical and electronic equipment
- Consumer goods
- Household equipment
- Building automation
- Machinery
- Electronic data/communication processing equipment
- Office automation

**Full technical specification on page 2**

**Performance curves on page 3**

**Other options in this range on page 4**

### DEM Manufacturing

Deltron Emcon House  
Hargreaves Way  
Sawcliffe Industrial Park  
Scunthorpe, North Lincolnshire.  
DN15 8RF

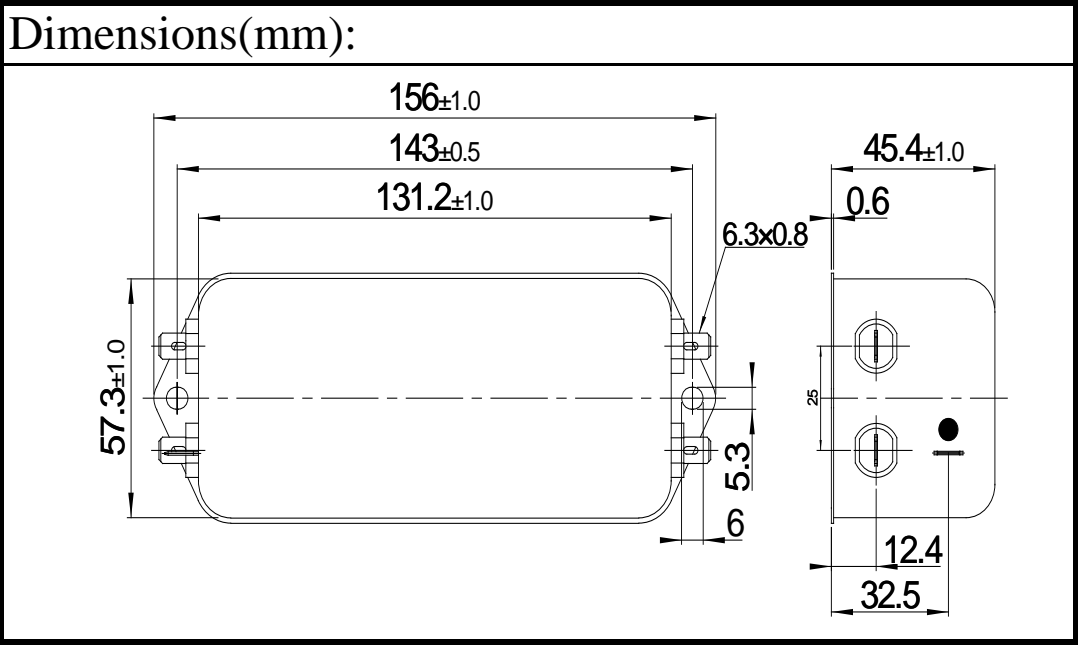
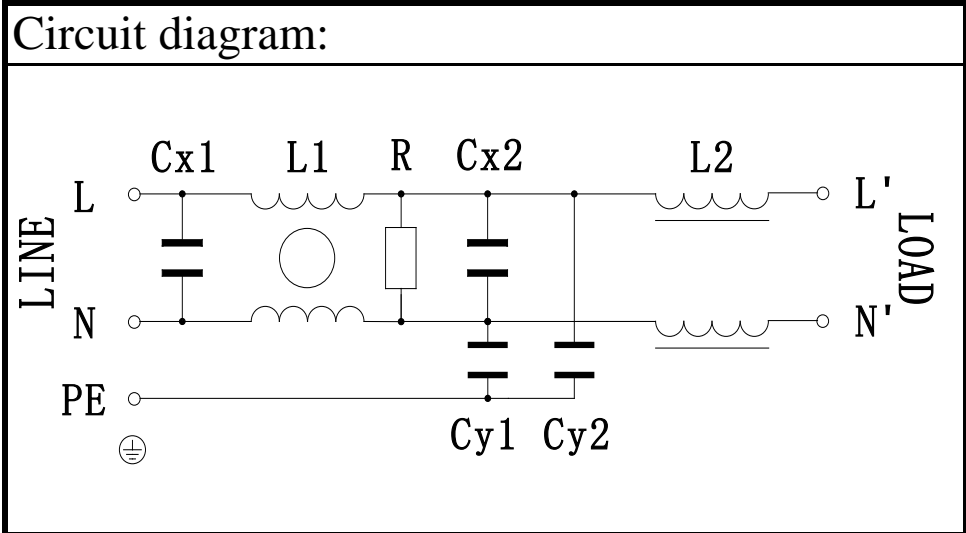
**ROXBURGH EMC**



Tel: +44 (0) 1724 273200

Email: [sales@dem-uk.com](mailto:sales@dem-uk.com)

Web: [www.dem-uk.com/roxburgh](http://www.dem-uk.com/roxburgh)



**Electrical parameters:**

Rated Voltage:	120/250VAC
Rated Current at an ambient temp:	12A@40°C
Operating Frequency:	50/60Hz
Climatic Class(IEC60068-1):	25/100/21
Operational Leakage current: (at 250VAC/50Hz and Total C +/-20%)	0.8mA max (RES80F12-M 0mA)
Operational Leakage current: (at 120VAC/60Hz and Total C +/-20%)	0.46mA max (RES80F12-M 0mA)
Test Voltage(100%)for 2 sec:	L-N:
	L/N-PE:

**Filter parameters:**

Total Inductance(L-L'/N-N'):	3.3mH +50%,-35%
Total Capacitance(L-N/L'-N'):	2uF +/-20%
Total Capacitance(L/N-PE) (RES80F12-M):	9.4nF +/-20% (0nF)
Total Resistance(L-N/L'-N'):	220KΩ +/-10%
Weight(Approximate):	650g

Safety certification				Technical Specification		
UL	<input checked="" type="checkbox"/>	CSA	<input checked="" type="checkbox"/>	compiled by	Jay Zhang	2020-8-5
ENEC	<input checked="" type="checkbox"/>	CQC	<input type="checkbox"/>	reviewed by	Pallas Wang	2020-8-5
CE	<input checked="" type="checkbox"/>	VDE	<input type="checkbox"/>	approved by	Henry Huang	2020-8-5

**ROXBURGH EMC**  +44 (0)1724 273200  
sales@dem-uk.com  
www.dem-uk.com/roxburgh

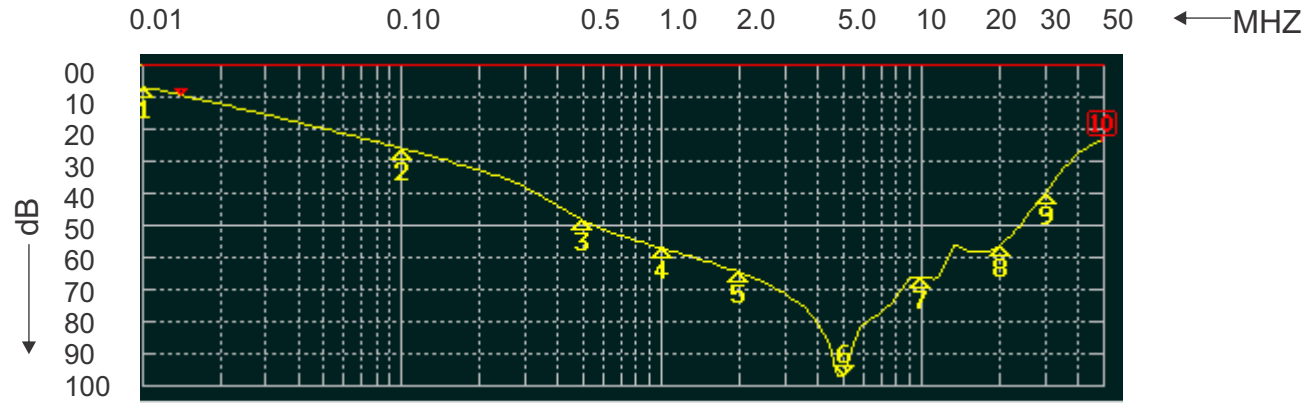
Part **RES80F12**  
Number (Alternate RES80F12-M - no Y caps)

single-phase emc filter  
stage marker V1.03

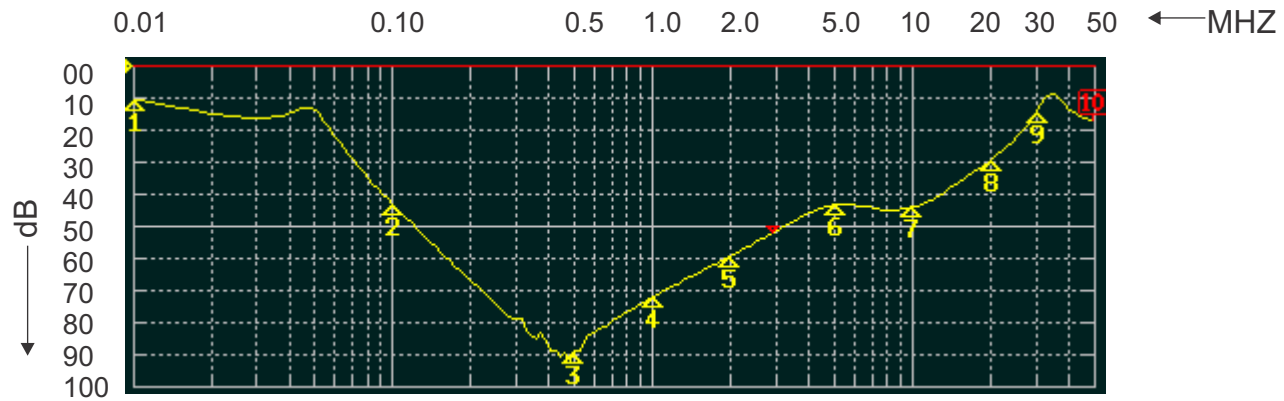
# ROXBURGH EMC

## FILTER INSERTION LOSS CHARACTERISTICS CISPR 17 - 50 OHM METHOD

### RES80F12



COMMON MODE



DIFFERENTIAL MODE



# RES80 Chassis Mounted Filter

## Multi-Stage, High Differential and High Common Mode

### Options Available:

Part Number	Rated Current	Leakage Current @	Inductance	Capacitance	Capacitance	Resistance	Connection Type		
	@40°C	230V/50Hz	$\Sigma L$	$\Sigma C_x$	$\Sigma C_y$	$\Sigma R$			
	A	mA	mH	$\mu F$	nF	K $\Omega$			
RES80F01	1	0.73	22.4	0.66	9.4	1000	F	W	
RES80F03	3	0.73	9.96	0.94	9.4	470	F	W	
RES80F06	6	0.73	7.91	2	9.4	220	F	W	
RES80F10	10	0.73	4.56	2	9.4	220	F	W	
RES80F12	12	0.73	3.30	2	9.4	220	F	W	
RES80F16	16	0.73	2.84	2	9.4	220	F	W	S



Call us on:  
**+44 (0) 1724 273200**



**DEM Manufacturing**  
 Deltron Emcon House, Hargreaves Way, Sawcliffe Industrial Park,  
 Scunthorpe, North Lincolnshire, DN15 8RF

Tel: +44 (0) 1724 273200  
 Email: [sales@dem-uk.com](mailto:sales@dem-uk.com)  
 Web: [www.dem-uk.com/roxburgh](http://www.dem-uk.com/roxburgh)