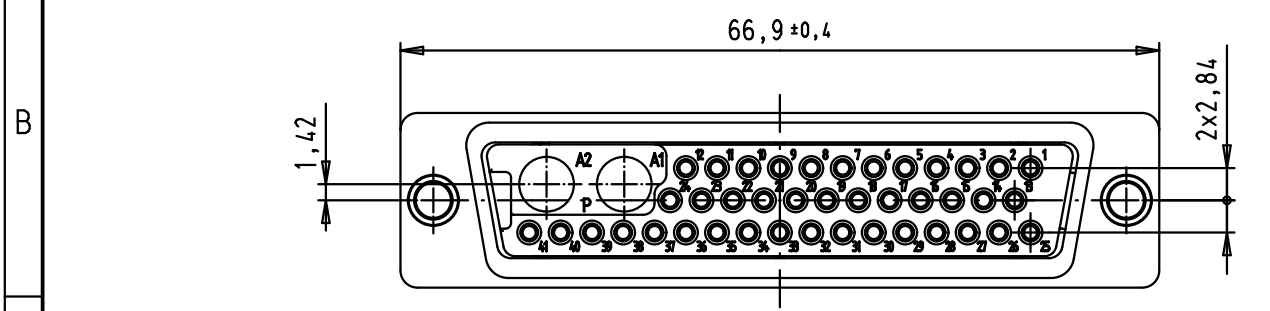
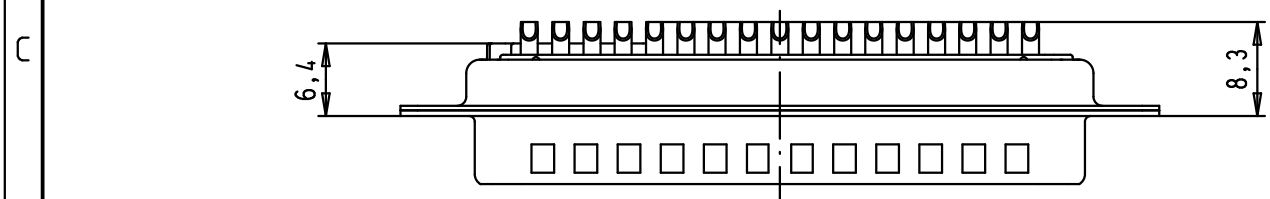




AWG 20 max for solder buckets.



09 69 511 7432	PL3
09 69 511 5432	S4
Part number	Performance level

			Dot.	Name	 All Dim. in mm Orig. Size DIN A 4	
			Detail.	14/06/10		SC
			Insp.			
			Stand.			
EC01967	14/06/10	SC	HARTING EURL F-95972 Paris			
Mod.	Dot.	Name				

D-Sub, 43W2, male, straight, solder buckets, tin plated shell with dimples, through holes	Maßstab/ Scale 1,5:1
TB 09 69 511 X432	Blatt/ Page 1 / 1
Sub.	