



Relays, Contactors & Switches > Relays > Relay Accessories, Sockets & Clips



Relay Accessory, Socket & Clip Product Type: **Accessory**

Grounding Provision: **Without**

Relay Accessory, Socket & Clip Body Material: **Polyamide, Polyphenylenether**

Relay Accessory, Socket & Clip For Use With: **Multimode Relays**

Relay Accessory Type: **Function Module**

## Features

### Product Type Features

Relay Accessory, Socket & Clip Product Type	Accessory
Relay Accessory Type	Function Module

### Configuration Features

Grounding Provision	Without
---------------------	---------

### Body Features

Relay Accessory, Socket & Clip Body Material	Polyamide, Polyphenylenether
--	------------------------------

### Operation/Application

Relay Accessory, Socket & Clip For Use With	Multimode Relays
---	------------------

### Other

Comment	Multi-Function
---------	----------------

## Product Compliance

[For compliance documentation, visit the product page on TE.com>](#)

EU RoHS Directive 2011/65/EU	Compliant
EU ELV Directive 2000/53/EC	Compliant
China RoHS 2 Directive MIIT Order No 32, 2016	No Restricted Materials Above Threshold
EU REACH Regulation (EC) No. 1907/2006	Current ECHA Candidate List: JAN 2021 (211)



Candidate List Declared Against: JAN 2021 (211)

Does not contain REACH SVHC

Halogen Content

Low Halogen - Br, Cl, F, I < 900 ppm per homogenous material. Also BFR/CFR/PVC Free

Solder Process Capability

Not applicable for solder process capability

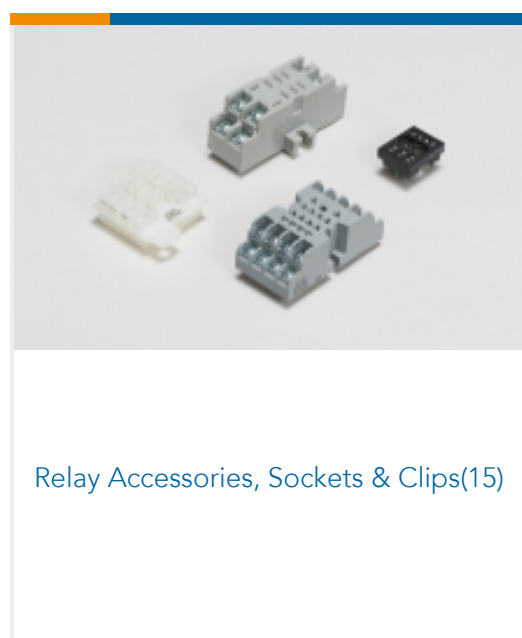
Product Compliance Disclaimer

This information is provided based on reasonable inquiry of our suppliers and represents our current actual knowledge based on the information they provided. This information is subject to change. The part numbers that TE has identified as EU RoHS compliant have a maximum concentration of 0.1% by weight in homogenous materials for lead, hexavalent chromium, mercury, PBB, PBDE, DBP, BBP, DEHP, DIBP, and 0.01% for cadmium, or qualify for an exemption to these limits as defined in the Annexes of Directive 2011/65/EU (RoHS2). Finished electrical and electronic equipment products will be CE marked as required by Directive 2011/65/EU. Components may not be CE marked. Additionally, the part numbers that TE has identified as EU ELV compliant have a maximum concentration of 0.1% by weight in homogenous materials for lead, hexavalent chromium, and mercury, and 0.01% for cadmium, or qualify for an exemption to these limits as defined in the Annexes of Directive 2000/53/EC (ELV). Regarding the REACH Regulation, the information TE provides on SVHC in articles for this part number is based on the latest European Chemicals Agency (ECHA) 'Guidance on requirements for substances in articles' posted at this URL: <https://echa.europa.eu/guidance-documents/guidance-on-reach>

### Compatible Parts



### Also in the Series | **SCHRACK Accessories Multimode Relay MT**



### Customers Also Bought



TE Part #1-66504-0  
D-Sub Conn Contacts: Socket, Phosphor Bronze, Signal, Size 20



TE Part #1415035-1  
MT78750



TE Part #2-1419106-5  
27E893=SOCKET,KU,11,OC,POLY,NA-



TE Part #1393092-8  
MT328230



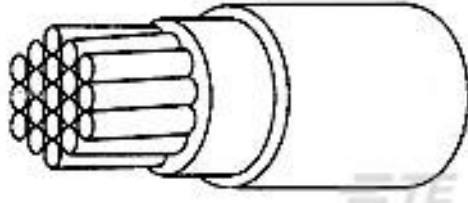
TE Part #1393092-4  
MT328024



TE Part #2-1393793-4  
AXICOM D2N SENSITIVE



TE Part #E39668-000  
B-155-13



TE Part #1139353001  
100G0111-0.50-0



TE Part #2-1437720-3  
T01-0599-B03-B=INDUSTRIAL CONN



TE Part #1623895-1  
416X 100R

## Documents

### CAD Files

3D PDF

3D

Customer View Model

[ENG\\_CVM\\_CVM\\_7-1393163-3\\_A1.2d\\_dxf.zip](#)

English

Customer View Model

[ENG\\_CVM\\_CVM\\_7-1393163-3\\_A1.3d\\_igs.zip](#)

English

Customer View Model

[ENG\\_CVM\\_CVM\\_7-1393163-3\\_A1.3d\\_stp.zip](#)

English

By downloading the CAD file I accept and agree to the [Terms and Conditions](#) of use.

### Datasheets & Catalog Pages

[Accessories - Power Relay MT](#)

English

[Industrial Relays Quick Reference Guide](#)

English



## Industrial Relays Quick Reference Guide

Japanese

## Industrial Relays Quick Reference Guide

---

### Product Specifications

Definitions, Handling, Processing, Testing and Use of Relays

English

---

### Agency Approvals

CE Declaration of Conformity

English