

VECO VANSONIC ENTERPRISE CO., LTD.

8F., No. 7, Lane 16, Sec. 2, Szechwan Road, Panchiao, Taipei Hsien, TAIWAN.

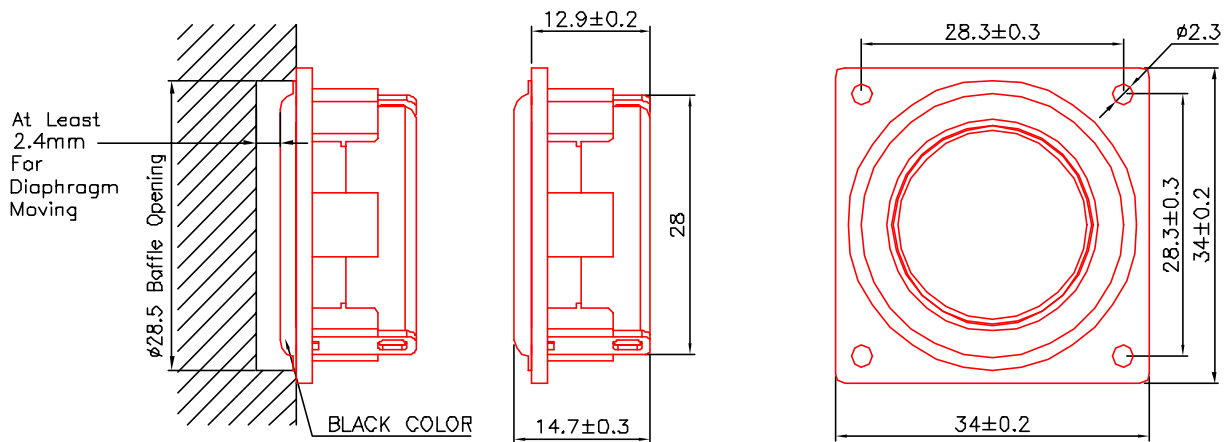
TEL: +886-2-29626335

FAX: +886-2-29625220

E-MAIL: vansonic@ms4.hinet.net

1.	MODEL:	34KC08-1			
2.	Dimension	Outer Diameter	34x34 mm.	Baffle Opening	φ28.5 mm.
		Height	Refer to Drawing	Weight	26.6 Grams.
3.	Magnet	Materials	Rare Earth	Size	φ 19 x 3.4 mm.
4.	Nominal Resistance	8 Ω ± 15 %			
5.	Power Rating	Normal	3 W.	Maximum	5 W.
6.	Lowest Resonant Frequency	170 ± 20 %	Hz.		
7.	Output Sound Pressure Level (S.P.L.)	82 ± 3 db / 1.0 Watt . 0.5 Meter.			
		Average at	600, 800, 1000, 1200	Hz.	
8.	Frequency Range	120 ~ 20000 Hz.	Average SPL - 10 db.		
9.	Distortion	5 % Maximum At	1000 Hz.	1 W.	
10.	Abnormal Sound Test	Must be Normal Tested By		4.9 Volts.	Sine Wave.
11.	Load Test	White Noise with Weighted Filter		4.9 Volts.(RMS)	24 Hrs.
12.	Polarity	Diaphragm shall move Forward when Apply a Positive DC.			
		Current to the "+" or "Marked" Terminal.			

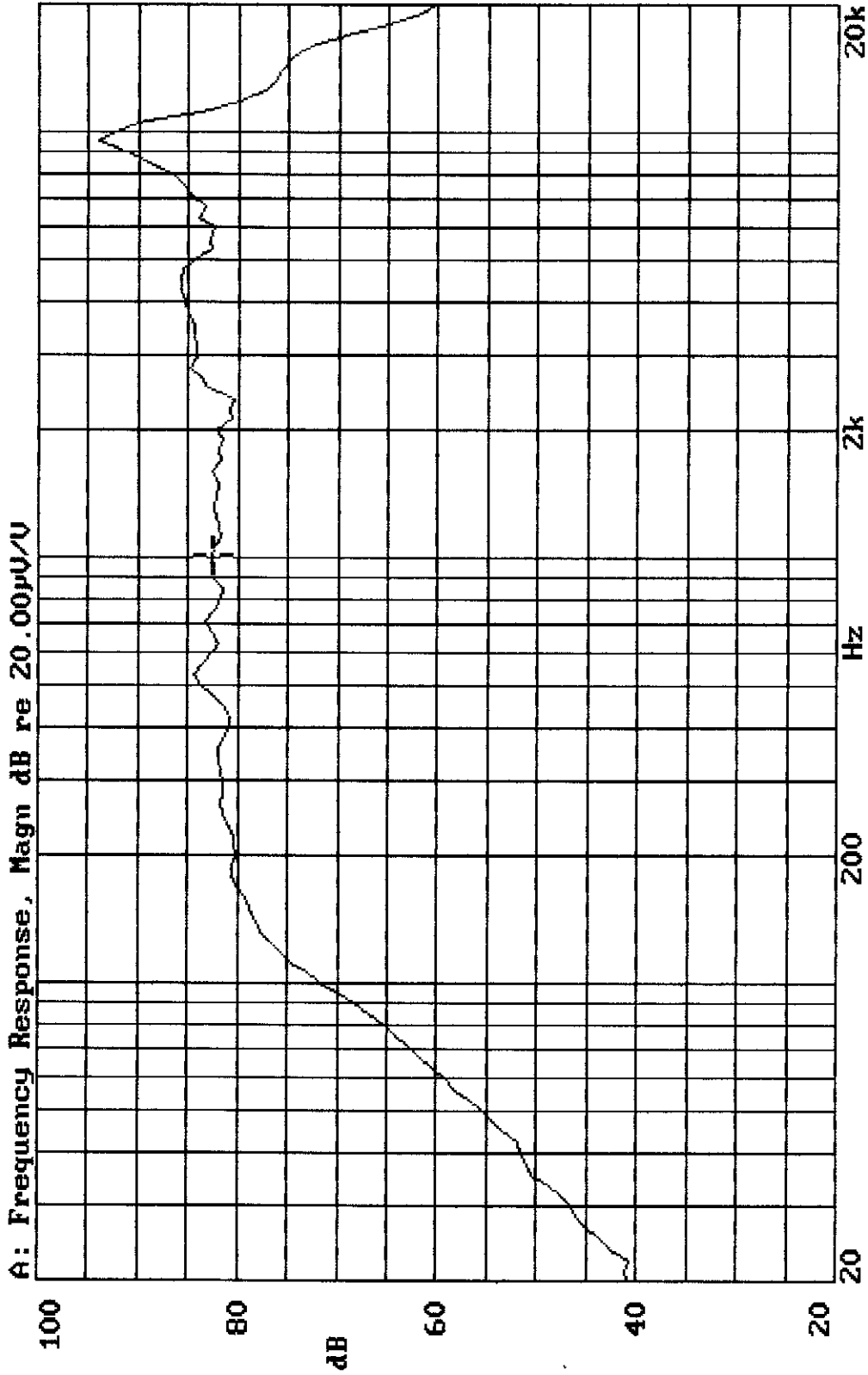
MOUNTING NOTICE



Unit : mm

Housing Material : PBT

34KC08-1 VOL:2.828V(1W) DIS:0.5M VANSONIC
X:1.0000kHz *Y:82.63dB ZA:1.0000 SSR Fund.



14-AUG-2001 15:20:24

Mode: SSR

