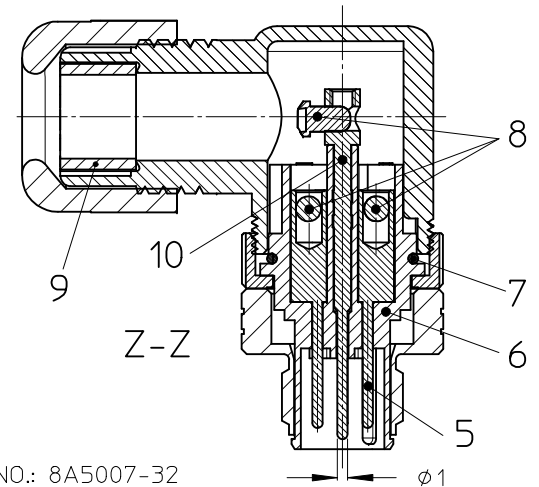
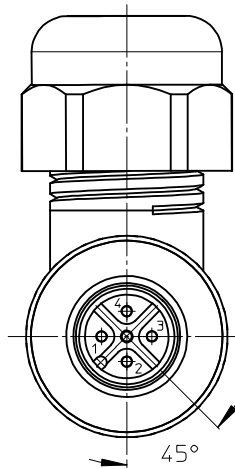
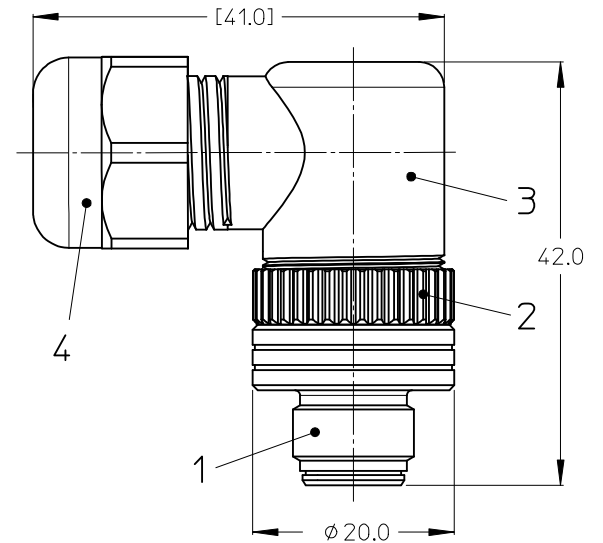
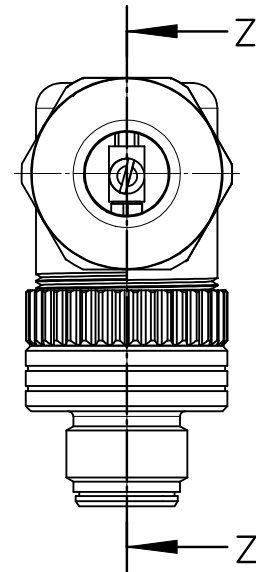
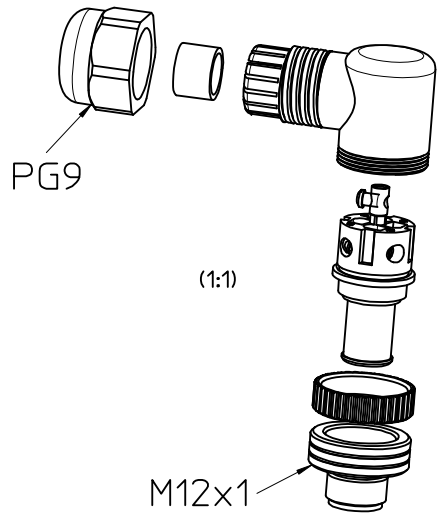


10 9 8 7 6 5 4 3 2 1



| ITEM | QTY | DESCRIPTION       | MATERIAL               | FINISH     |
|------|-----|-------------------|------------------------|------------|
| 10   | 1   | MALE CONTACT LONG | COPPER ALLOY           | AU         |
| 9    | 1   | STP GROMMET       | NITRILE RUBBER (BLACK) | -          |
| 8    | 5   | SCREW M2.5x5.2    | BRASS                  | NI         |
| 7    | 1   | O-RING            | NBR 70                 | -          |
| 6    | 1   | MALE INSERT, 4P   | PA (BLACK)             | -          |
| 5    | 4   | MALE CONTACT PIN  | COPPER ALLOY           | AU OVER NI |
| 4    | 1   | HUT NUT           | POLYAMIDE (BLACK)      | -          |
| 3    | 1   | MALE HSG RA PG9   | POLYAMIDE (BLACK)      | -          |
| 2    | 1   | LOCK RING         | ULTRAMID (BLACK)       | -          |
| 1    | 1   | COUPLING NUT      | BRASS                  | NI         |

Notes:

- ELECTRICAL RATINGS:  
CURRENT: 4AMP MAX  
VOLTAGE: 250V AC/ 300V DC
- MECHANICAL:  
TEMPERATURE RANGE: -25° TO +90°C  
INGRESS PROTECTION: IP 67

ENG.-NO.: 8A5007-32

|   |                               |                                       |            |                            |   |                     |                        |                        |  |  |
|---|-------------------------------|---------------------------------------|------------|----------------------------|---|---------------------|------------------------|------------------------|--|--|
| <b>ENTER DESCRIPTION</b><br>EC NO: IPG2013-1023<br>DRW:RSCHIEBER 2013/01/16<br>CHKD:APOHL 2013/01/16<br>APPR:CBURGER 2013/01/29 | QUALITY SYMBOLS<br>▽=0<br>◻=0 | GENERAL TOLERANCES (UNLESS SPECIFIED) |            | DIMENSION STYLE<br>MM ONLY |   | SCALE<br>2:1        | DESIGN UNITS<br>METRIC | THIRD ANGLE PROJECTION |  |  |
|   |                               | mm                                    | INCH       | DRAWN BY                   | DATE  | TITLE               |                        |                        |  |  |
|   |                               | 4 PLACES ± ---                        | ± ---      | RSCHIEBER                  | 2013/01/16  | FA M12 5P MA RA PG9 |                        |                        |  |  |
|   |                               | 3 PLACES ± ---                        | ± ---      | CHECKED BY                 | DATE  |                     |                        |                        |  |  |
| 2 PLACES ± 0.05   | ± ---                         | APOHL                                 | 2013/01/16 |                            |   |                     |                        |                        |  |  |
| 1 PLACE ± 0.10  | ± ---                         | APPROVED BY                           | DATE       | MATERIAL NO.               |   | DOCUMENT NO.        |                        | SHEET NO.              |  |  |
| 0 PLACE ± 0.05  | ± ---                         | CBURGER                               | 2013/01/29 | 1200710071                 |   | SD-120071-015       |                        | 1 OF 1                 |  |  |
| DRAFT WHERE APPLICABLE MUST REMAIN WITHIN DIMENSIONS  |                               |                                       |            | SIZE<br>A3                 | THIS DRAWING CONTAINS INFORMATION THAT IS PROPRIETARY TO MOLEX INCORPORATED AND SHOULD NOT BE USED WITHOUT WRITTEN PERMISSION |                     |                        |                        |  |  |

9 8 7 6 5 4 3 2 1