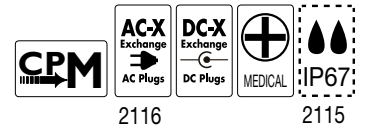


2116 - utskiftbare/exchangeable AC plugs

- Universal input voltage
- CPM-Computer Programmable Microprocessor offering:
 - Charge detection options (one or more):
 - dV, dT/dt, 0 dV, Timer
 - Safety timer, dV threshold, and Temperature gradient adjustment
- Exchangeable AC and DC plugs
- Custom specifications on request
- Approvals:
 - Medically certified (EN 60601)
 - UL approved (UL 60601-1)
 - For updates: see www.mascot.no
- Universal inngangsspenning
- CPM-Computer Programmerbar Microprosessor tilbyr:
 - Ladedeteksjonsvalg (en eller flere):
 - dV, dT/dt, 0 dV, Timer
 - Justering av sikkerhetstimer, dV nivå og temp. stigningsnivå
- Utskiftbare AC og DC plugger
- Tilpasninger leveres på forespørsel
- Godkjenninger:
 - Medisinsk sertifisert (EN 60601)
 - UL godkjent (UL 60601-1)
 - For oppdat.: se www.mascot.no



Technical specifications

Tekniske data

Input voltage:	Inngangsspenning:	90-264 VAC, 50-60Hz
Max. Output power:	Maks. utgangseffekt:	16W
Trickle charge current:	Vedlikeholdsladestrøm:	30mA +/-15mA 10-20 cell: 25mA +/-10mA
Leakage current f. batt. w mains off:	Strømtrekk fra batt v. frakobl. nett:	< 1mA
Start timer (no -dV detection) *:	Start timer (ingen -dV deteksjon) *:	3 min.
Top-off timer *:	Top-off timer *:	1 time/hour
Safety timer *:	Sikkerhetstimer *:	2 timer/hours
Switch frequency:	Svitsjefrekvens:	40 kHz
Temperature range	Temperaturområde:	-20°C - +40°C
Efficiency (at 100% load):	Virkningsgrad (ved 100% last):	ca 80 %
Protection	Sikring	
• Input:	• Inngang:	Sikringsmotstand/fusible resistor
• Output:	• Utgang:	Polyswitch-sikring mot polvending/ Polyswitch fuse against reversed polarity
Insulation class:	Isolasjonsklasse:	II
Electrical safety:	Elektrisk sikkerhet:	EN/UL 60601-1, EN 60950, EN 60335-2-29
EMC standards	EMC standarder	
• Medical:	• Medisinsk:	EN 60601-1-2
• Emission:	• Emisjon:	EN 61000-6-3
• Immunity:	• Immunitet:	EN 61000-6-1
Mains connection**:	Nettilkopling**:	2-pin IEC 320
IP-code:	IP-grad:	41
Dimensions (LxWxH):	Mål (LxBxH):	90 x 45 x 32mm (2115)
Weight:	Vekt:	125g

* Programmable / Programmerbar

** Mains cable not included. Order separately. / ** Nettledning følger ikke med. Må bestilles i tillegg.

Versions - Versjoner

Cells	No-load voltage	Min. out. for -dV detection	Max out. for -dV detection	-dV detection mV/cell or %	Fast charge current	Top-off charge (1h. a. -dV det.)
Celler	Tomgangsspenning	Min. utsp. for -dV deteksjon	Max. utsp. for -dV deteksjon	-dV deteksjon mV/celle eller %	Hurtig ladestrøm	Topplading (1t. e. -dV detek.)
2	6,3V +/-0,7V	2,5V (min. 2 c.)	5,4V (max. 2 c.)	10mV/0,6%	1,3A +/- 100mA	160mA +/- 30mA
3-6	12,8V +/-0,7V	3,7V (min. 3 c.)	10,8V (max. 6 c.)	12mV/0,7%	1,3A +/- 100mA	160mA +/- 30mA
4-8	16,5V +/-1V	5,0V (min. 4 c.)	14,4V (max. 8 c.)	8mV/0,5%	1,0A +/- 100mA	130mA +/- 30mA
5-10	21V +/-1,2V	6,2V (min. 5 c.)	18V (max. 10 c.)		0,8A +/- 100mA	110mA +/- 30mA
6-12	24,7V +/-1,5V	7,5V (min. 6 c.)	21,6V (max. 12 c.)		0,7A +/- 100mA	100mA +/- 30mA
10-20	41V +/-2V	12,5V (min. 10 c.)	36V (max. 20 c.)		0,4A +/- 50mA	65mA +/- 20mA
Note:		min 1,25 V pr. cell	max 1,8 V pr. cell			



Exchangeable AC plug models

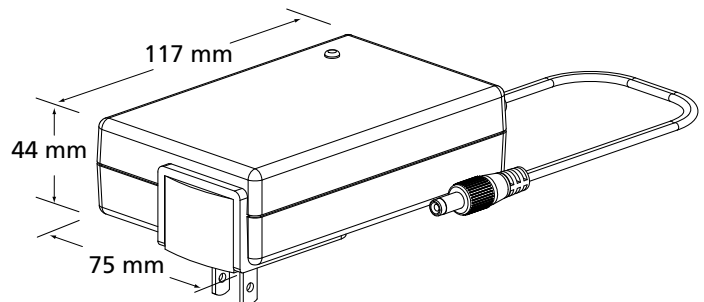
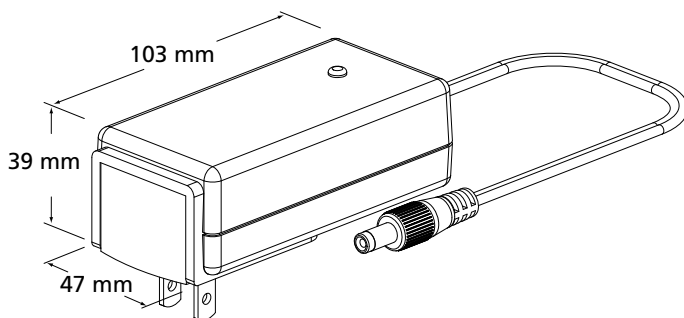
Modeller med utskiftbare AC pluggar

Available as / Tilgjengelig som:

Small housing / liten boks		
Base model / Grunnmodell		w exch. AC plug
Type	Description / Beskrivelse	Type
2121	AC/DC PSU, max 10W	2123
2124	AC/DC PSU, max 16W	2126
2115	NiMH battery charger, max 1,3A	2116
2240	Lead Acid batt. charger, max 1,3A	2241
2240 LI	Li-Ion batt. charger, max 1,3A	2241 LI
Additional housing weight (excl. plug/cord) +15 g Tilleggsvekt (uten plugg/ledning) +15 g		

Medium housing / medium boks		
Base model / Grunnmodell		w exch. AC plug
Type	Description / Beskrivelse	Type
9921	AC/DC PSU, max 40W	9926
2720	AC/DC PSU, max 40W	2721
2541	Lead Acid batt. charger, max 2,2A	2542
9940	Lead Acid batt. charger, max 2,3A	9941
2215	NiMH battery charger, max 35W	2216
9940 LI	Li-Ion batt. charger, max 2,3A	9941 LI
2541 LI	Li-Ion batt. charger, max 2,7A	2542 LI
Additional housing weight (excl. plug/cord) +27 g Tilleggsvekt (uten plugg/ledning) +27 g		

IEC 320 mains cord / nettleddning 1800mm EU part no. 131306,
 UK part no. 131148, US part no. 131147, AU part no. 013108



EXCHANGEABLE AC PLUG ADAPTERS

