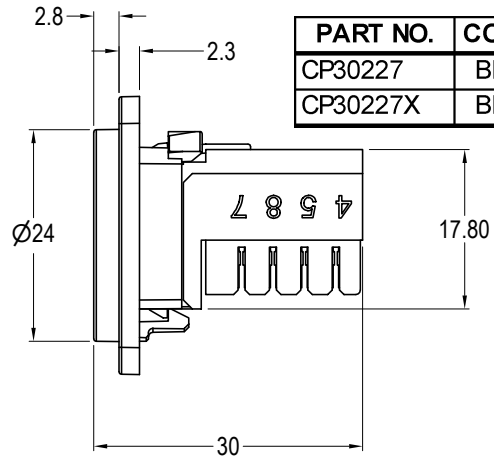
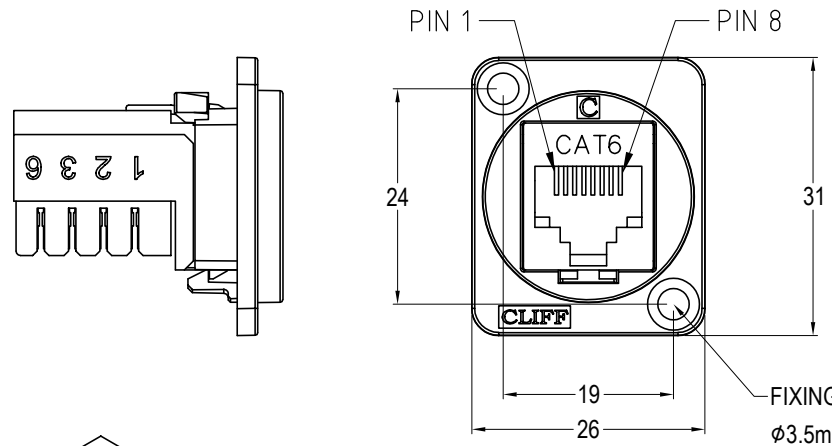
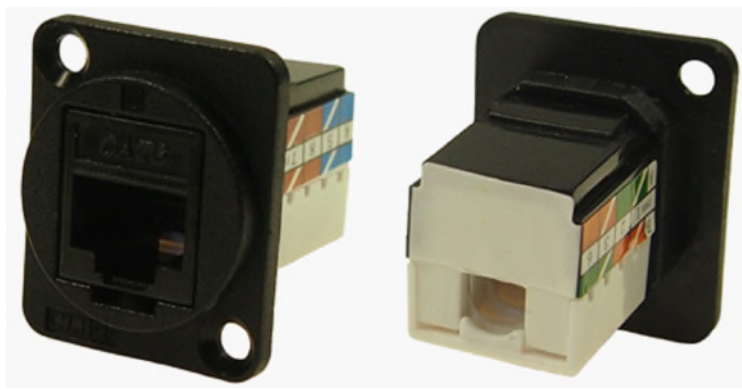
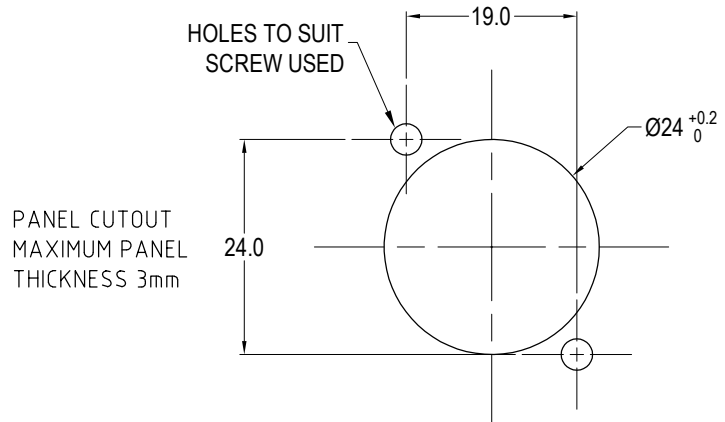
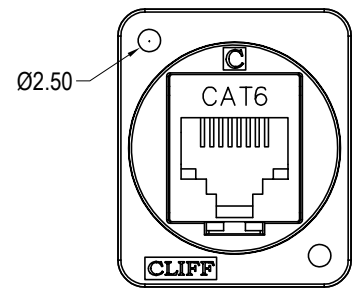


ISS.	AMEND	DATE
1	ISSUED	20/04/20

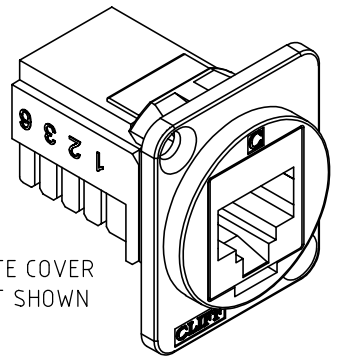


PART NO.	COLOUR	FIXING HOLE DETAILS
CP30227	BLACK	HOLE Ø3.5 x CSK 82° x Ø5.85
CP30227X	BLACK	PLAIN HOLE Ø2.50

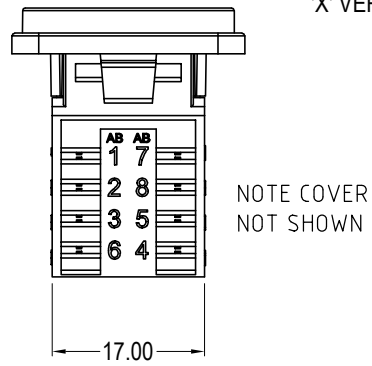
FIXING HOLE VARIANTS:  
 Ø3.5mm CSK 82° x Ø5.85  
 'X' VERSION HAS Ø2.5 PLAIN HOLES.



'X' VERSION  
 Ø2.5 PLAIN HOLES



NOTE COVER NOT SHOWN



NOTE COVER NOT SHOWN

**Material:**

1. RJ45 / IDC / Cover : PC
2. RJ45: Phosphor Bronze, gold plated
3. IDC: Phosphor Bronze, nickel plated
4. PCB: FR4
5. Frame: Polyamide UL94V-2

**Performance:**

1. T568A + T568B wiring.

**RoHS**  
 COMPLIANT

**TOLERANCE**  
 NO DEC. PLACE ±  
 1 DEC. PLACE ±  
 2 DEC. PLACE ±  
 HOLE Ø ±  
 ANGLES ±  
 UNLESS OTHERWISE STATED