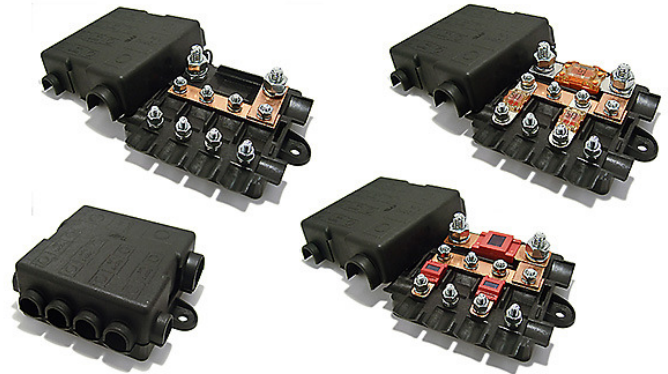
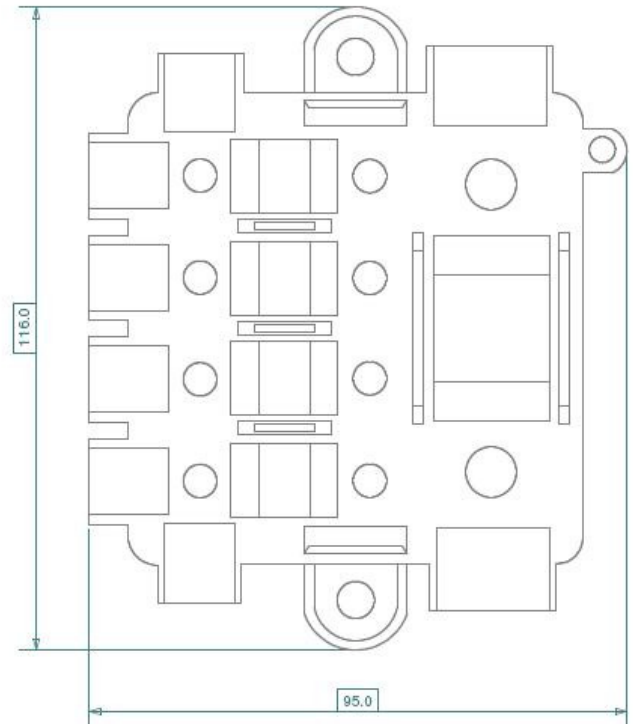


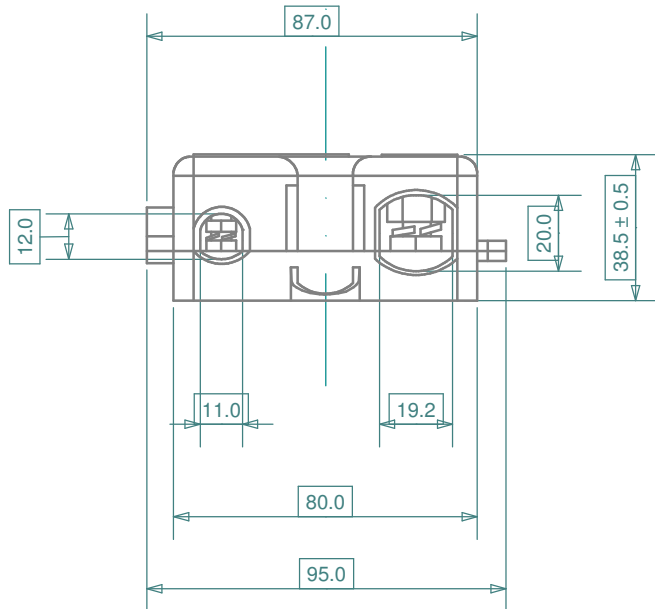
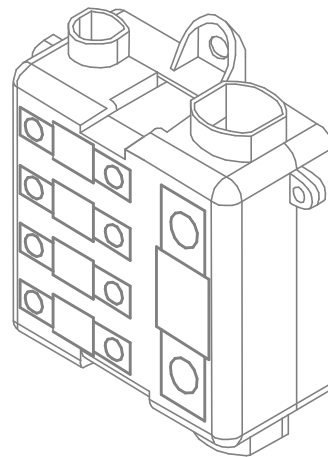
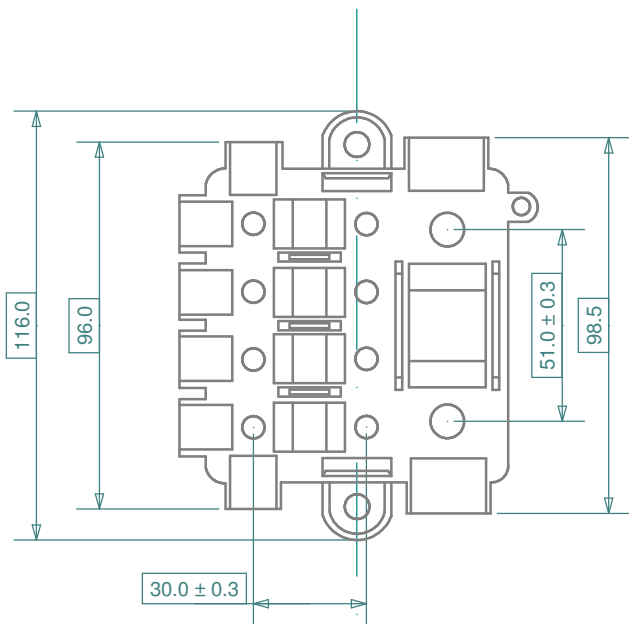
combi-holder HMD4-MG1 midiOTO-megaOTO fuse

- M5 threaded studs and hex nuts to secure 4 midiOTO fuses
- M8 threaded studs and hex nuts to secure 1 megaOTO fuse
- PA 6.6 GF-30 body material
- Heavy duty copper buss-bars included
- Robust holder with cover attached
- Overhang in the cover provides improved protection of the terminals

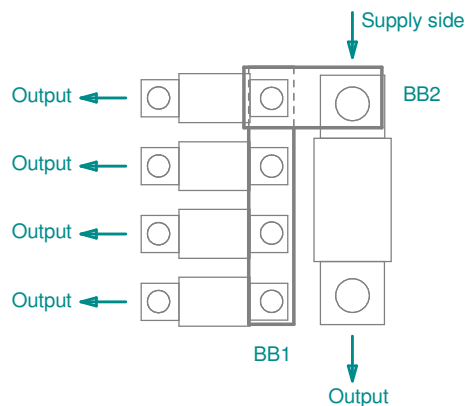


iMaXX ref.	Description
HMD4-MG1	FH combi midiOTO 4p, megaOTO 1p



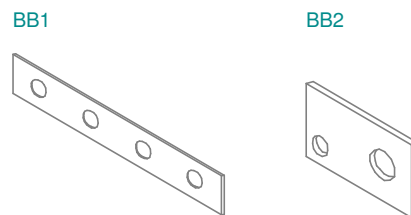


Bussbar configuration (top view)



Note: BB2 can be placed on other side of megaOTO fuse, also switching supply and output

Additional information:
 Bussbar dimensions: BB1 1.5x12x68mm, BB2 2x16x36.5mm (WxHxL)
 Bussbar dimension tolerance: W: ± 0.3mm, H: ± 0.5mm, L: ± 1.0mm
 Bussbar material: Copper, Cu
 Max fuse rating: 4 x 200A midiOTO, megaOTO not limited
 Torque range: midiOTO (M5) 2 - 3 Nm, megaOTO (M8) 7 - 9 Nm



Revisions			Date	Appr.
	Date	Type	Drawn	04/09
a	06/10	added cable hole dimensions	Checked	07/11
b	02/11	updated dimensions	Standards	
c	07/11	added bussbar tolerances	Approved	07/11



		Scale	1 : 2	Title	HMD4-MG1, holder midiOTO, megaOTO
		Projection		Drawing type	schematic
			Tolerance	Drawing number	HMD4-MG1 drawing 1
			± 1 mm unless otherwise noted	Sheet	1 of 1
				Layers / Sheet	01 2 3 6 8 9 11 Sheet 01