

## Ultra Compact and Versatile Filtered Power Entry Module

**SCHAFFNER**  
energy efficiency and reliability



Fuse holder  
included

- Single stage filter FN 9280
- Dual stage filter FN 9290
- Ultra compact design
- Rated currents up to 10A
- Dual fuse holder
- 2-pole rocker switch
- Good attenuation performance
- Faston or spring cage terminals

### Technical specifications

Maximum continuous operating voltage:	250VAC, 50/60Hz
Operating frequency:	50 to 400Hz
Rated currents:	1 to 10A* @ 40°C
High potential test voltage:	P → PE 2000VAC for 2 sec (standard types) P → PE 2500VAC for 2 sec (B types) P → N 760VAC for 2 sec
Leakage current:	Standard: <500uA at 250VAC/50Hz Medical: <5uA at 250VAC/50Hz
Protection category:	IP40 according to IEC 60529 (front side)
Terminals:	IP20 spring cage safe against finger touch
Spring cage wire range:	0.2–1.5 mm <sup>2</sup> / 24–16 AWG single or flexible wire
Temperature range (operation and storage):	–25°C to +85°C (25/85/21)
Design corresponding to:	UL 1283, CSA 22.2 No. 8 1986, EN60939, EN60950, EN60601-1, UL544, EN60320
Flammability corresponding to:	UL 94V-2 or better
MTBF @ 40°C/230V (Mil-HB-217F):	> 1,000,000 hours
Fuse holder:	2 fuses (Ø5 x 20mm) max. 250V
Rocker switch:	2-pole, dark not illuminated, Marking I - 0
Electrical specifications:	Inrush current 82A 6,000 on-off operations according to UL 1054 10,000 on-off operations according to ENEC
Mechanical life:	50,000 cycles
Switch ratings:	USA (UL) and Canada (C-UL) 10A, 125VAC; 10A, 250VAC; 1/3HP Europe (ENEC) 10A (4A), 250VAC**

\* 10A version is 8A UL approved

\*\* Value in () relates to the inductive current charge:  $\cos \varphi = 0.65$

The FN 9280 power entry module combines an IEC inlet, a mains filter and a dual fuse holder with a 2-pole rocker switch in an ultra compact housing.

Choosing FN 9280/90 product line brings you the rapid availability of a standard filter associated with the necessary safety acceptances and a high attenuation performance. For higher attenuation performance the FN 9290 family with a dual stage filter and identical panel cut-out can be used.

Standard IEC connector filters are a practical solution to pass EMI system approval in a short time. A wide selection of amperage ratings, mounting possibilities and also filters for medical applications are designed to offer you the best solution.

### Features and benefits

- Good conducted attenuation performance, based on chokes with high saturation resistance and excellent thermal behavior
- Deep-drawn iron-sheet housing for best possible shielding against magnetic fields
- Rear/front flange mounting or snap-in versions
- Dual fuse holder
- 2-pole rocker switch
- Faston or spring cage terminals for more flexible assembly
- Medical version (B Type) according IEC/EN60601-1
- Spare fuse holder

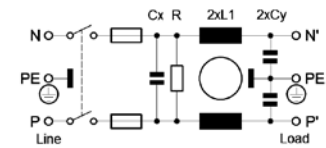
### Approvals



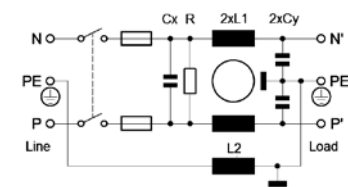
(CQC, approval pending)

### Typical electrical schematic

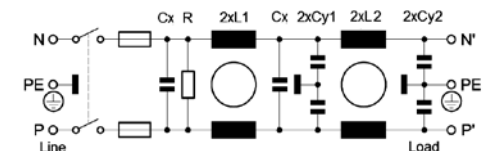
FN 9280 Standard types (B types without Cy)



FN 9280 E types (B types without Cy)



FN 9290 Standard types (B types without Cy)





### Typical applications

- Portable electrical and electronic equipment
- Consumer goods
- EDP and office equipment
- Single-phase power supplies, switch-mode power supplies
- Test and measurement equipment
- Medical electrical devices (MD) and *In-Vitro-Diagnostics* (IVD) equipment

## FN 9280 Series

## Filter selection table

Filter*	Rated current @ 40°C	Leakage current** @ 250V ~/50Hz	Inductance		Capacitance		Resistance R	Output connections		Weight [g]
			L1	L2	Cx	Cy				
	[A]	[uA]	[mH]		[nF]		[kOhm]			
FN 9280-1-..	1	311	10.9	0	220	2.2	1000	-06	-100	101
FN 9280-2-..	2	311	4.4	0	220	2.2	1000	-06	-100	102
FN 9280-4-..	4	311	1.7	0	220	2.2	1000	-06	-100	105
FN 9280-6-..	6	311	0.78	0	220	2.2	1000	-06	-100	104
FN 9280-10-..	10	311	0.32	0	220	2.2	1000	-06	-100	106
FN 9280B-1-..	1	2	10.9	0	220	0	1000	-06	-100	101
FN 9280B-2-..	2	2	4.4	0	220	0	1000	-06	-100	102
FN 9280B-4-..	4	2	1.7	0	220	0	1000	-06	-100	105
FN 9280B-6-..	6	2	0.78	0	220	0	1000	-06	-100	104
FN 9280B-10-..	10	2	0.32	0	220	0	1000	-06	-100	106
FN 9289-1-..	1	311	10.9	0	220	2.2	1000	-06	-100	101
FN 9289-2-..	2	311	4.4	0	220	2.2	1000	-06	-100	102
FN 9289-4-..	4	311	1.7	0	220	2.2	1000	-06	-100	105
FN 9289-6-..	6	311	0.78	0	220	2.2	1000	-06	-100	104
FN 9289-10-..	10	311	0.32	0	220	2.2	1000	-06	-100	106
FN 9289B-1-..	1	2	10.9	0	220	0	1000	-06	-100	101
FN 9289B-2-..	2	2	4.4	0	220	0	1000	-06	-100	102
FN 9289B-4-..	4	2	1.7	0	220	0	1000	-06	-100	105
FN 9289B-6-..	6	2	0.78	0	220	0	1000	-06	-100	104
FN 9289B-10-..	10	2	0.32	0	220	0	1000	-06	-100	106
FN 9280E-1-..	1	311	10.9	0.4	220	2.2	1000	-06	-100	135
FN 9280E-2-..	2	311	4.4	0.4	220	2.2	1000	-06	-100	136
FN 9280E-4-..	4	311	1.66	0.4	220	2.2	1000	-06	-100	137
FN 9280E-6-..	6	311	0.78	0.4	220	2.2	1000	-06	-100	138
FN 9280E-10-..	10	311	0.32	0.4	220	2.2	1000	-06	-100	139
FN 9280BE-1-..	1	2	10.9	0.4	220	0	1000	-06	-100	135
FN 9280BE-2-..	2	2	4.4	0.4	220	0	1000	-06	-100	136
FN 9280BE-4-..	4	2	1.66	0.4	220	0	1000	-06	-100	137
FN 9280BE-6-..	6	2	0.78	0.4	220	0	1000	-06	-100	138
FN 9280BE-10-..	10	2	0.32	0.4	220	0	1000	-06	-100	139
FN 9289E-1-..	1	311	10.9	0.4	220	2.2	1000	-06	-100	135
FN 9289E-2-..	2	311	4.4	0.4	220	2.2	1000	-06	-100	136
FN 9289E-4-..	4	311	1.66	0.4	220	2.2	1000	-06	-100	137
FN 9289E-6-..	6	311	0.78	0.4	220	2.2	1000	-06	-100	138
FN 9289E-10-..	10	311	0.32	0.4	220	2.2	1000	-06	-100	139
FN 9289BE-1-..	1	2	10.9	0.4	220	0	1000	-06	-100	135
FN 9289BE-2-..	2	2	4.4	0.4	220	0	1000	-06	-100	136
FN 9289BE-4-..	4	2	1.66	0.4	220	0	1000	-06	-100	137
FN 9289BE-6-..	6	2	0.78	0.4	220	0	1000	-06	-100	138
FN 9289BE-10-..	10	2	0.32	0.4	220	0	1000	-06	-100	139

\* To compile a complete part number, please replace the .. with the required output connection style (e.g. FN 9289-1-06, FN 9282-4-100)

\*\* Maximum leakage current under normal conditions according to IEC 60939-1 Ed. 3 at 250V AC.

**FN 9290 Series**

**Filter selection table**

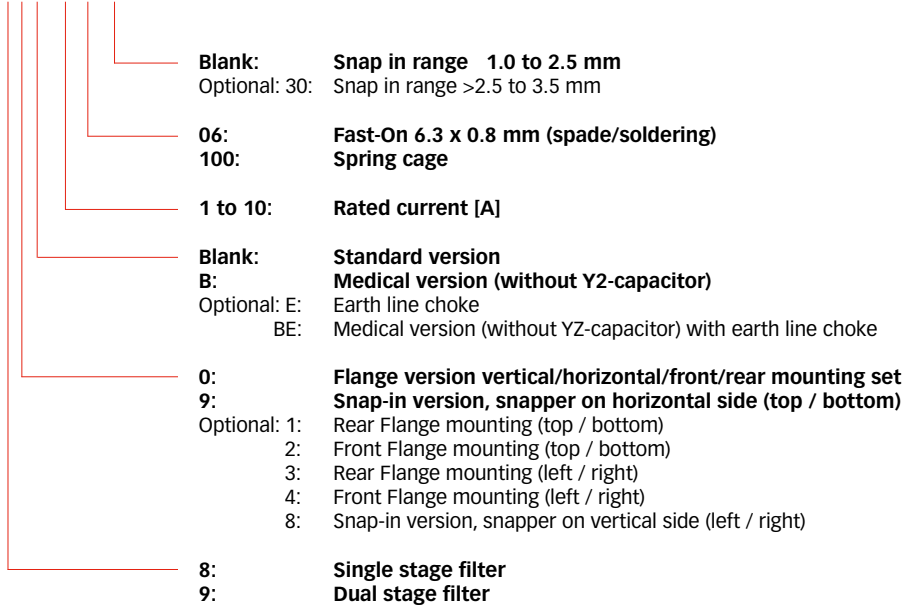
Filter*	Rated current	Leakage current**	Inductance		Cx	Capacitance		Resistance R	Output connections		Weight
	@ 40°C	@ 250V ~/50Hz	L1	L2		Cy1	Cy2		R		
	[A]	[uA]	[mH]			[nF]		[kOhm]			[g]
FN 9290-1-..	1	311	10.9	10.9	220	1.5	0.47	1000	-06	-100	147
FN 9290-2-..	2	311	4.4	4.4	220	1.5	0.47	1000	-06	-100	148
FN 9290-4-..	4	311	1.7	1.7	220	1.5	0.47	1000	-06	-100	148
FN 9290-6-..	6	311	0.78	0.78	220	1.5	0.47	1000	-06	-100	153
FN 9290-10-..	10	311	0.32	0.32	220	1.5	0.47	1000	-06	-100	154
FN 9290B-1-..	1	2	10.9	10.9	220	0	0	1000	-06	-100	147
FN 9290B-2-..	2	2	4.4	4.4	220	0	0	1000	-06	-100	148
FN 9290B-4-..	4	2	1.7	1.7	220	0	0	1000	-06	-100	148
FN 9290B-6-..	6	2	0.78	0.78	220	0	0	1000	-06	-100	153
FN 9290B-10-..	10	2	0.32	0.32	220	0	0	1000	-06	-100	154
FN 9299-1-..	1	311	10.9	10.9	220	1.5	0.47	1000	-06	-100	147
FN 9299-2-..	2	311	4.4	4.4	220	1.5	0.47	1000	-06	-100	148
FN 9299-4-..	4	311	1.7	1.7	220	1.5	0.47	1000	-06	-100	148
FN 9299-6-..	6	311	0.78	0.78	220	1.5	0.47	1000	-06	-100	153
FN 9299-10-..	10	311	0.32	0.32	220	1.5	0.47	1000	-06	-100	154
FN 9299B-1-..	1	2	10.9	10.9	220	0	0	1000	-06	-100	147
FN 9299B-2-..	2	2	4.4	4.4	220	0	0	1000	-06	-100	148
FN 9299B-4-..	4	2	1.7	1.7	220	0	0	1000	-06	-100	148
FN 9299B-6-..	6	2	0.78	0.78	220	0	0	1000	-06	-100	153
FN 9299B-10-..	10	2	0.32	0.32	220	0	0	1000	-06	-100	154

\* To compile a complete part number, please replace the .. with the required output connection style (e.g. FN 9289-1-06, FN 9282-4-100)

\*\* Maximum leakage current under normal conditions according to IEC 60939-1 Ed. 3 at 250V AC.

**Product selector:**

FN 92www-xx-yy-zz



All FN 9280/FN 9290 are equipped with a dual fuse holder with a spare fuse holder.

**Note: All FN 9280/FN 9280B/FN 9289/FN 9289B/FN 9290/FN 9290B/FN 9299/FN 9299B are stock types from our distribution partners.**

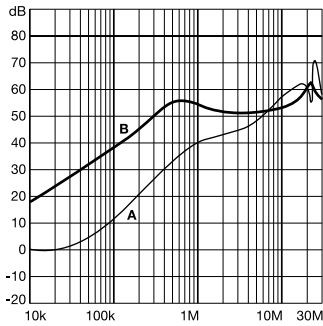
Order Examples:

FN 9280B-6-100: Medical version of single stage, dual fuse EMC/EMI filter, flange set for vertical/horizontal/front/rear mounting, 6A, spring cage terminals, from stock available.

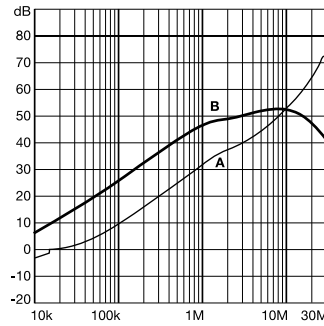
FN 9298-6-06-30: Dual stage, dual fuse EMC/EMI filter, snap-in version, snappers for snap-in panel thickness range >2.5 to 3.5 mm, snapper on vertical side, 6A, fast-on terminals, non-stock order type

**FN 9280 Series | Typical filter attenuation | Per CISPR 17; A = 50Ω/50Ω sym; B = 50Ω/50Ω asym**

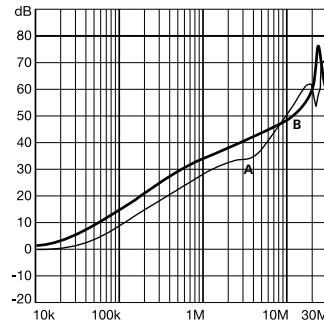
1A types



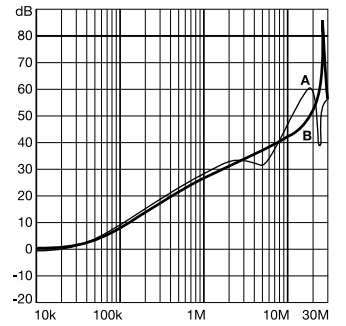
2A types



4-6A types

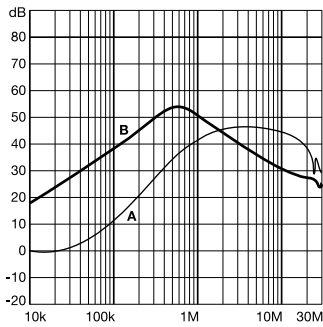


10A types

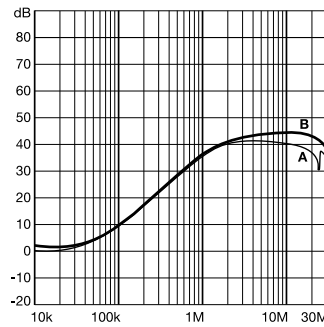


**FN 9280B Series | Typical filter attenuation | Per CISPR 17; A = 50Ω/50Ω sym; B = 50Ω/50Ω asym**

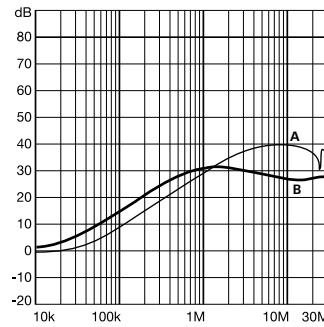
1A types



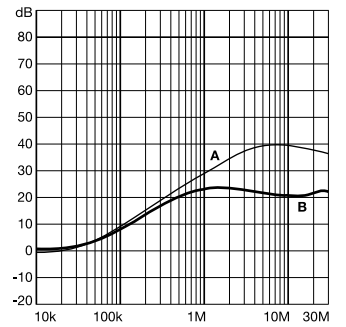
2A types



4-6A types

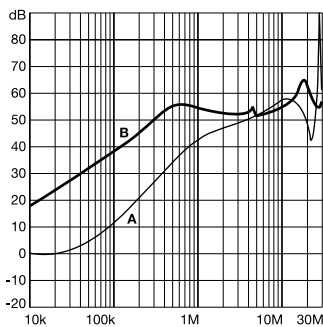


10A types

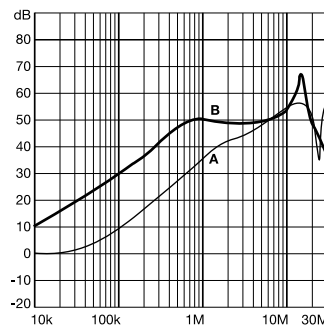


**FN 9280E Series | Typical filter attenuation | Per CISPR 17; A = 50Ω/50Ω sym; B = 50Ω/50Ω asym**

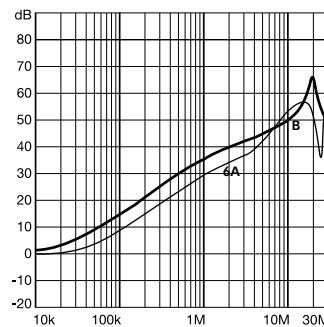
1A types



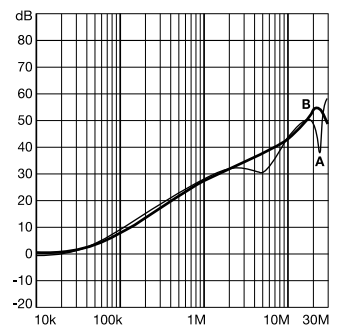
2A types



4-6A types

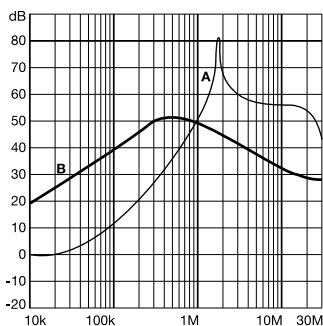


10A types

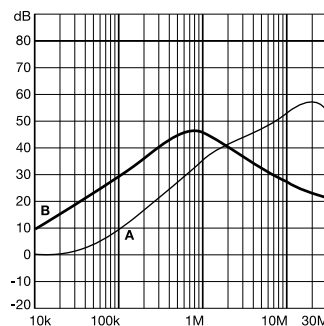


**FN 9280BE Series | Typical filter attenuation | Per CISPR 17; A = 50Ω/50Ω sym; B = 50Ω/50Ω asym**

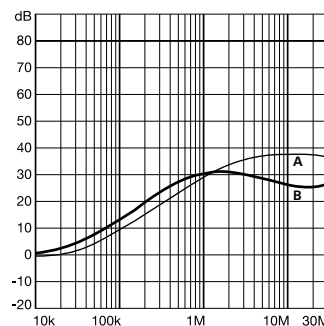
1A types



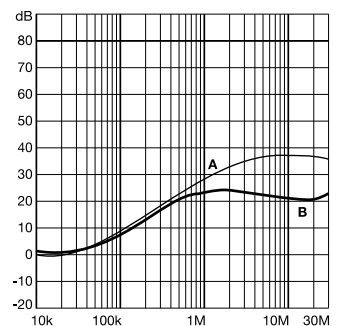
2A types



4-6A types

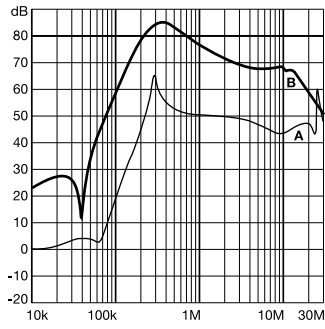


10A types

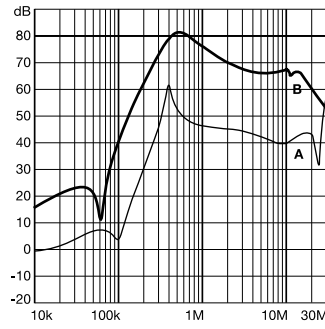


**FN 9290 Series | Typical filter attenuation | Per CISPR 17; A = 50Ω/50Ω sym; B = 50Ω/50Ω asym**

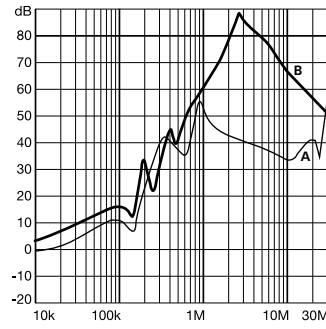
1A types



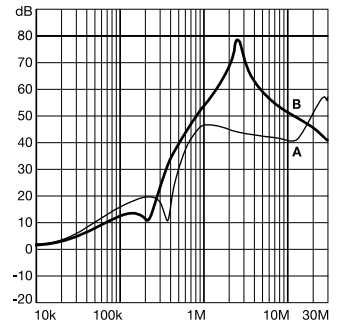
2A types



4-6A types

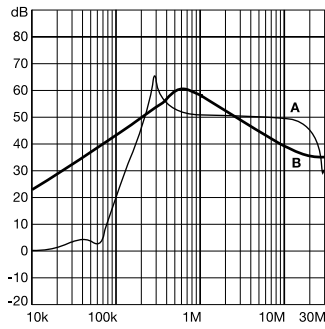


10A types

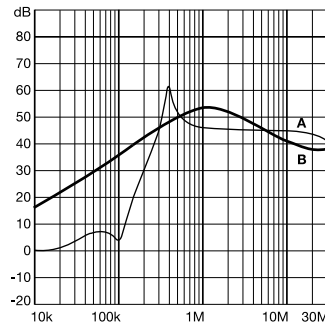


**FN 9290B Series | Typical filter attenuation | Per CISPR 17; A = 50Ω/50Ω sym; B = 50Ω/50Ω asym**

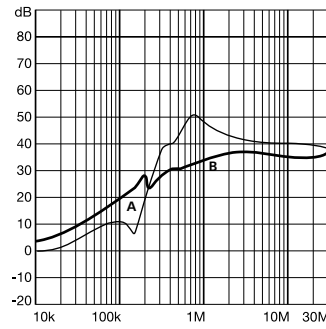
1A types



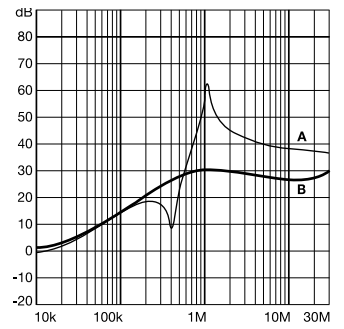
2A types



4-6A types

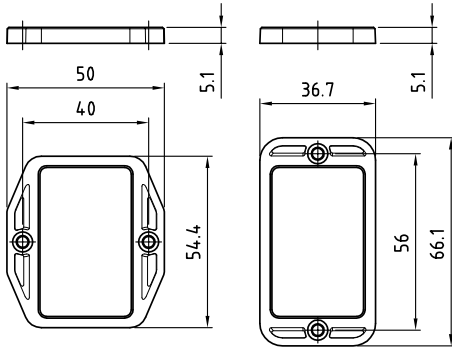
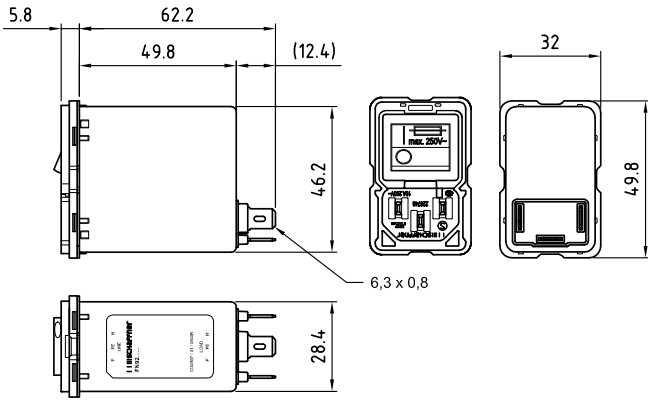


10A types



**Mechanical Data:**

FN 9280-x-06 / FN 9280B-x-06:

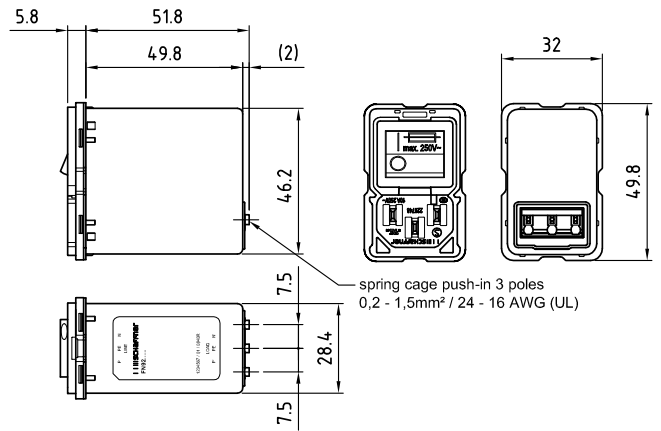


FN 9283 / FN 9284

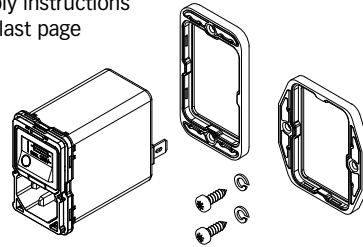
FN 9281 / FN 9282

FN 9280-X-100 / FN 9280B-X-100:

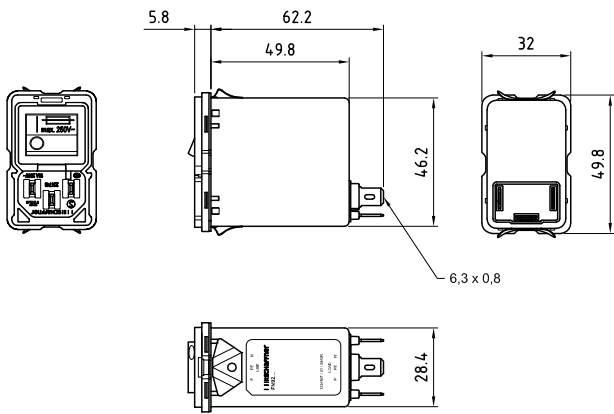
Dimensions (mm)



assembly instructions  
see on last page

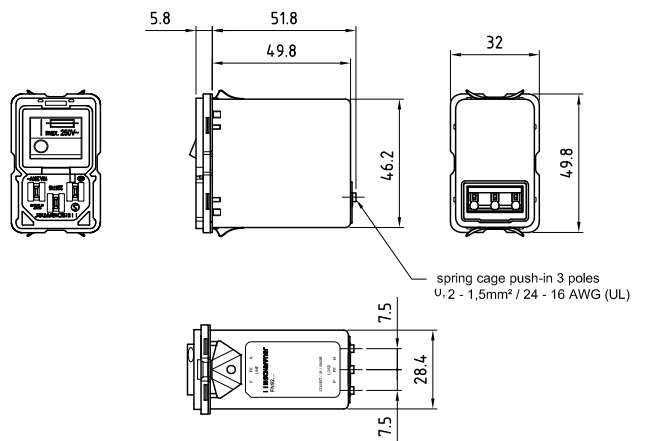


FN 9289-x-06 / FN 9289B-x-06:

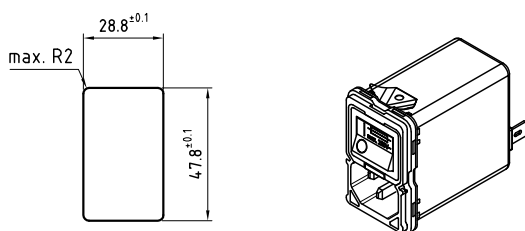


FN 9289-x-100 / FN 9289B-x-100:

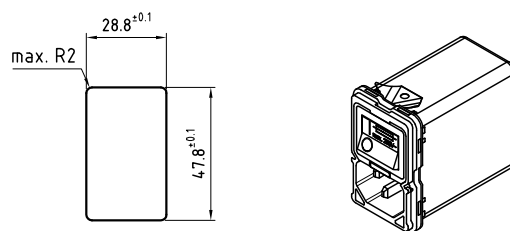
Dimensions (mm)



Panel cutout:



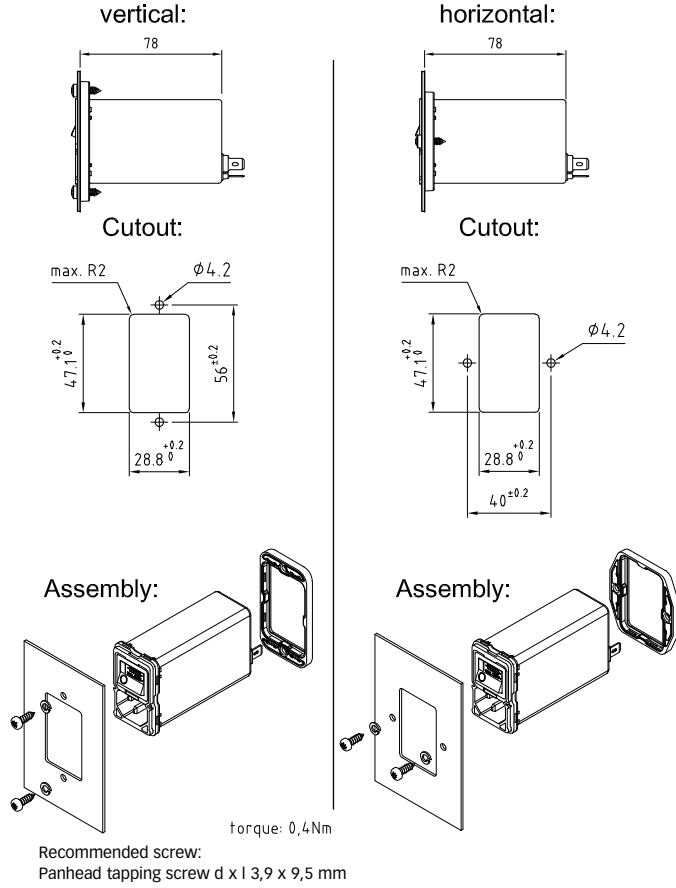
Panel cutout:



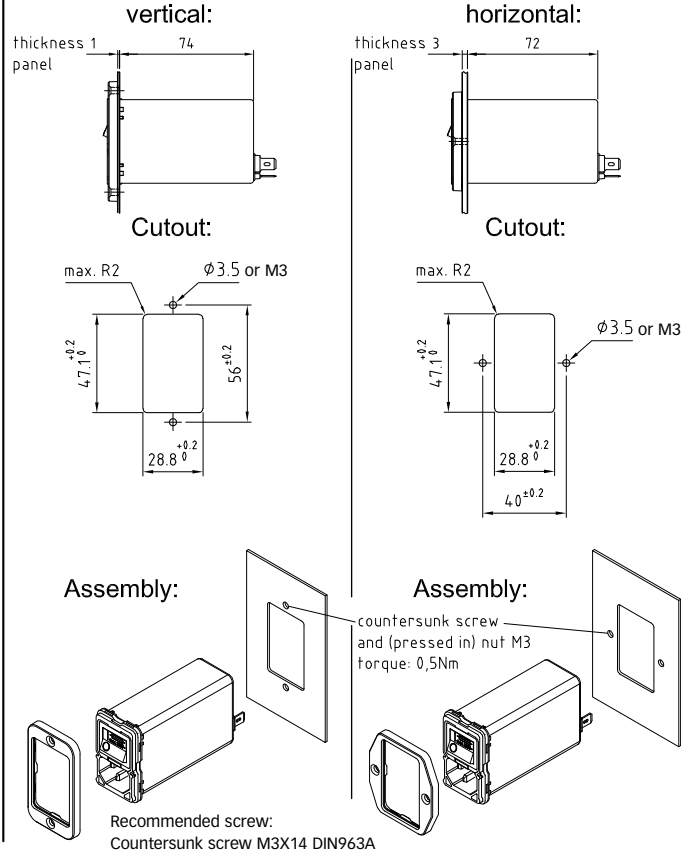


Assembly Instructions:

REAR MOUNTING

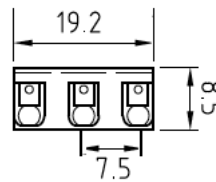


FRONT MOUNTING



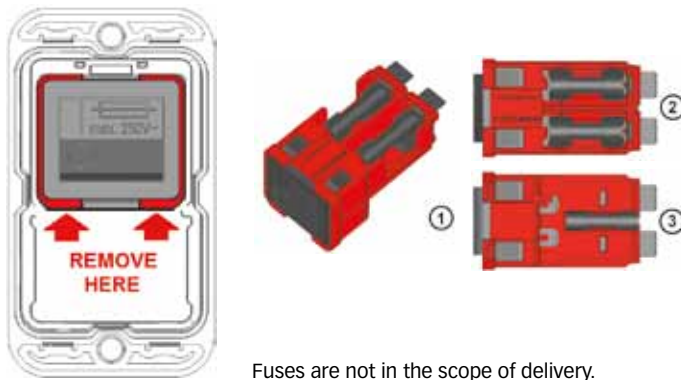
Terminal -100

clamping range, solid wire/flex wire	0,20 mm <sup>2</sup> – 1,5 mm <sup>2</sup> , AWG24 – AWG16
operating force of slider	max. 40N
recommended stripped length	8mm



Push the knob above the terminal to insert the wire.

Removal of the combined switch / fuse holder unit



An additional fuse mark on the switch indicates the fuses holders behind the switch. The red frame shows the outline of the removable unit. With a simple tool like a Swiss Army knife or a screwdriver No 1 or smaller the unit (1) can be removed from the filter. On the topside (2) behind the switch there are two fuse holders for each live connection. On the bottom side (3) is a clip to carry an additional spare fuse.



**Headquarters and  
global innovation and  
development center**

**Schaffner Group**  
Nordstrasse 11  
4542 Luterbach  
Switzerland  
T +41 32 681 66 26  
F +41 32 681 66 30  
info@schaffner.ch  
[www.schaffner.com](http://www.schaffner.com)

**Sales and application centers**

**China**  
**Schaffner EMC Ltd. Shanghai**  
T20-3, No 565 Chuangye Road  
Pudong New Area  
Shanghai 201201/China  
T +86 21 3813 9500  
F +86 21 3813 9501/02  
cschina@schaffner.com  
[www.schaffner.com](http://www.schaffner.com)

**Finland**  
**Schaffner Oy**  
Sauvonrinne 19 H  
08500 Lohja  
T +358 19 35 72 71  
F +358 19 32 66 10  
finlandsales@schaffner.com

**France**  
**Schaffner EMC S.A.S.**  
112, Quai de Bezons  
95103 Argenteuil  
T +33 1 34 34 30 60  
F +33 1 39 47 02 28  
francesales@schaffner.com

**Germany**  
**Schaffner Deutschland GmbH**  
Schoemperlenstrasse 12B  
76185 Karlsruhe  
T +49 721 56910  
F +49 721 569110  
germanysales@schaffner.com

**Italy**  
**Schaffner EMC S.r.l.**  
Via Galileo Galilei, 47  
20092 Cinisello Balsamo (MI)  
T +39 02 66 04 30 45/47  
F +39 02 61 23 943  
italysales@schaffner.com

**Japan**  
**Schaffner EMC K.K.**  
Mitsui-Seimei Sangenjaya Bldg. 7F  
1-32-12, Kamiyama, Setagaya-ku  
Tokyo 154-0011  
T +81 3 5712 3650  
F +81 3 5712 3651  
japansales@schaffner.com  
[www.schaffner.jp](http://www.schaffner.jp)

**Singapore**  
**Schaffner EMC Pte Ltd.**  
Blk 3015A Ubi Road 1  
05-09 Kampong Ubi Industrial  
Estate  
T +65 6377 3283  
F +65 6377 3281  
singaporesales@schaffner.com

**Spain**  
**Schaffner EMC España**  
Calle Caléndula 93,  
Miniparc III, Edificio E  
El Soto de la Moraleja,  
Alcobendas  
28109 Madrid  
T +34 618 176 133  
spainsales@schaffner.com

**Sweden**  
**Schaffner EMC AB**  
Turebergstorg 1, 6  
19147 Sollentuna  
T +46 8 5792 1121 / 22  
F +46 8 92 96 90  
swedensales@schaffner.com

**Switzerland**  
**Schaffner EMV AG**  
Nordstrasse 11  
4542 Luterbach  
T +41 32 681 66 26  
F +41 32 681 66 41  
sales@schaffner.ch

**Taiwan**  
**Schaffner EMV Ltd.**  
6th Floor, No 413  
Rui Guang Road  
Neihu District  
Taipei City 114  
T +886 2 87525050  
F +886 2 87518086  
taiwansales@schaffner.com

**Thailand**  
**Schaffner EMC Co. Ltd.**  
Northern Region Industrial Estate  
67 Moo 4 Tambon Ban Klang  
Amphur Muang P.O. Box 14  
Lamphun 51000  
T +66 53 58 11 04  
F +66 53 58 10 19  
thailandsales@schaffner.com

**UK**  
**Schaffner Ltd.**  
5 Ashville Way  
Molly Millars Lane  
Wokingham  
Berkshire RG41 2PL  
T +44 118 9770070  
F +44 118 9792969  
uksales@schaffner.com  
[www.schaffner.uk.com](http://www.schaffner.uk.com)

**USA**  
**Schaffner EMC Inc.**  
52 Mayfield Avenue  
Edison, New Jersey 08837  
T +1 732 225 9533  
F +1 732 225 4789  
usasales@schaffner.com  
[www.schaffner.com/us](http://www.schaffner.com/us)

To find your local partner within  
Schaffner's global network, please go to  
[www.schaffner.com](http://www.schaffner.com)

August 2012

© 2012 Schaffner Group  
Specifications are subject to change  
without notice. The latest version of the  
data sheets can be obtained from the  
website. All trademarks recognized.

Schaffner is an ISO-registered company.  
Its products are designed and manufac-  
tured under the strict quality and environ-  
mental requirements of the ISO 9001 and  
ISO 14001 standards.

This document has been carefully checked.  
However, Schaffner does not assume any  
liability for errors or inaccuracies.