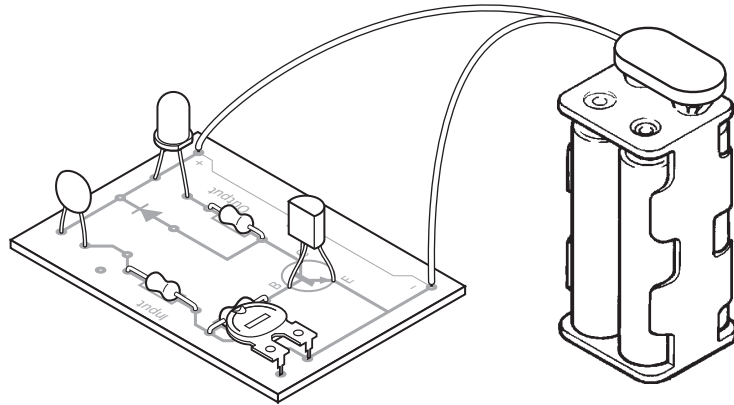


TEMPERATURE SENSOR KIT

Code: PAC 2002 (10 pack)

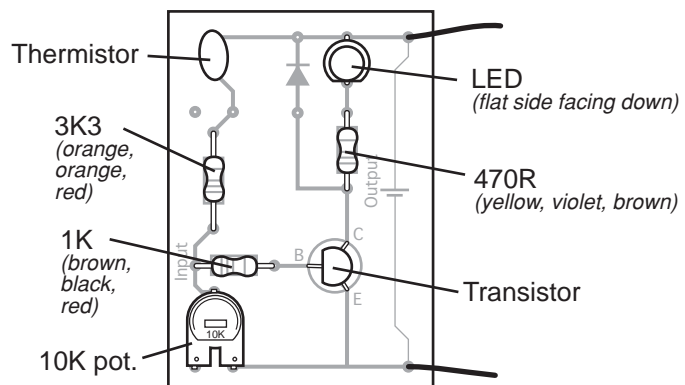
Contents:

- 10 x PCB
- 10 x BC548 transistor
- 10 x Thermistor (1K)
- 10 x 1K resistor
- 10 x 3K3 resistor
- 10 x 470R resistor
- 10 x Standard LED
- 10 x 10K potentiometer
- 10 x Battery connector



This general purpose temperature sensing circuit uses a thermistor to detect changes in temperature. It is designed for use with a 3V - 9V battery. When the components are connected as shown below, the LED will light up when the temperature rises above a set level. The sensitivity of the circuit can be set by adjusting the potentiometer.

- *In cool conditions the thermistor has a high resistance and so the transistor is switched off. The LED is therefore off.*
- *In warm conditions the thermistor has a low resistance and so the transistor is switched on. The LED therefore lights up.*



To make the LED light up when the temperature drops below a set point the positions of the thermistor and the potentiometer should be swapped. A higher value potentiometer may be needed, depending on the sensitivity required.

For further details please contact:

Mindsets (UK) Ltd
Unit 10, The IO Centre
Lea Road
Waltham Cross
Herts, EN9 1AS

Tel: 01992 716052
Fax: 01992 719474
Web: www.mindsetsonline.co.uk

