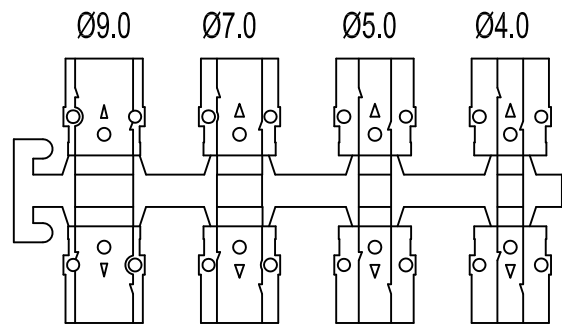
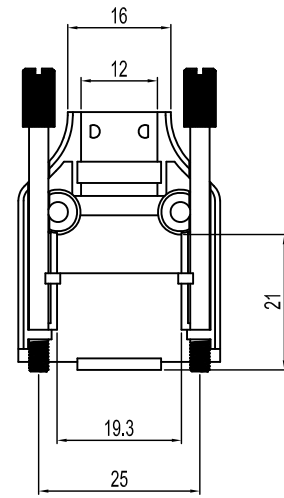
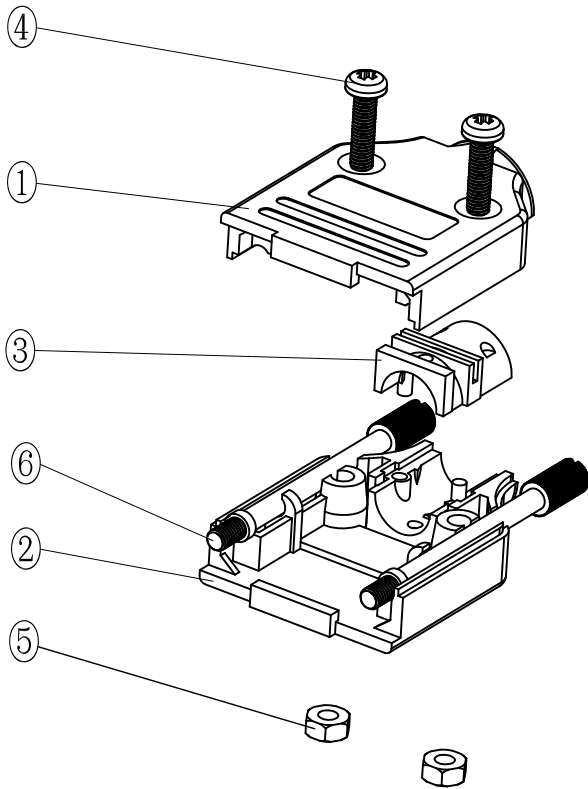
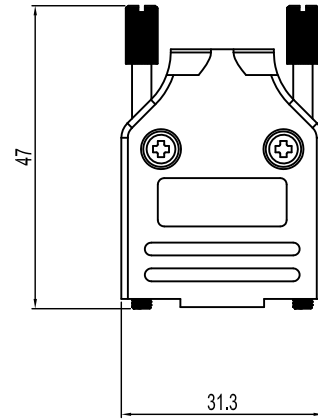
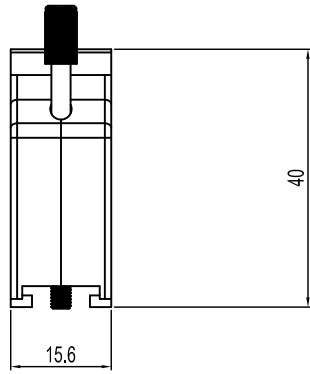


|     |                         |      |      |    |                         |      |      |
|-----|-------------------------|------|------|----|-------------------------|------|------|
| No. | Changes and/or Note No. | Date | Intr | No | Changes and/or Note No. | Date | Intr |
|     |                         |      |      |    |                         |      |      |

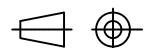


|              |              |       |      |     |               |             |
|--------------|--------------|-------|------|-----|---------------|-------------|
| Part Number: | Description: | Pack: | 1    | 1   | Top DTPK-9    | Cover       |
|              |              |       | 2    | 1   | Bottom DTPK-9 | Cover       |
| 6560-0145-01 | MHDTPK-09-K  | Kit   | 3    | 1   | D45ZK-D1      | Grommet     |
|              |              |       | 4    | 2   | M3X11.5       | Screw       |
| 6561-0145-01 | MHDTPK-09    | Bulk  | 5    | 2   | M3            | NUT         |
|              |              |       | 6    | 2   | UNC 4-40X45   | Jack screw  |
|              |              |       | Item | QTY | Part Number   | Description |

|                     |                  |        |                |
|---------------------|------------------|--------|----------------|
| DATE:<br>2008-09-11 | DRAWN:<br>YGY    | SCALE: | MATERIAL TYPE: |
| Auditing:           | APPROVED:<br>MRR |        | REPLACES:      |

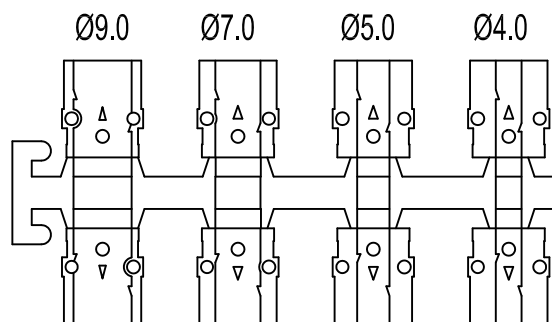
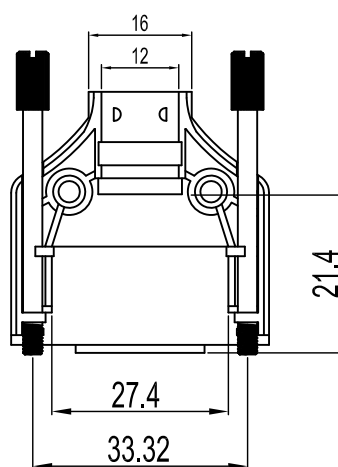
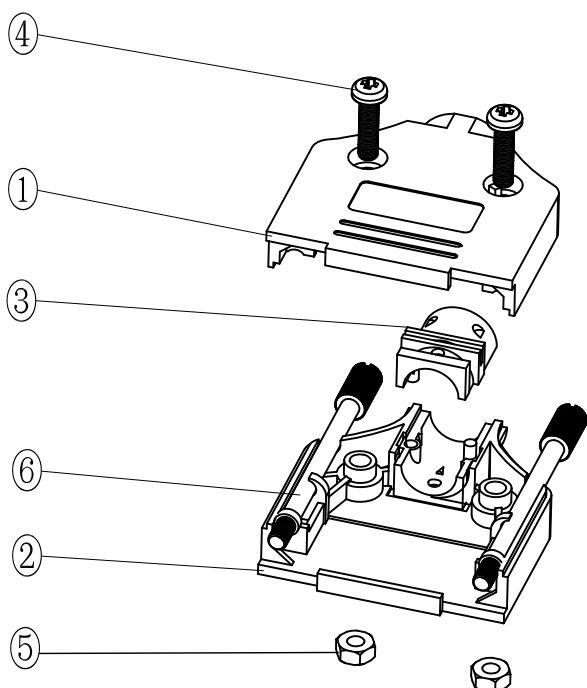
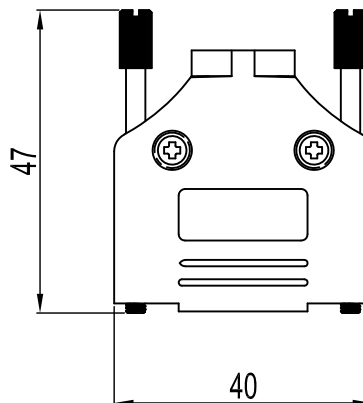
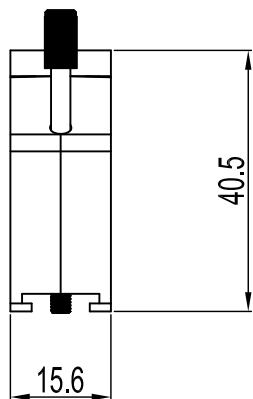


MHDTPK-SERIES



DRAWING No:

|     |                         |      |      |    |                         |      |      |
|-----|-------------------------|------|------|----|-------------------------|------|------|
| No. | Changes and/or Note No. | Date | Intr | No | Changes and/or Note No. | Date | Intr |
|     |                         |      |      |    |                         |      |      |



|              |              |       |      |     |                |             |
|--------------|--------------|-------|------|-----|----------------|-------------|
| Part Number: | Description: | Pack: | 1    | 1   | Top DTPK-15    | Cover       |
|              |              |       | 2    | 1   | Bottom DTPK-15 | Cover       |
| 6560-0145-02 | MHDTPK-15-K  | Kit   | 3    | 1   | D45ZK-D1       | Grommet     |
|              |              |       | 4    | 2   | M3X11.5        | Screw       |
| 6561-0145-02 | MHDTPK-15    | Bulk  | 5    | 2   | M3             | NUT         |
|              |              |       | 6    | 2   | UNC 4-40X45    | Jack screw  |
|              |              |       | Item | QTY | Part Number    | Description |

|                     |                  |        |                |
|---------------------|------------------|--------|----------------|
| DATE:<br>2008-09-11 | DRAWN:<br>YGY    | SCALE: | MATERIAL TYPE: |
| Auditing:           | APPROVED:<br>MRR |        | REPLACES:      |

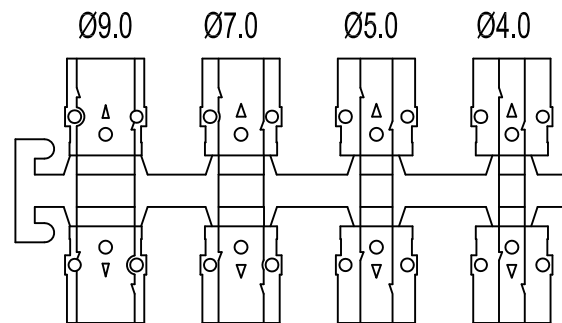
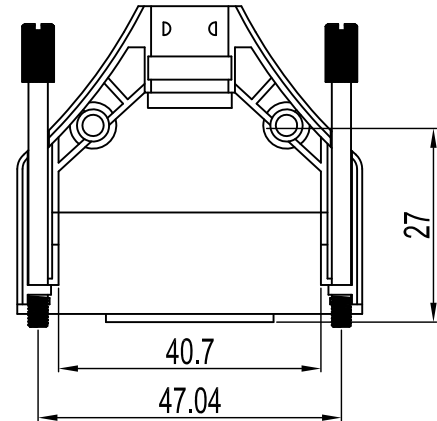
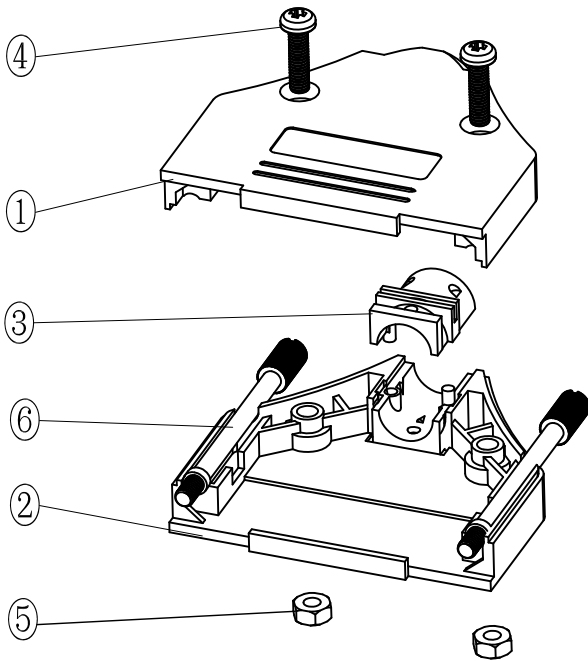
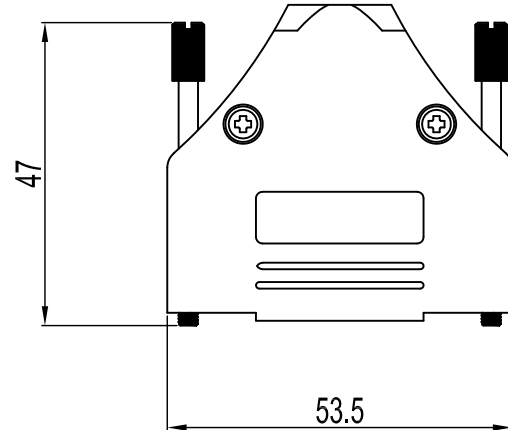
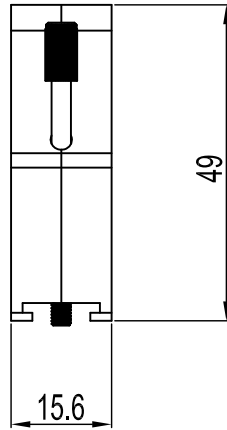


MHDTPK-SERIES



DRAWING No:

|     |                         |      |      |    |                         |      |      |
|-----|-------------------------|------|------|----|-------------------------|------|------|
| No. | Changes and/or Note No. | Date | Intr | No | Changes and/or Note No. | Date | Intr |
|     |                         |      |      |    |                         |      |      |



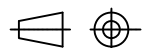
|              |              |       |      |     |                |             |
|--------------|--------------|-------|------|-----|----------------|-------------|
| Part Number: | Description: | Pack: | 1    | 1   | Top DTPK-25    | Cover       |
|              |              |       | 2    | 1   | Bottom DTPK-25 | Cover       |
| 6560-0145-03 | MHDTPK-25-K  | Kit   | 3    | 1   | D45ZK-D1       | Grommet     |
|              |              |       | 4    | 2   | M3X11.5        | Screw       |
| 6561-0145-03 | MHDTPK-25    | Bulk  | 5    | 2   | M3             | NUT         |
|              |              |       | 6    | 2   | UNC 4-40X45    | Jack screw  |
|              |              |       | Item | QTY | Part Number    | Description |

|                     |                  |        |                |
|---------------------|------------------|--------|----------------|
| DATE:<br>2008-09-11 | DRAWN:<br>YGY    | SCALE: | MATERIAL TYPE: |
| Auditing:           | APPROVED:<br>MRR |        | REPLACES:      |

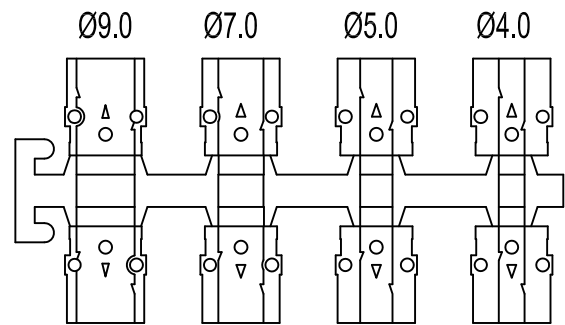
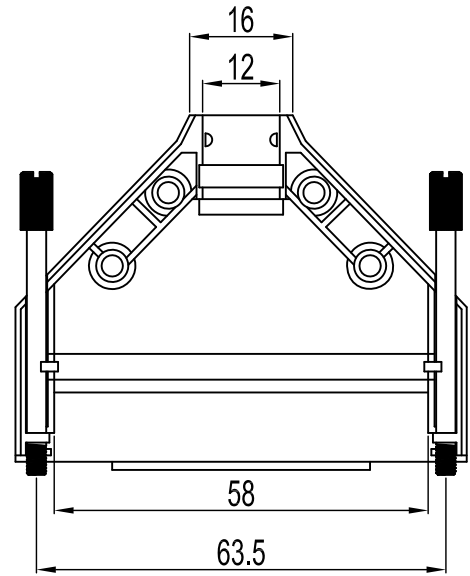
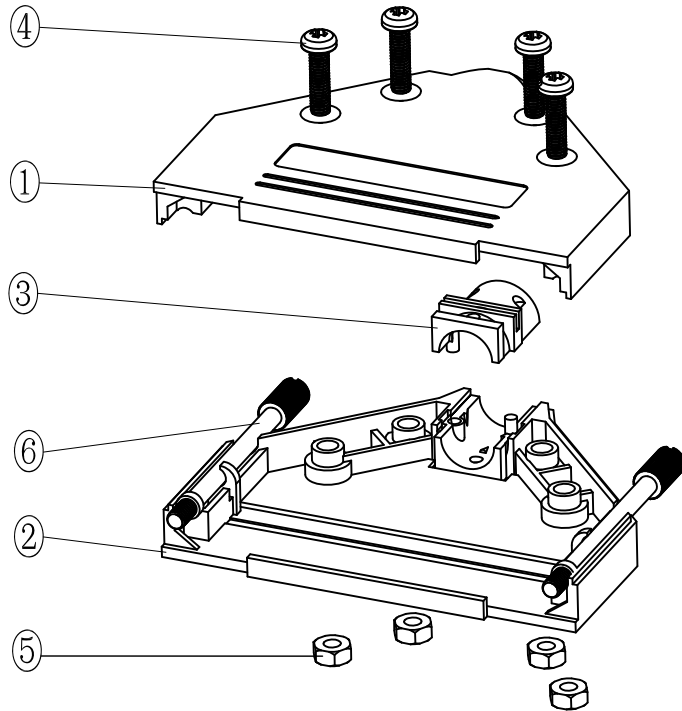
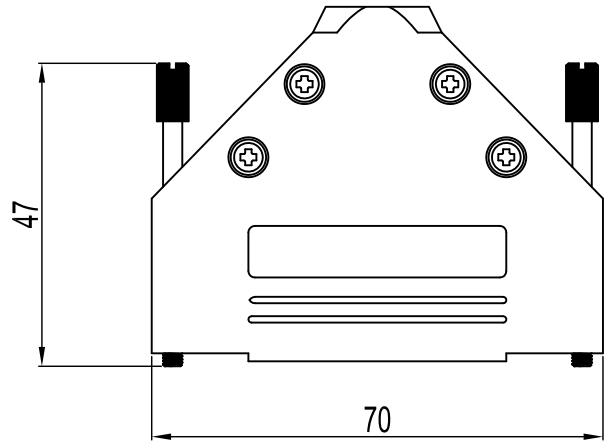
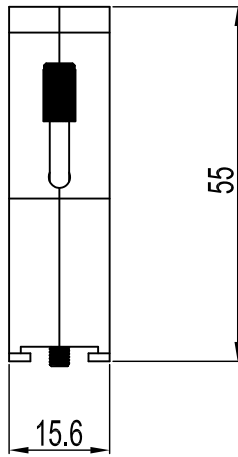


MHDTPK-SERIES

DRAWING No:



| No. | Changes and/or Note No. | Date | Intr | No | Changes and/or Note No. | Date | Intr |
|-----|-------------------------|------|------|----|-------------------------|------|------|
|     |                         |      |      |    |                         |      |      |

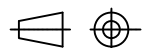


| Part Number: | Description: | Pack: | 1    | 1   | Top DTPK-37    | Cover       |
|--------------|--------------|-------|------|-----|----------------|-------------|
| 6560-0145-04 | MHDTPK-37-K  | Kit   | 2    | 1   | Bottom DTPK-37 | Cover       |
| 6561-0145-04 | MHDTPK-37    | Bulk  | 3    | 1   | D45ZK-D1       | Grommet     |
|              |              |       | 4    | 4   | M3X11.5        | Screw       |
|              |              |       | 5    | 4   | M3             | NUT         |
|              |              |       | 6    | 2   | UNC 4-40X45    | Jack screw  |
|              |              |       | Item | QTY | Part Number    | Description |

|                     |                  |        |                |
|---------------------|------------------|--------|----------------|
| DATE:<br>2008-09-11 | DRAWN:<br>YGY    | SCALE: | MATERIAL TYPE: |
| Auditing:           | APPROVED:<br>MRR |        | REPLACES:      |



MHDTPK-SERIES



DRAWING No: