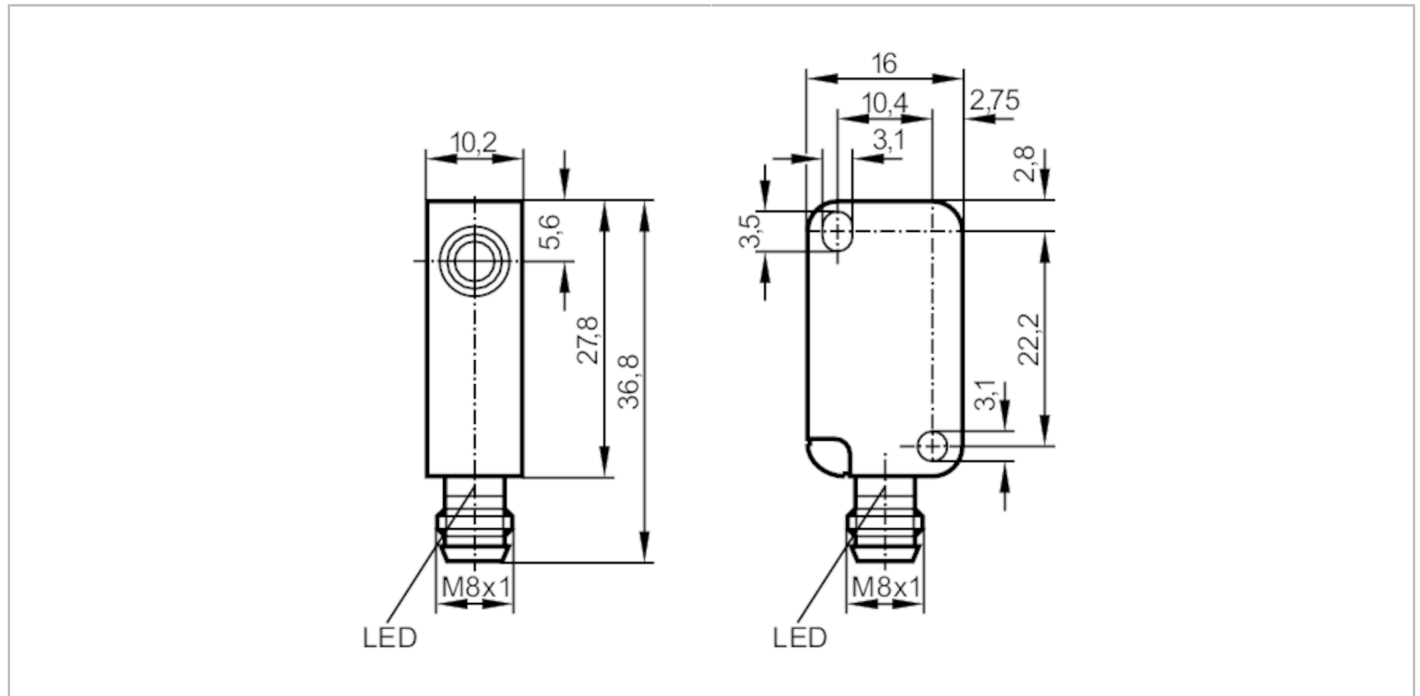


# IS5071



## Inductive sensor

IS-3004-BPKG/AS



### Product characteristics

Electrical design		PNP
Output function		normally open
Sensing range	[mm]	4
Housing		rectangular
Dimensions	[mm]	28 x 10 x 16

### Electrical data

Operating voltage	[V]	10...30 DC
Current consumption	[mA]	15
Protection class		III
Reverse polarity protection		yes

### Outputs

Electrical design		PNP
Output function		normally open
Max. voltage drop switching output DC	[V]	2.5
Permanent current rating of switching output DC	[mA]	200
Switching frequency DC	[Hz]	2000
Short-circuit protection		yes
Overload protection		yes

### Detection zone

Sensing range	[mm]	4
Real sensing range Sr	[mm]	4 ± 10 %
Operating distance	[mm]	0...3.25

# IS5071



## Inductive sensor

IS-3004-BPKG/AS

Accuracy / deviations		
Hysteresis	[% of Sr]	1...15
Operating conditions		
Ambient temperature	[°C]	-25...70
Protection	IP 65; (with ifm socket duly screwed on IP67)	
Tests / approvals		
EMC	EN 60947-5-2	
MTTF	[years]	3076
UL approval	Ta	-25...70 °C
	Enclosure type	Type 1
	voltage supply	Class 2
	File number UL	E174191
Mechanical data		
Weight	[g]	8.5
Housing	rectangular	
Mounting	non-flush mountable	
Dimensions	[mm]	28 x 10 x 16
Materials	PBT; PC	
Tightening torque	[Nm]	< 0.5; (with washer)
Displays / operating elements		
Display	switching status	1 x LED, yellow
Remarks		
Pack quantity	1 pcs.	
Electrical connection - plug		
Connector: 1 x M8		

# IS5071



## Inductive sensor

IS-3004-BPKG/AS

### Connection

