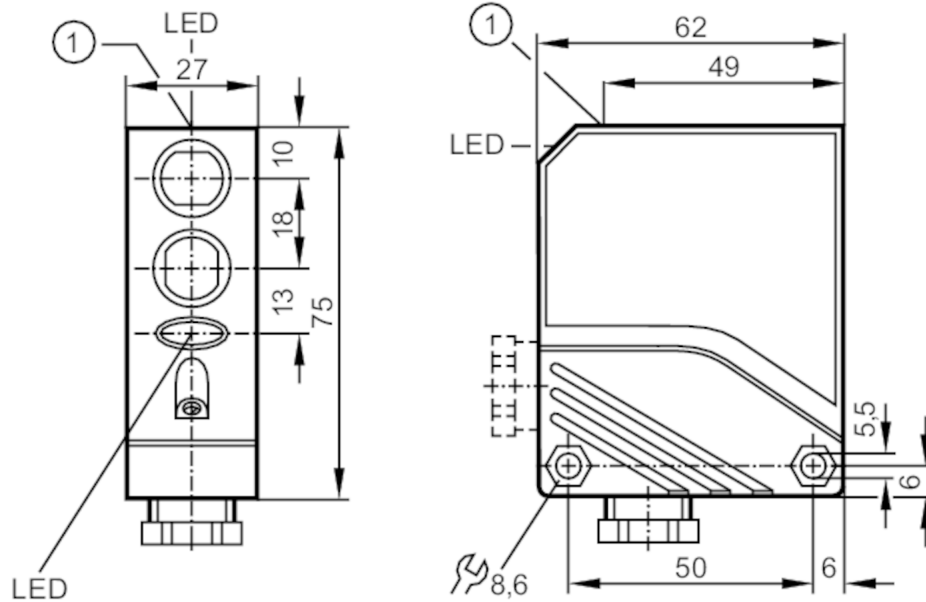




Retro-reflective sensor

OLP-FKOA



1 pushbutton



Product characteristics

Type of light	red light
Housing	rectangular
Dimensions [mm]	75 x 27 x 62

Application

Special feature	polarisation filter
Function principle	Retro-reflective sensor

Electrical data

Frequency AC [Hz]	47...63
Operating voltage [V]	20...250 AC/DC
Max. power consumption [VA]	4
Protection class	II
Reverse polarity protection	no
Type of light	red light
Wave length [nm]	660

Outputs

Electrical design	relay
Output function	light-on/dark-on mode; (programmable)
Contact rating	250 V AC / 3 A / 960 VA, 125 V DC / 5 A / 120 W
Switching frequency AC [Hz]	10
Switching frequency DC [Hz]	10
Short-circuit proof	no
Overload protection	no



Retro-reflective sensor

OLP-FKOA

Detection zone		
Range referred to prismatic reflector [m]	0.3...5; (Prismatic reflector Ø 80 E20005)	
Range adjustable	yes	
Max. light spot diameter [mm]	250	
Light spot dimensions refer to	at maximum range	
Polarisation filter available	yes	
Operating conditions		
Ambient temperature [°C]	-25...80	
Protection	IP 67	
Tests / approvals		
EMC	EN 60947-5-2	class B
	EN 55011	
MTTF [years]	256	
Mechanical data		
Weight [g]	163.5	
Housing	rectangular	
Dimensions [mm]	75 x 27 x 62	
Materials	PA; PBT	
Lens material	PMMA	
Lens alignment	side lens	
Displays / operating elements		
Display	switching status	1 x LED, yellow
	operation	1 x LED, green
	function	1 x LED, red
Electrical connection		
Required protection	miniature fuse to IEC60127-2 sheet 1; ≤ 5 A; fast acting	
Remarks		
Remarks	Recommendation: Check the safe functioning of the unit after a short circuit.	
Pack quantity	1 pcs.	



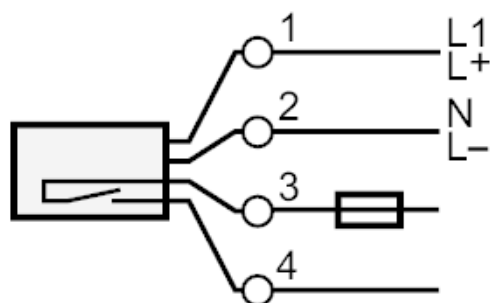
Retro-reflective sensor

OLP-FKOA

Electrical connection

terminals: ...1.5 mm²; Cable sheath: Ø 4.5...10 mm; Cable gland: M16 X 1.5

Connection



Note : miniature fuse to IEC60127-2 sheet 1 ≤ 5 A fast acting

Diagrams and graphs

excess gain graph

