



Part no.: 50103087
RFM 32 SL 200 Ex-n
RFID read/write device



Figure can vary

Contents

- Technical data
- Dimensioned drawings
- Electrical connection
- Operation and display
- Notes
- Accessories

Technical data

Basic data	
Series	RFM
Working frequency	13.56 MHz
Functions	
Functions	Configurable operating modes I/O LED indicator Reading gate control
Read data	
Reading/writing range, max.	110 mm
Transponder, readable	ICodeSLI Infineon MyD TagIT HFI
Electrical data	
Performance data	
Supply voltage U_B	12 ... 30 V , DC
Power consumption, max.	1 W
Memory access	Read/Write
Transmission speed	4,000 Bd
Inputs	
Number of digital switching inputs	1 Piece(s)
Outputs	
Number of digital switching outputs	1 Piece(s)
Interface	
Type	RS 232
RS 232	
Function	Process
Transmission speed	9,600 Bd
Data format	Fixed
Start bit	1
Data bit	8 data bits
Stop bit	1 stop bit
Parity	None
Transmission protocol	<STX><data><CR><LF>
Connection	
Number of connections	1 Piece(s)
Connection 1	
Type of connection	Cable with socket connectors (10+6)
Function	Data interface Signal IN Signal OUT Voltage supply
Cable length	10,000 mm
Mechanical data	

Part no.: 50103087 – RFM 32 SL 200 Ex-n – RFID read/write device

Design	Cubic
Dimension (W x H x L)	76 mm x 30 mm x 102 mm
Housing material	Plastic
Net weight	1,060 g
Housing color	Black
Type of fastening	Through-hole mounting

Environmental data

Ambient temperature, operation	-25 ... 60 °C
Ambient temperature, storage	-40 ... 70 °C
Relative humidity (non-condensing)	5 ... 90 %

Ex specification

Ex device group	II
Temperature class, gases	T4
Ignition protection type	"d" pressure-encapsulated "nA" non-sparking

Certifications

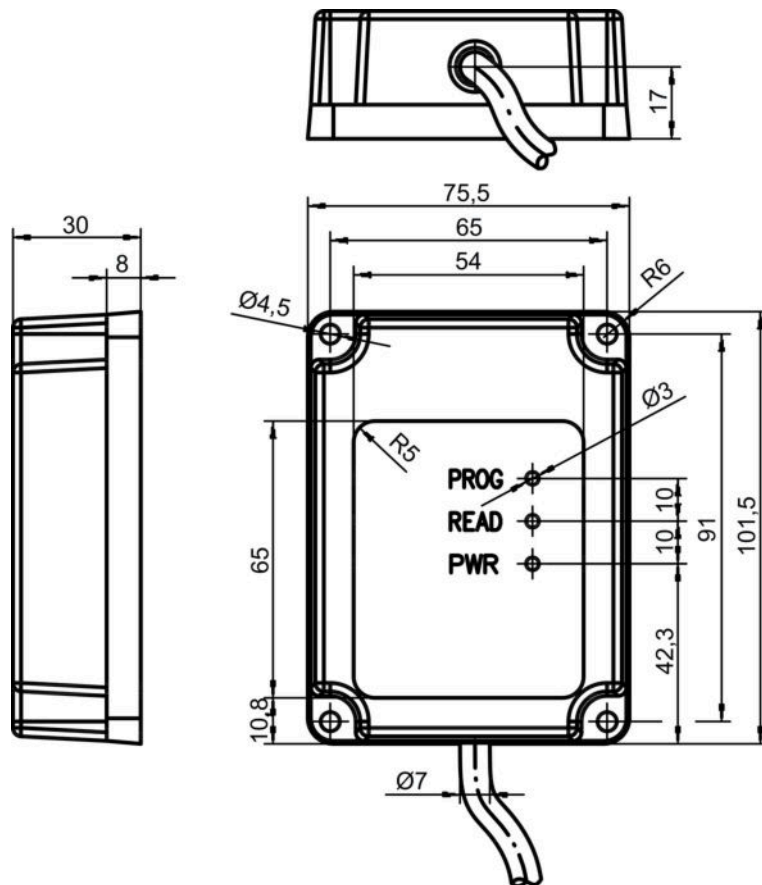
Degree of protection	IP 67
Certifications	Ex

Classification

Customs tariff number	84719000
eCl@ss 8.0	27280401
eCl@ss 9.0	27280401
ETIM 5.0	EC002998
ETIM 6.0	EC002998

Dimensioned drawings

All dimensions in millimeters



Electrical connection

Connection 1	
Type of connection	Cable with socket connectors (10+6)
Function	Data interface Signal IN Signal OUT Voltage supply
Cable length	10,000 mm

Pin	Pin assignment	Conductor color
1	n.c.	White-brown
2	n.c.	White-red
3	n.c.	White-orange
4	n.c.	White-yellow
5	n.c.	White-green
6	SWOUT 1	White-black
7	GND	Brown
8	n.c.	Red
9	n.c.	Orange
10	RxD	Yellow
11	TxD	Green
12	n.c.	Blue
13	SWIN 1	Violet
14	VIN	Gray

Part no.: 50103087 – RFM 32 SL 200 Ex-n – RFID read/write device

Pin	Pin assignment	Conductor color
15	GNDIN	White
16	Shield	Shield

Operation and display

LEDs

LED	Display	Meaning
1	Yellow, continuous light	Operational readiness
2	Red, continuous light	Reading gate active
3	Green, flashing	Reading successful


Notes

Observe intended use!

- This product is not a safety sensor and is not intended as personnel protection.
 - The product may only be put into operation by competent persons.
 - Only use the product in accordance with its intended use.
-
- Under certain circumstances, metal in the reading field reduces the operating range considerably.

Accessories

Connection technology - Connection unit

	Part no.	Designation	Article	Description
	50031256	MA 2	Connection unit	Interface: RS 232, RS 485 Connections: 3 Piece(s) Degree of protection: IP 54

Note

A list with all available accessories can be found on the Leuze electronic website in the Download tab of the article detailed page.