

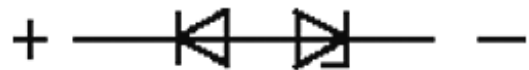
MOELLER CONTACTOR SUPPRESSOR

Zener diode, 24VDC

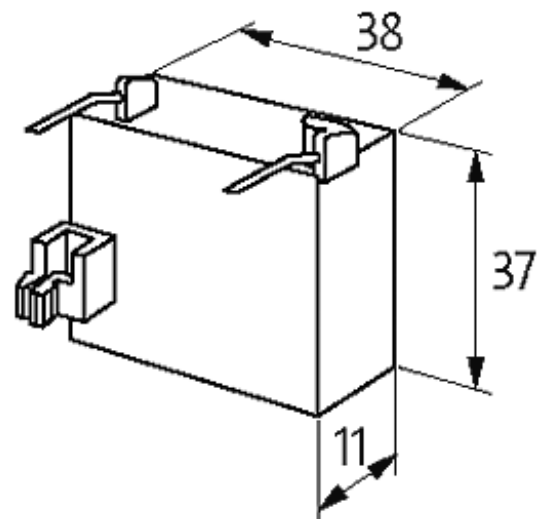
24 V DC

Diode/Z-Diode

For other configurations and voltages, please inquire

[Link to Product](#)**Illustration**

Diode/Z-Diode



Product may differ from Image

Approvals

Appropriate contactors

DIL 0-2...M, DIL R...

Technical Data

Material	Flame retardant plastic acc. to (UL 94)
Connection wires	Plug contact

General data

Dimensions H x W x D	37x38x11 mm
Temperature range	-20...+70 °C

Commercial data

country of origin	CZ
customs tariff number	85363010
minimum order quantity	1