

MASI67 I/O MODULE K3

8 digital inputs, 8 digital, passive safety outputs

Digital inputs and outputs

DI8 - 0.34 A DO8 - 1.6 A (AB) 8xM12 (K3)

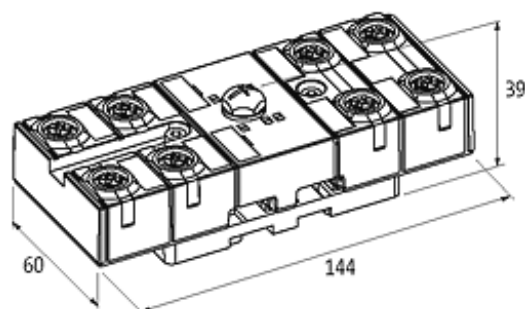
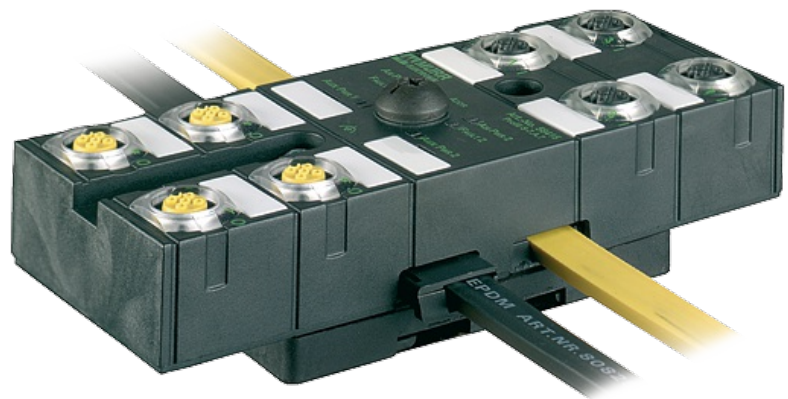
output groups up to PLd (EN ISO 13849-1) can be switched off via safety relays

Double assignment of M12 females, PIN 2 + 4

For connection cables please see chapter "Connection Technology" All housings are fully potted

[Link to Product](#)

Illustration



Product may differ from Image

Approvals



Input

Type for 3-wire sensors or mechanical switches, PNP, (EN 61131-2)

Sensor supply US max. 340 mA from AS-Interface, (short-circuit and overload protected)

Technical Data

Bus voltage (AS-Interface)	26.5...31.6 V DC
Total current	max. 440 mA
Addressing	via built-in address port or master
Address range	2 × 1...62 (2 × 1...31 A or B)
Profile (IO/ID/ID2 code)	2 × S-7.A.7
Double assignment of M12 female	yes

General data

Protection	IP67
Mounting method	DIN-rail mountable (EN 60715) or screw fixing
Temperature range	-20...+60 °C (storage temperature -20...+70 °C)
Dimensions H × W × D	144×72×39 mm

Output

Supply voltage	24 V DC external (18...30.2 V DC) EN 61131-2, connection via black AS-Interface profile cable, 2 safely separated supplies possible
Switching current per output	max. 1.6 A (short-circuit and overload protected)
Total current	2 × 4 A

Diagnostic

Communication status	via LED
Diagnostic via LED	per module
Monitoring - no voltage	yes

Commercial data

country of origin	DE
customs tariff number	85176200
minimum order quantity	1