

# CM5441Z161B-10

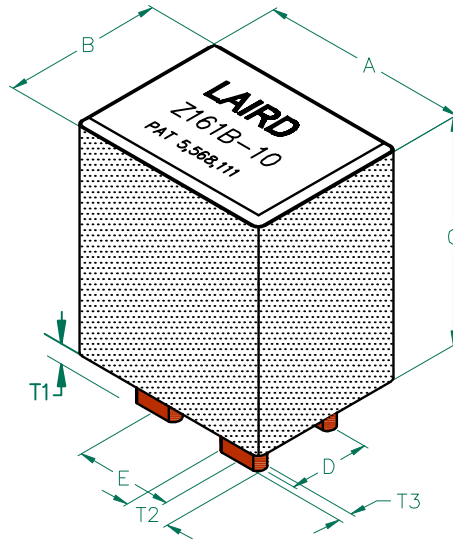
**UNCONTROLLED DOCUMENT**

**PHYSICAL DIMENSIONS:**

A	13.72 [.540]	+ 0.20 [.008]
B	10.41 [.410]	+ 0.15 [.006]
C	15.24 [.600]	+ 0.25 [.010]
D	5.28 [.208]	+ 0.13 [.005]
E	6.35 [.250]	+ 0.10 [.004]

**WIRE DIMENSIONS:**

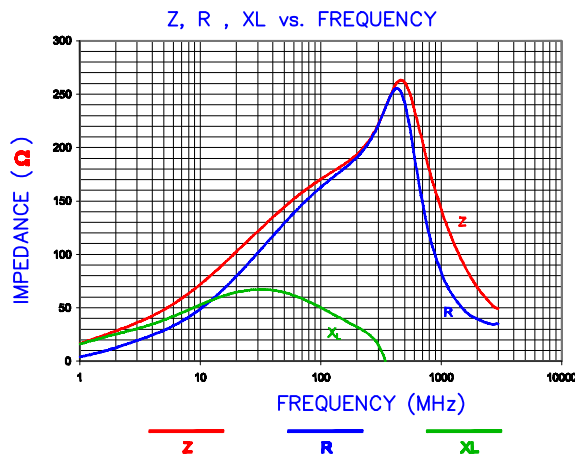
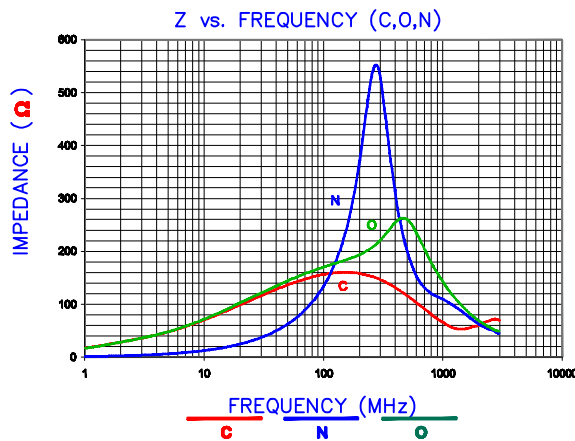
T1	3.05 [.120.]	+ 0.33 [.013]
T2	3.07 [.121]	+ 0.05 [.002]
T3	0.97 [.038]	+ 0.05 [.002]



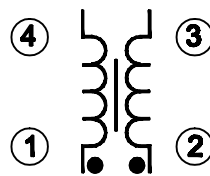
ELECTRICAL CHARACTERISTICS:		
Z @ 100MHz (Ω)	DCR (Ω)	Rated Current
Nominal	160	
Minimum	120	
Maximum	—	*75,000 mA

NOTES: UNLESS OTHERWISE SPECIFIED

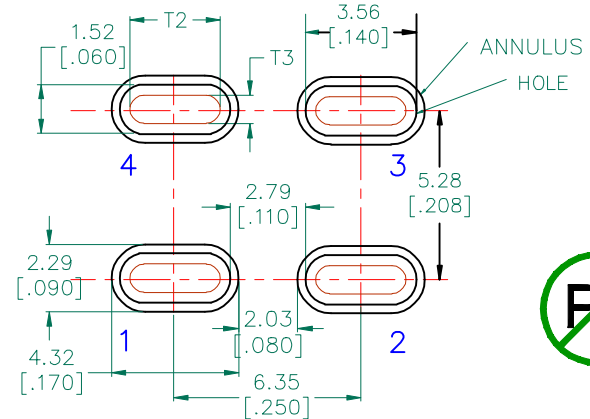
1. BULK PACKED, 858 PCS/BOX.
- 2.\* MAXIMUM CURRENT IS:  
30,000 mA @ 25° C RISE. 75,000 mA @ 30° C RISE.
3. COMPONENTS SHOULD BE ADEQUATELY PRE-HEATED BEFORE SOLDERING.
4. TERMINATION FINISH IS 100% TIN.



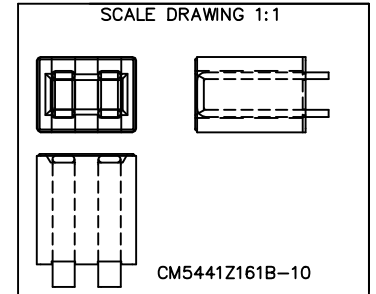
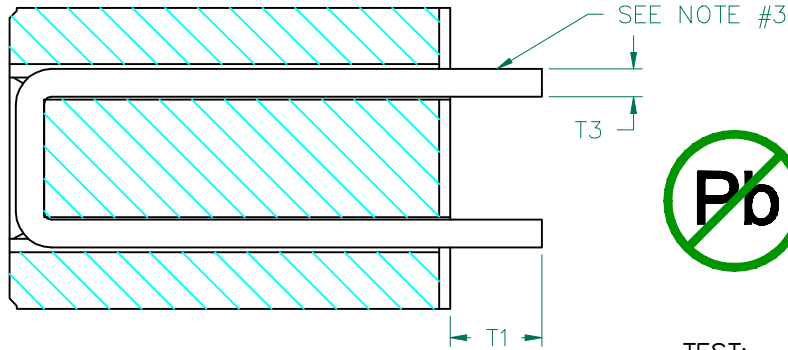
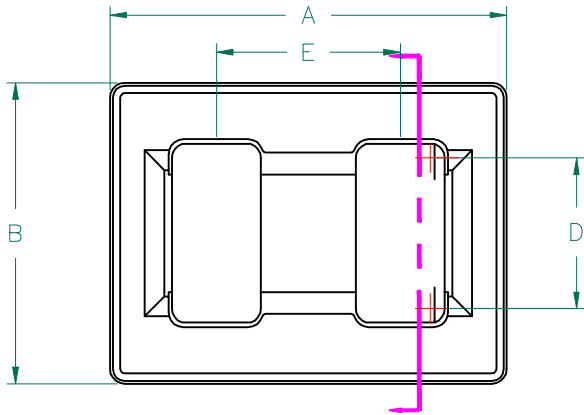
**EQUIVALENT CIRCUIT**



**HOLE PATTERN FOR WAVE SOLDERING**

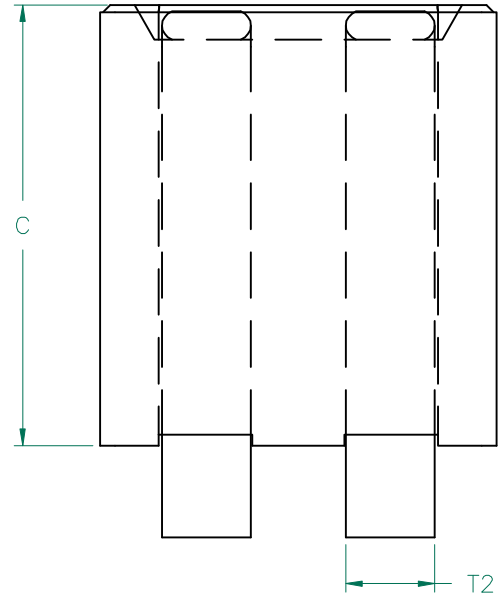


DIMENSIONS ARE mm IN [INCHES]				This print is the property of Laird Tech. and is loaned in confidence subject to return upon request and with the understanding that no copies shall be made without the written consent of Laird Tech. All rights to design or invention are reserved.	
F	CHANGE QUANTITY FROM 825	12/15/11	QIU		
E	UPDATE KAPTON LABEL	11/18/08	JRK		
D	CORRECT TOLS ON E DIMENSION	5/19/08	JRK		
C	ADD EQUIVALENT CIRCUIT W/PIN NUMBERS UPDATE COMPANY LOGO	05/01/08	JRK		
B	UPDATE LOGO ADD ROHS SYMBOL	1/07/08	JRK		
A	ORIGINAL DRAFT	05/24/04	JRK	DATE: 05/24/04	SCALE: NTS
REV	DESCRIPTION	DATE	INT	CAD #	TOOL #
				CM5441Z161B-10-F-2	H0540-1



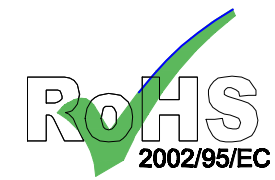
**ELECTRICAL TESTING**

TEST:	GROSS	GROSS
	Z	Z
FREQUENCY	25 MHz	100 MHz
NOMINAL	90 Ω	160 Ω
MINIMUM	- Ω	120 Ω
WEIGHT/1000	8.89 kgs.	19.6 lbs.



**LAIRD**  
Z161B-10  
PAT 5,568,111

LABEL



**UNCONTROLLED DOCUMENT**

**DIMENSIONS:**

A	13.72 [.540]	+ 0.20 [.008]
B	10.41 [.410]	+ 0.15 [.006]
C	15.24 [.600]	+ 0.25 [.010]
D	5.28 [.208]	+ 0.13 [.005]
E	6.35 [.250]	+ 0.10 [.004]

**WIRE DIMENSIONS:**

T <sub>1</sub>	3.05 [.120]	+ 0.33 [.013]
T <sub>2</sub>	3.07 [.121]	+ 0.05 [.002]
T <sub>3</sub>	0.97 [.038]	+ 0.05 [.002]

NOTES: UNLESS OTHERWISE SPECIFIED

1. MAXIMUM CURRENT IS:  
75,000 mA @ 30° C RISE.  
30,000 mA @ 25° C RISE.
2. REFERENCE STEWARD CORE P/N 24H0540-100.
3. REFERENCE STEWARD WIRE PURCHASE SPEC.W0540-11.
4. PROTECTED BY U.S. PATENT NO. 5,568,111.
5. TERMINATION FINISH IS 100% TIN.

DIMENSIONS ARE IN MM [INCHES].				This print is the property of Laird Tech. and is loaned in confidence subject to return upon request and with the understanding that no copies shall be made without the written consent of Laird Tech. All rights to design or invention are reserved.		<b>Laird TECHNOLOGIES</b>	
F	CHANGE QUANTITY FROM 825	12/15/11	QIU	PROJECT/PART NUMBER:		REV	DRAWN BY:
E	UPDATE KAPTON LABEL	11/18/08	JRK	CM5441Z161B-10		F	JRK
D	CORRECT TOLS ON E DIMENSION	5/19/08	JRK	DATE: 5/24/04		SCALE: 4 : 1	
C	ADD EQUIVALENT CIRCUIT W/PIN NUMBERS UPDATE COMPANY LOGO	05/01/08	JRK	MATERIAL:		3 of 3	
B	UPDATE LOGO ADD ROHS SYMBOL	1/07/08	JRK	TOOL # H0540-1			
A	ORIGINAL DRAFT	05/24/04	JRK	CAD # CM5441Z161-10-F-3			
REV	DESCRIPTION	DATE	INT				