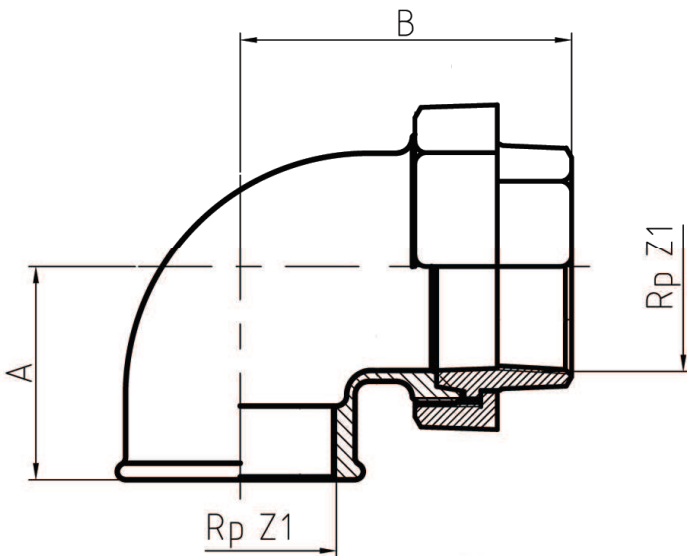


TECHNICAL INFORMATION

Type 96

Union elbow 90° taper seat F/F

UA11



SIZE	A [mm]	B [mm]	Rp Z1
3/8"	25	52	3/8"
1/2"	28	58	1/2"
3/4"	33	62	3/4"
1"	38	72	1"
1 1/4"	45	82	1 1/4"
1 1/2"	50	90	1 1/2"
2"	58	100	2"
2 1/2"	78	119	2 1/2"
3"	83	133	3"



Technical characteristics:

- products according to DIN EN 10242, Design Symbol A
- certified by DVGW CERT