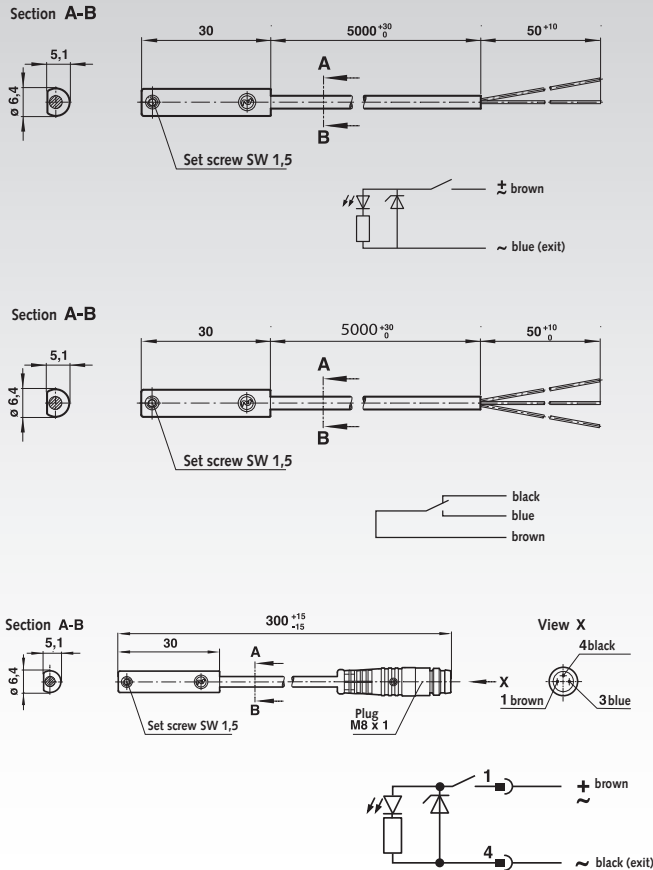


Magnetic Switches with Reed Contact



Materials:

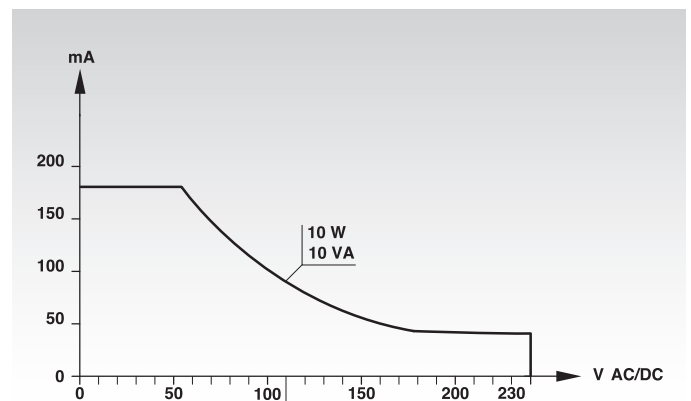
Housing: Plastic. Cable: PVC 2 x 0.25, PVC 3 x 0.25.
 Mode of operation: N/O with LED (yellow), change over contact without LED.
 Switching Voltage (U_b): 10 to 240 V AC/170 V DC.
 Switching Voltage output: $U_b - 2.7$ V.
 Switching current (see graph): 0.18 A max.
 Switching power: 10 W/10 VA max.

Note: Switch life may be greatly reduced if the maximum values for contact load, switching current and switching voltage are exceeded.

Contact resistance: 150 mW.
 Response time: 1.8 ms.
 Operating temperature: -20°C to $+80^\circ\text{C}$.
 Protection rating: IP 66 (DIN 40050).
 Shock resistance: 50 g (during 11 ms).
 Vibration resistance: 35 g (at 2000 Hz).

Ordering details: e.g.: Product No. 810 000 01, Magnetic Switch, N/O, 2 m cable

Product No.	Function	Cable Length m	Weight g
810 000 01	N/O, without Plug	5	92
810 000 02	Change-over, without Plug	5	92
810 000 03	N/O, with Plug	0,3	16



Plug-In Connector Cable for Prod.-No. 810 000 03

Material: PVC 3 x 0.25.

Product No.	Cable Length m	Weight g
810 000 00	5	150