

THIS DOCUMENT CONTAINS PROPRIETARY DATA OF POLARIS INDUSTRIAL ENTERPRISES, INC. NO DISCLOSURE, REPRODUCTION, OR USE OF ANY PART THERE OF MAY BE MADE EXCEPT BY WRITTEN PERMISSION.

REV.	BY	DATE	APPRVL.	P/N	MW22B
B	BT	2-24-99		MW22B-1	WAS ±0.25%

### SPECIFICATIONS

#### ELECTRICAL

RESISTANCE RANGE	100 TO 100,000 OHMS
RESISTANCE TOLERANCE	± 5%
INDEPENDENT LINEARITY	SEE CHART
POWER RATING	SEE CHART
ELECTRICAL NOISE	100 OHMS MAX.
ELECTRICAL ANGLE	SEE CHART
END RESISTANCE	1 OHM OR 1% MAX.
RESOLUTION	SEE CHART
INSULATION RESISTANCE	1000 MEGOHMS MIN, @ 500VDC
DIELECTRIC STRENGTH	1000 VAC MIN.

#### MECHANICAL

MECHANICAL ANGLE	SEE CHART
STOP STRENGTH	48 OZ.IN.
STARTING TORQUE	1.4 OZ. IN. MAX.
ROTATIONAL LIFE	1,000,000 REVOLUTIONS
WEIGHT	0.8 OZ.

#### ENVIRONMENTAL

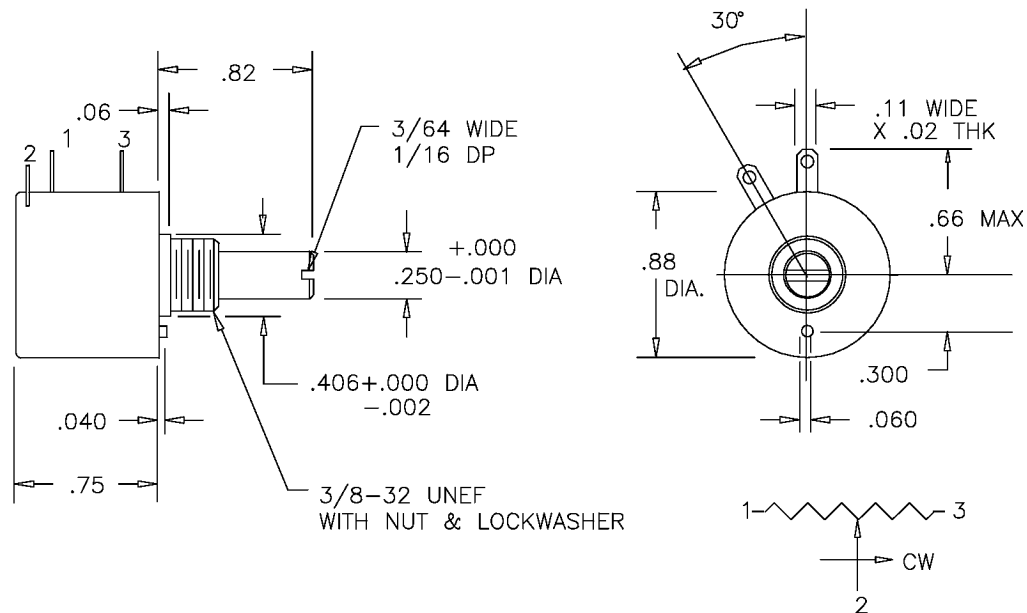
OPERATING TEMPERATURE	-55° TO +105°C
TEMPERATURE COEFFICIENT	SEE CHART
VIBRATION	10Hz TO 2,000Hz 15G
MOISTURE RESISTANCE	40°C95%RH 120 HOURS
SHOCK	50G 11ms

#### MATERIALS

HOUSING	HIGH TEMP. THERMO PLASTIC
TERMINALS	GOLD PLATED BRASS
BUSHING	BRASS
SHAFT	STAINLESS STEEL
RESISTIVE ELEMENT	WIREWOUND

#### NON-STANDARDS AVAILABLE

MULTI-GANGED UP TO 6 SECTIONS  
 REAR SHAFT EXTENTION  
 FRONT SHAFT MODIFICATIONS



#### RESOLUTION CHART

RESISTANCE (OHMS)	50	100	200	500	1K	2K	5K	10K	20K	50K	100K
MW22B-1 TURN	0.60	0.50	0.40	0.30	0.25	0.20	0.20	0.16			
MW22B-3 TURN	.15	.12	.090	.070	.056	.058	.045	.036	.030	.027	
MW22B-5 TURN	.10	.08	.064	.050	.040	.042	.032	.026	.021	.019	
MW22B-10 TURN	.06	.05	.040	.030	.025	.020	.020	.016	.013	.010	.009
TEMPERATURE COEFFICIENT PPM/°C	80					20					

MODEL	ELECTRICAL ANGLE	MECHANICAL ANGLE	LINEARITY INDEPENDENT	POWER RATING
MW22B-1	360°±5°	360°+10°/-0°	±0.5%	0.5WATT
MW22B-3	1080°±5°	1080°+10°/-0°	±0.5%	1 WATT
MW22B-5	1800°±5°	1800°+10°/-0°	±0.3%	1 WATT
MW22B-10	3600°±5°	3600°+10°/-0°	±0.25%	2 WATT

**TOLERANCES**  
 XX = +/- .010" FRACT. = +/- 1/64"  
 XXX = +/- .005" ANGLES = +/- 1/2"  
 ALL SPECIFICATIONS SUBJECT TO CHANGE WITHOUT NOTICE.

SCALE	DATE: 4-18-85
NONE	BY BT
	APPRV'D
CODE IDENT:	19477



ETI SYSTEMS  
 CARLSBAD CALIFORNIA

TITLE  
 MULTI-TURN  
 POTENTIOMETER

PART NO.  
 MW22B