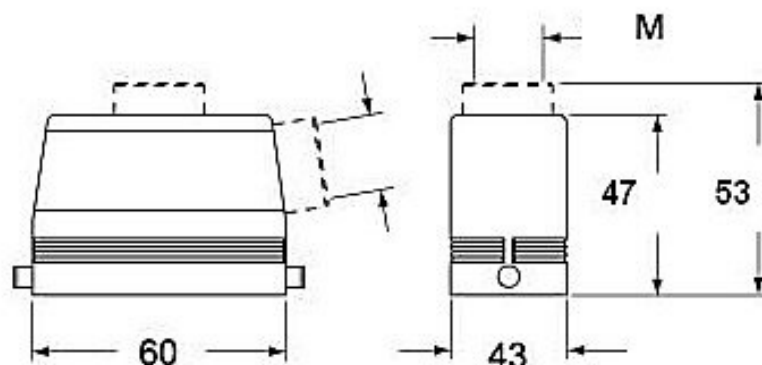
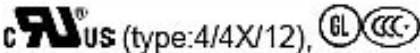


## Product Sheet



**Part Number:** MHV 06 L20



<b>Family</b>	CH - CA and MH - MA enclosures
<b>Version</b>	metal version
<b>Series</b>	hoods for single lever
<b>Product type</b>	with 2 pegs
<b>Type</b>	top entry
<b>Quality mark</b>	
<b>IP degree of protection</b>	IP66 (EN 60529) and IP69K (DIN 40050 - 9) degree of protection.
<b>Cable entry</b>	M 20
<b>Fixing centre distance</b>	size "44.27"
<b>Material</b>	metal
<b>Barcode EAN13</b>	8015747055352

The information and the dimensions contained are not binding and may be changed without prior notice.  
The drawing's dimensions are in mm.