



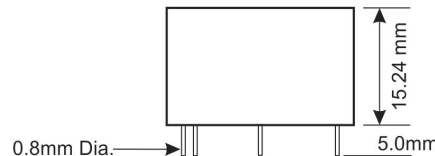
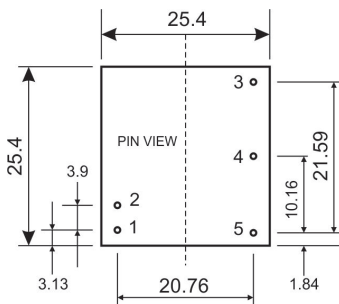
Features:



- 5W Ultra Compact Size
- Single Output - Regulated
- Output Range: 3.3V - 48VDC
- Input: 90 - 264VAC , 47 - 63Hz
- Low Standby Power <0.3W
- Low Ripple & Noise
- Encapsulated Design
- Fully Isolated Pri - Sec
- Materials: UL94-V0
- Safety: EN61558, EN60950, CE

Part Number	Power Rating Watts	Output Voltage (VDC)	Output Current (mA)	Ambient Temp. (°C)	Efficiency Typical	Input Range
VTX-214-005-003	5	3.3	1515	70	>74%	90 - 264VAC (100 - 370VDC)
VTX-214-005-005	5	5	1000			
VTX-214-005-006	5	6	833			
VTX-214-005-007	5	7.5	666			
VTX-214-005-008	5	8	625			
VTX-214-005-009	5	9	555			
VTX-214-005-010	5	10	500			
VTX-214-005-012	5	12	416			
VTX-214-005-015	5	15	333			
VTX-214-005-018	5	18	277			
VTX-214-005-024	5	24	210			
VTX-214-005-048	5	48	104			

Note: Other output voltages are available upon request.



Note: Maximum diameter of solder pads for pin 1 & 2 should be 1.3mm Dia.

(Tolerances: x.xx = ± 0.05, x.x = ± 0.5)

Unit weight: 18g

- Pin 1: Input N
- Pin 2: Input L
- Pin 3: NC
- Pin 4: Output DC 0V
- Pin 5: Output DC +V

Please contact Vigortronix for any enquiries. Products can be altered to suit custom requirements. The information contained in this document is subject to change without notice.

Vigortronix, 16 De Havilland Way, Witney, Oxfordshire, OX29 0YG, UK

Tel. +44 (0)1993 777570 Fax. +44 (0)1993 777580 Web. www.vigortronix.com E-mail: sales@vigortronix.com

Vigortronix is a trading name of Vigortronix (UK) Limited

Model: 5 Watt		Specification
INPUT Pin 1: N Pin 2: L	Voltage Range	90 - 264VAC / 47 - 63Hz
	Current	150mA Max (100VAC) / 100mA Max (240VAC)
	Inrush Current	25A Max (100VAC) / 35A Max (240VAC)
	No Load power	<0.3W Max
	Leakage Current	0.25 mA Max
OUTPUT Pin 5: DC+ Pin 4: DC- Pin 3: N/A	Voltage Accuracy	5%
	Ripple / Noise	<5% Vout Max (Vp-p)
	Hold-up Time	15ms
	Efficiency	>74%
	Minimum Load	0
Protection	Over Power	Hiccup mode
	Over Voltage	Hiccup mode
	Short Circuit Protection	Hiccup mode
Dielectric Isolation	Input to Output	3000Vrms, 5mA 1 Min (4200VAC / 2Sec)
Environment	Operating Temperature	-25°C - +70°C (See derating curve)
	Storage Temperature	-40°C - +105°C
	MTBF	>3000,000Hrs @ 25°C (MIL-HDBK-217F)
	Weight	18g
Safety	Agency Approval	IEC60950-1, EN60950-1, IEC61558-1/EN61558-1, EN61558-2-6, EN61558-2-17
EMC	EMI	Compliance with EN55022 Class B (with external components)
	EMS	Compliance with EN55024, EN55014-1, EN55014-2, EN61000-3-2 Class A, EN61000-3-3

Please contact Vigortronix for any enquiries. Products can be altered to suit custom requirements.
 The information contained in this document is subject to change without notice.

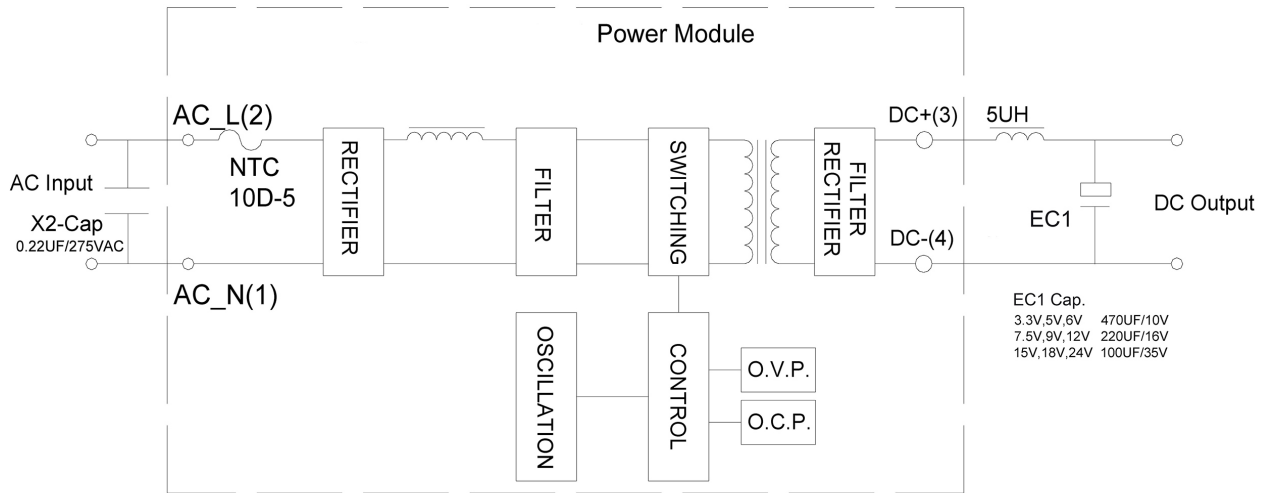
Vigortronix, 16 De Havilland Way, Witney, Oxfordshire, OX29 0YG, UK

Tel. +44 (0)1993 777570 Fax. +44 (0)1993 777580 Web. www.vigortronix.com E-mail: sales@vigortronix.com

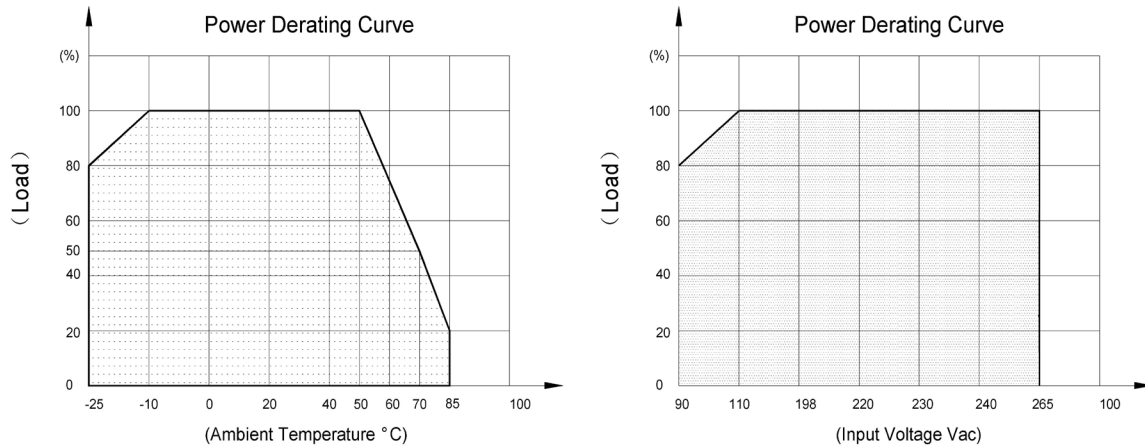
Vigortronix is a trading name of Vigortronix (UK) Limited

Vigortronix.com

Recommended Application Schematic for EMC



Derating Graph



Please contact Vigortronix for any enquiries. Products can be altered to suit custom requirements.
 The information contained in this document is subject to change without notice.

Vigortronix, 16 De Havilland Way, Witney, Oxfordshire, OX29 0YG, UK

Tel. +44 (0)1993 777570 Fax. +44 (0)1993 777580 Web. www.vigortronix.com E-mail: sales@vigortronix.com

Vigortronix is a trading name of Vigortronix (UK) Limited

Vigortronix.com