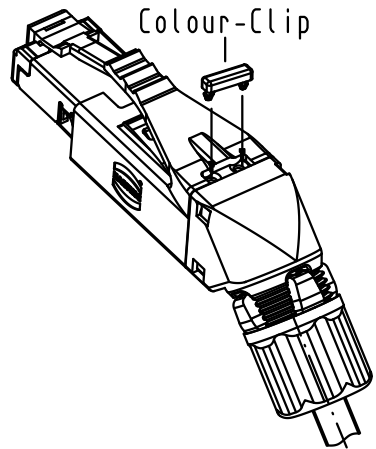


on request: colour-clip with RFID slot  
TB 09 45 850 00xx



All Dimensions in mm Original Size DIN A 4			Techn. Character.			Nicht tolerierte Maßel Free size tolerances		
				Dat.	Name	Maßstab/Scale  2:1	<b>HARTING RJ Industrial® 10G Plug, angled</b>	
			Detail.	18.11.11	hsv			
			Insp.	18.11.11	Li			
			Stand.					
			HARTING Electronics GmbH & Co. KG D-32339 ESPELKAMP				<b>TB 09 45 151 1561</b>	
Mod.	Dat.	Name						