

Features

- Electronically commutated DC motor
- With polarity reversal and blocking protection
- High output, quiet running
- Connecting wires 280 mm AWG 24
- Speed control
- Signal output



Specification

Rated Voltage	24 VDC
Operating Voltage	14 ... 26.4 V
Rated Speed	13000 rpm
Rated Current	270 mA
Rated Power	6.48 W
Max. Airflow	23.8 CFM, 40.4 m ³ /h
Max. Air Pressure	1.33 inch-H ₂ O, 33.65 mm-H ₂ O
Noise	54 dBA, 58 dBA max.
Wire	2 Leads - 300 mm
Insulation Resistance	10 MOhm min. @ 500 VDC
Dielectric Strength	5 mA max @ 500 VAC 60 Hz 1 min.
Service Life	70000 hours @ 40 °C

Mechanical

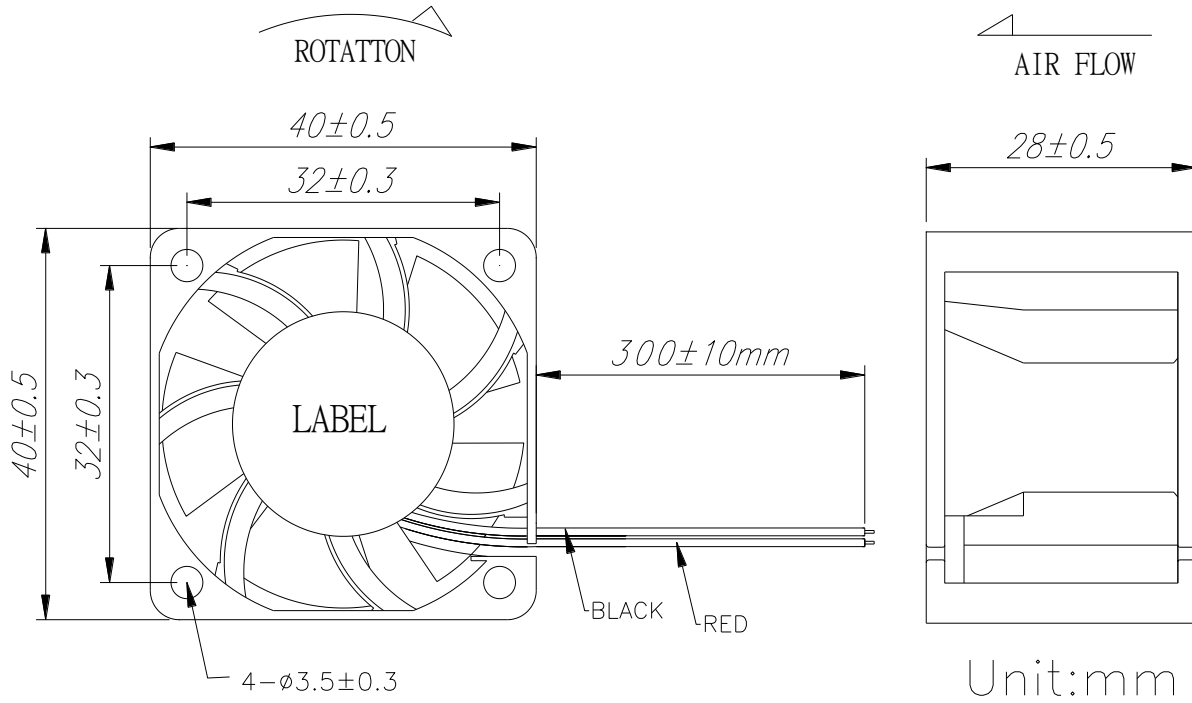
Fan Size (See Dimension Drawing in Page 2)	40 x 40 x 28 mm
Frame	Thermoplastic Black / PBT 15% gf of UL94-V0
Fan Blade	Thermoplastic Black / PBT 15% gf of UL94-V0
Bearing	Ball Bearing
Weight	40 g

Environment

Ambient Operating Temperature	-10 ... 70 °C
Storage Temperature	-40 ... 75 °C
Operation Humidity	5 ... 90 % RH
Storage Humidity	5 ... 95 % RH

DC Axial Fan

Drawing



P-Q Curve

