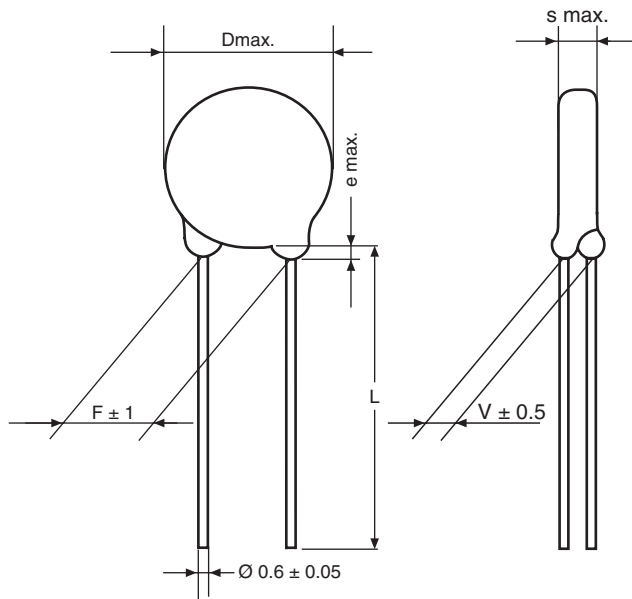


Ceramic Disc Capacitors, Class 2



Dimensions in mm

	COATING EXTENSION e	BULK STANDARD LEAD LENGTH L
All types	3 max.	30.0 + 0 - 3 or 6.0 + 0 - 1

INSULATION RESISTANCE R_{IS} :

$\geq 5 \cdot 10^9 \Omega$

MARKING:

Capacitance value	Clear text
Capacitance tolerance	with letter code
Ceramic dielectric	with letter code
	HSZ series: 'D'
	HSE series: 'E'

FEATURES:

- Terminations are lead (Pb)-free
- Product is RoHS compliant



DESIGN:

Disc capacitors with epoxy coating

RATED VOLTAGE U_R :

500 V_{DC}

DIELECTRIC STRENGTH BETWEEN LEADS:

Component test

1250 V_{DC} , 2s

DISSIPATION FACTOR $\tan \delta$:

$\leq 30 \cdot 10^{-3}$

CATEGORY TEMPERATURE RANGE ϑ_A :

(- 40 to + 85) °C

CLIMATIC CATEGORY ACC. TO EN 60068-1:

40 / 085 / 21

COATING:

Epoxy dipped, insulating, flame retarding acc. to UL 94V-0

TEMPERATURE CHARACTERISTIC OF CAPACITANCE:

See diagrams in General Information

TAPING AND SPECIAL LEAD CONFIGURATIONS:

On request

ORDERING INFORMATION

HSE	471	K	AQ	BF0	K	R
MODEL	CAPACITANCE VALUE	TOLERANCE	RATED VOLTAGE	LEAD CONFIGURATION	INTERNAL CODE	RoHS COMPLIANT



ORDERING INFORMATION, CERAMIC DISC CAPACITORS, 500 V (DC)								
C (pF)	TOL. (%)	D x s (mm)	F ± 1* (mm)	d ± 0.05* (mm)	V ± 0.5* (mm)	CERAMIC CODE	ORDERING CODE	
CLASS 2 K 2000								
10	± 20 %	6.0 x 3.0	5	0.6	Z		HSZ100□AQ□□KR	
12		6.0 x 3.0					HSZ120□AQ□□KR	
15		6.0 x 3.0					HSZ150□AQ□□KR	
18		6.0 x 3.0					HSZ180□AQ□□KR	
22		6.0 x 3.0					HSZ220□AQ□□KR	
27		6.0 x 3.0					HSZ270□AQ□□KR	
33		6.0 x 3.0					HSZ330□AQ□□KR	
39		6.0 x 3.0					HSZ390□AQ□□KR	
47		6.0 x 3.0					HSZ470□AQ□□KR	
56		6.0 x 3.0					HSZ560□AQ□□KR	
68		6.0 x 3.0					HSZ680□AQ□□KR	
82		6.0 x 3.0					HSZ820□AQ□□KR	
100		6.0 x 3.0					HSZ101□AQ□□KR	
120		6.0 x 3.0					HSZ121□AQ□□KR	
150		6.0 x 3.0					HSZ151□AQ□□KR	
180		6.0 x 3.0					HSZ181□AQ□□KR	
220		± 10 %					6.0 x 3.0	HSZ221□AQ□□KR
270							6.0 x 3.0	HSZ271□AQ□□KR
330							6.0 x 3.0	HSZ331□AQ□□KR
390							6.0 x 3.0	HSZ391□AQ□□KR
470	6.0 x 3.0		HSZ471□AQ□□KR					
560	7.0 x 3.0		HSZ561□AQ□□KR					
680	7.0 x 3.0		HSZ681□AQ□□KR					
820	7.0 x 3.0		HSZ821□AQ□□KR					
1000	7.0 x 3.0		HSZ102□AQ□□KR					
1200	8.0 x 3.0		HSZ122□AQ□□KR					
1500	8.0 x 3.0	HSZ152□AQ□□KR						
1800	8.0 x 3.0	HSZ182□AQ□□KR						
2200	9.0 x 3.0	HSZ222□AQ□□KR						
2700	11.0 x 3.0	HSZ272□AQ□□KR						
3300	11.0 x 3.0	HSZ332□AQ□□KR						
3900	13.0 x 3.0	HSZ392□AQ□□KR						
4700	13.0 x 3.0	HSZ472□AQ□□KR						
CLASS 2 K 4000								
470	+ 50 - 20 %	6.0 x 3.0	5	0.6	E		HSE471□AQ□□KR	
680		6.0 x 3.0					HSE681□AQ□□KR	
1000		6.0 x 3.0					HSE102□AQ□□KR	
1500		7.0 x 3.0					HSE152□AQ□□KR	
2200		7.0 x 3.0					HSE222□AQ□□KR	
3300	(± 20 %)**	11.0 x 3.0	7.5	1.1	HSE332□AQ□□KR			
4700		11.0 x 3.0		1.1	HSE472□AQ□□KR			
6800		13.0 x 3.0		1.1	HSE682□AQ□□KR			
8200		15.0 x 4.0		1.2	HSE822□AQ□□KR			
0.01 μF		15.0 x 4.0		1.2	HSE103□AQ□□KR			

* Standard lead configuration, other lead spacing and diameter available on request.
 ** ± 20 % available on request.

ORDERING CODE			
□	7th digit	Capacitance tolerance	± 10 % = K ± 20 % = M + 50 - 20 % = S
□□□	10th to 12th digit	Lead configuration (See General Information)	
R	14th digit	RoHS Compliant Component	



Notice

Specifications of the products displayed herein are subject to change without notice. Vishay Intertechnology, Inc., or anyone on its behalf, assumes no responsibility or liability for any errors or inaccuracies.

Information contained herein is intended to provide a product description only. No license, express or implied, by estoppel or otherwise, to any intellectual property rights is granted by this document. Except as provided in Vishay's terms and conditions of sale for such products, Vishay assumes no liability whatsoever, and disclaims any express or implied warranty, relating to sale and/or use of Vishay products including liability or warranties relating to fitness for a particular purpose, merchantability, or infringement of any patent, copyright, or other intellectual property right.

The products shown herein are not designed for use in medical, life-saving, or life-sustaining applications. Customers using or selling these products for use in such applications do so at their own risk and agree to fully indemnify Vishay for any damages resulting from such improper use or sale.