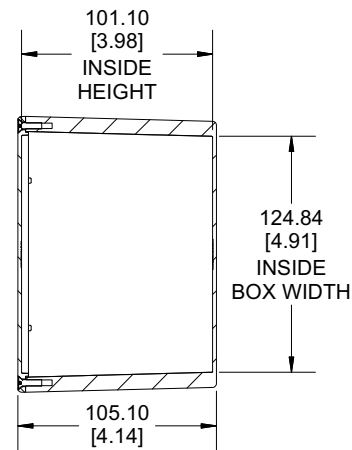
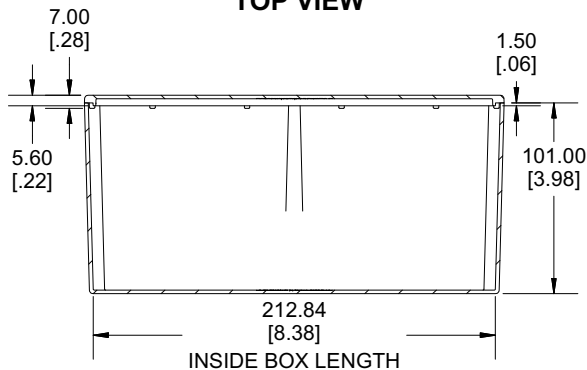
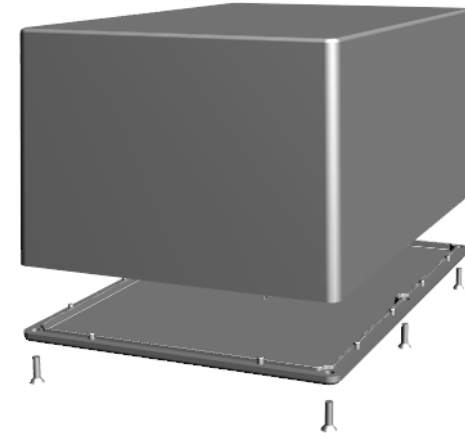


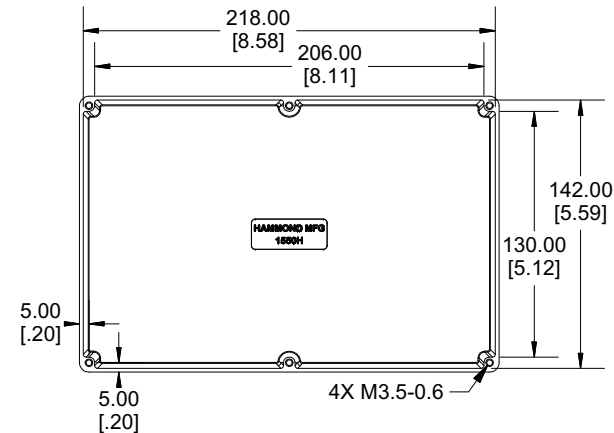
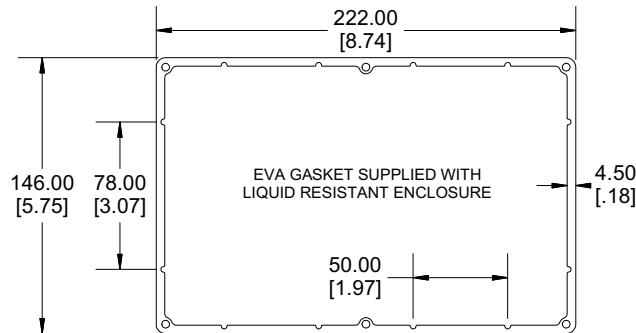
**TOP VIEW**



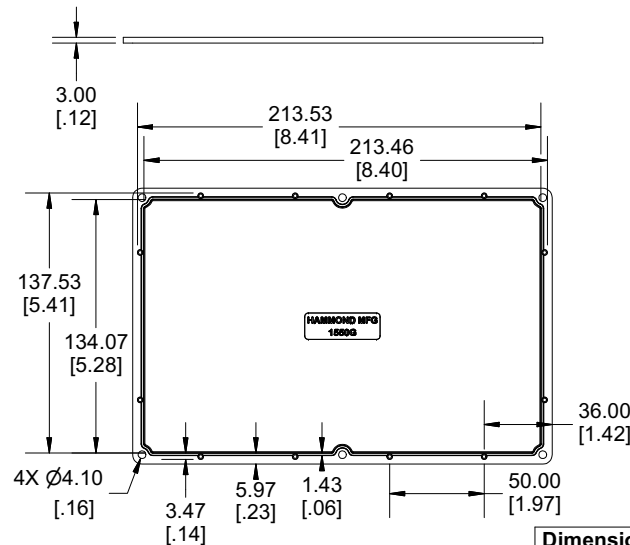
**SECTION A-A  
END VIEW**



**SECTION B-B  
SIDE VIEW**



**INSIDE BOX**



**INSIDE LID**

**Dimensions:**  
mm  
[inches]

Enclosures can be Factory Modified ( Milling, Drilling, Printing etc.)  
Contact Factory [mjm@hammondmfg.com](mailto:mjm@hammondmfg.com) for quotes  
Solid models of this enclosure available in STEP or IGES.

**NOTE**

Purchased assembly includes box, lid and 6 cover screws.  
Box and lid are made from Diecast Aluminum Alloy.  
EVA Gasket supplied with liquid resistant enclosure.

**PART NUMBERS**

**1550H Enclosure**

|  |          |
|--|----------|
| Natural Finish Enclosure                             | 1550H    |
| Black Textured Enclosure                             | 1550HBK  |
| <b>1550H Liquid Resistant Enclosure (EVA Gasket)</b> |          |
| Natural Finish Enclosure                             | 1550WH   |
| Black Textured Enclosure                             | 1550WHBK |

**ACCESSORIES**

**Recommended Torque: 75 ozf.in / 55 cN.m**

**Standard Cover Screws**

|  |              |
|--|--------------|
| Plated Cover Screws (Pkg 100)<br>[M3.5-0.6 x 12mm] | 1550MS100    |
| Black Cover Screws (Pkg 100)<br>[M3.5-0.6 x 12mm]  | 1550MS100BK  |
| EVA Pre-formed Gasket Black                        | 1550GEGASKET |
| Silicone Pre-formed Gasket Black                   | 1550GSGASKET |

