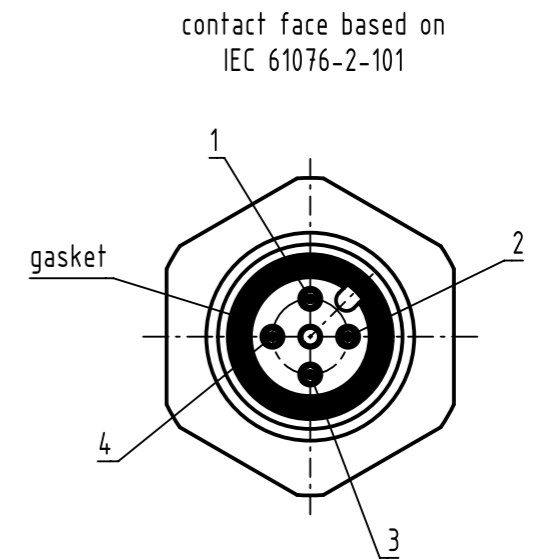
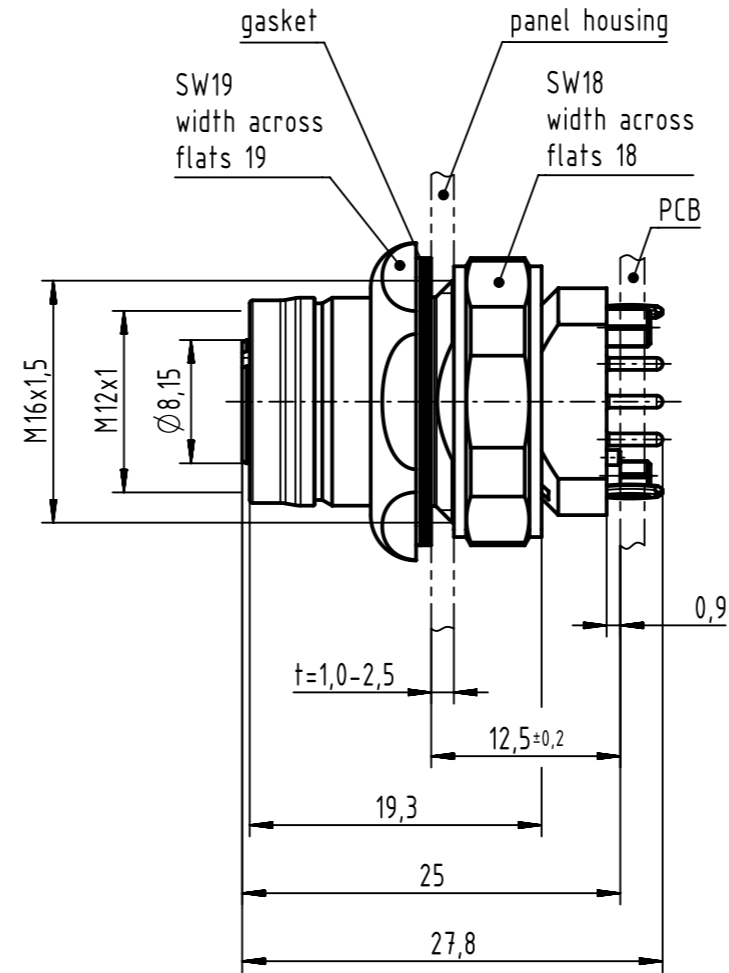
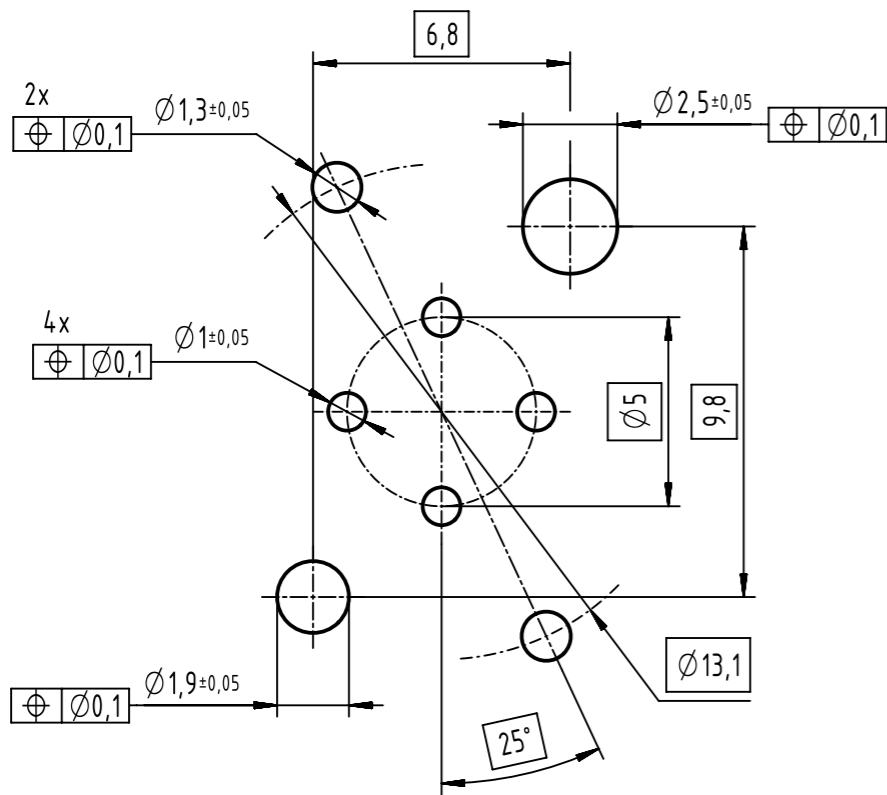
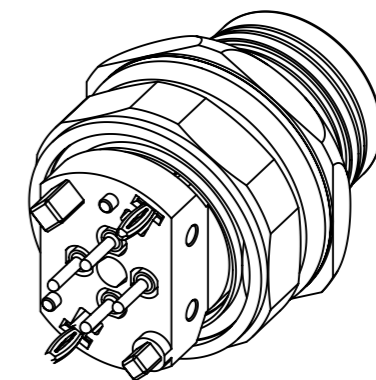
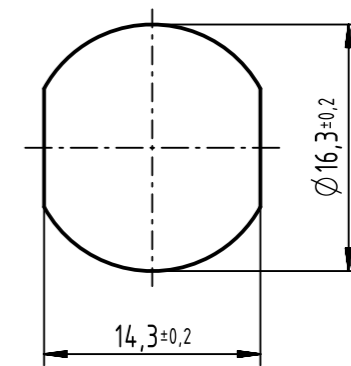


Ø21

**A (5:1)**  
recommended PCB-layout



panel cut out



- 1 pcs. single package

	All rights reserved		Created by HASSE		Inspected by EISFELD		Standardisation HOFFMANN		Date 2015-07-14		State Final Release	
	Department EC PD - DE		Title HARTING M12 PCB receptacle female A-coded 4-pole front		Doc-Key / ECM-Nr. 100584225/UGD/000/C 50000091627		Type TB		Number 21033212431		Rev. C	
HARTING Electronics GmbH D-32339 Espelkamp		All Dimensions in mm Original Size DIN A3		Scale 2:1		Free size tol.		Ref.		Sub.		
										Page 1/1		