

5-1971800-3 ✓ ACTIVE

Grace Inertia | GRACE INERTIA 2.5

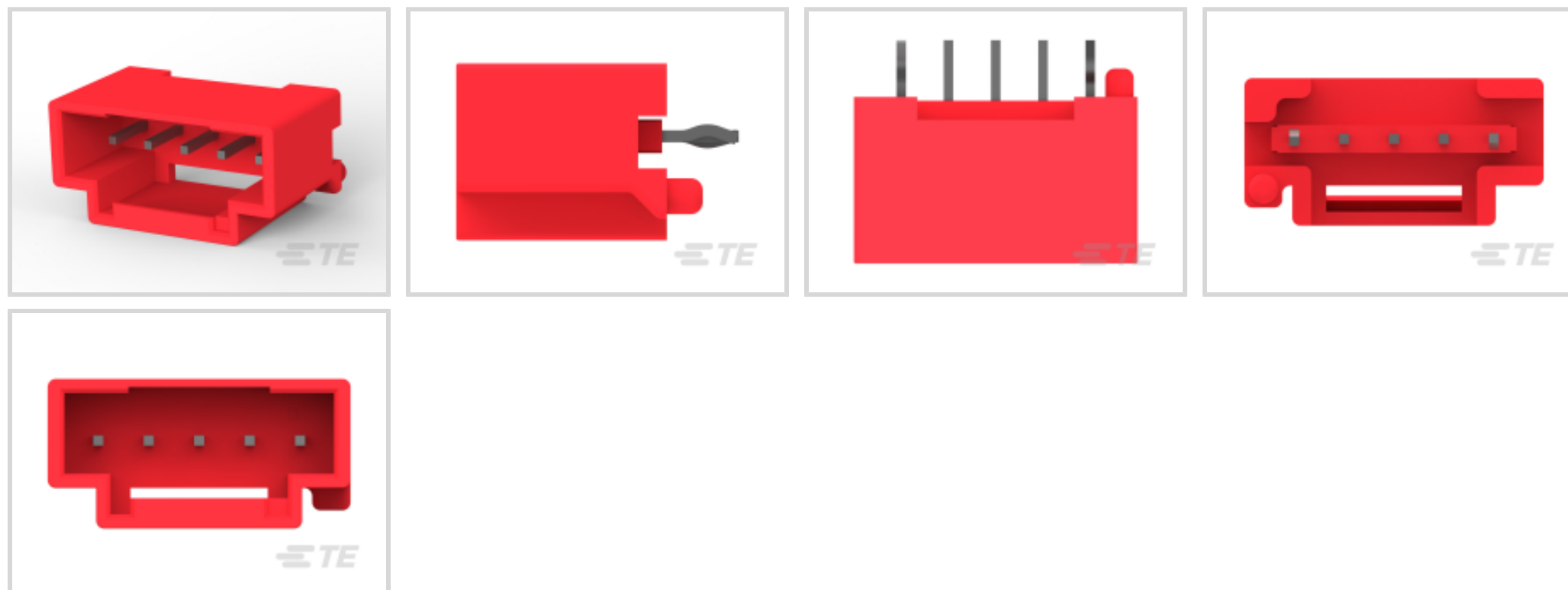
TE Internal #: 5-1971800-3

GRACE INERTIA 2.5, PCB Mount Header, Vertical, Wire-to-Board, 5 Position, 2.5mm [.098in] Centerline, 1 Row, Tin, Red Housing Color, Fully Shrouded

[View on TE.com >](#)



Connectors > PCB Connectors > Wire-to-Board Connectors > Wire-to-Board Headers & Receptacles > Glow Wire Sig GRACE INERTIA Header



PCB Connector Assembly Type: **PCB Mount Header**

PCB Mount Orientation: **Vertical**

Connector System: **Wire-to-Board**

Number of Positions: **5**

Centerline (Pitch): **2.5 mm [ .098 in ]**

[All Glow Wire Sig GRACE INERTIA Header \(39\)](#)

## Features

### Product Type Features

PCB Connector Assembly Type	PCB Mount Header
Connector System	Wire-to-Board
Header Type	Fully Shrouded
Sealable	No
Connector & Contact Terminates To	Printed Circuit Board

### Configuration Features

Keying Code	C
PCB Mount Orientation	Vertical
Number of Positions	5
Number of Rows	1

### Electrical Characteristics

Operating Voltage	50 VAC
-------------------	--------



### Contact Features

Contact Layout	Inline
Mating Square Post Dimension	.5 mm[.02 in]
Contact Retention Within Housing	Without
PCB Contact Termination Area Plating Material Thickness	1 $\mu$ m[39.37 $\mu$ in]
Mating Tab Width	.5 mm[.02 in]
Contact Underplating Material Thickness	1.27 $\mu$ m[50 $\mu$ in]
PCB Contact Termination Area Plating Material Finish	Matte
Contact Shape & Form	Square
Contact Underplating Material	Nickel
PCB Contact Termination Area Plating Material	Tin
Contact Base Material	Brass
Contact Mating Area Plating Material	Tin
Contact Mating Area Plating Material Finish	Matte
Contact Mating Area Plating Material Thickness	1 $\mu$ m[39.37 $\mu$ in]
Contact Type	Tab
Contact Current Rating (Max)	3 A

### Termination Features

Rectangular Termination Post & Tail Thickness	.46 mm[.018 in]
Rectangular Termination Post & Tail Width	.46 mm[.018 in]
Termination Post & Tail Length	3 mm[.118 in]
Termination Method to Printed Circuit Board	Through Hole - Solder

### Mechanical Attachment

PCB Mount Alignment Type	Locating Posts
Strain Relief	Without
Mating Alignment Type	Keyed
Mating Alignment	With
PCB Mount Retention Type	Kinked
Mating Retention Type	Latch
PCB Mount Alignment	With
Mating Retention	With
PCB Mount Retention	With
Connector Mounting Type	Board Mount



### Housing Features

Centerline (Pitch)	2.5 mm[.098 in]
Housing Color	Red
Housing Material	Nylon

### Dimensions

Connector Length	15 mm[.59 in]
Connector Height	8.8 mm[.34 in]
Connector Width	7.38 mm[.29 in]
PCB Thickness (Recommended)	1.6 mm[.063 in]

### Usage Conditions

Operating Temperature Range	-30 – 105 °C[-22 – 221 °F]
-----------------------------	----------------------------

### Operation/Application

Circuit Application	Signal
---------------------	--------

### Industry Standards

Glow Wire Rating	Glow Wire
UL Flammability Rating	UL 94V-0
Agency/Standard	UL
UL Rating	Recognized
UL File Number	E28476

### Packaging Features

Packaging Quantity	900
Packaging Method	Bag/Box

### Other

Comment	Mating with 5-1971793-X
---------	-------------------------

### Product Compliance

[For compliance documentation, visit the product page on TE.com>](#)

EU RoHS Directive 2011/65/EU	Compliant
EU ELV Directive 2000/53/EC	Compliant
China RoHS 2 Directive MIIT Order No 32, 2016	No Restricted Materials Above Threshold
EU REACH Regulation (EC) No. 1907/2006	Current ECHA Candidate List: JAN 2021 (211)



Candidate List Declared Against: JAN 2021 (211)

Does not contain REACH SVHC

Halogen Content

Not Low Halogen - contains Br or Cl > 900 ppm.

Solder Process Capability

Not reviewed for solder process capability

Product Compliance Disclaimer

This information is provided based on reasonable inquiry of our suppliers and represents our current actual knowledge based on the information they provided. This information is subject to change. The part numbers that TE has identified as EU RoHS compliant have a maximum concentration of 0.1% by weight in homogenous materials for lead, hexavalent chromium, mercury, PBB, PBDE, DBP, BBP, DEHP, DIBP, and 0.01% for cadmium, or qualify for an exemption to these limits as defined in the Annexes of Directive 2011/65/EU (RoHS2). Finished electrical and electronic equipment products will be CE marked as required by Directive 2011/65/EU. Components may not be CE marked. Additionally, the part numbers that TE has identified as EU ELV compliant have a maximum concentration of 0.1% by weight in homogenous materials for lead, hexavalent chromium, and mercury, and 0.01% for cadmium, or qualify for an exemption to these limits as defined in the Annexes of Directive 2000/53/EC (ELV). Regarding the REACH Regulation, the information TE provides on SVHC in articles for this part number is based on the latest European Chemicals Agency (ECHA) 'Guidance on requirements for substances in articles' posted at this URL: <https://echa.europa.eu/guidance-documents/guidance-on-reach>

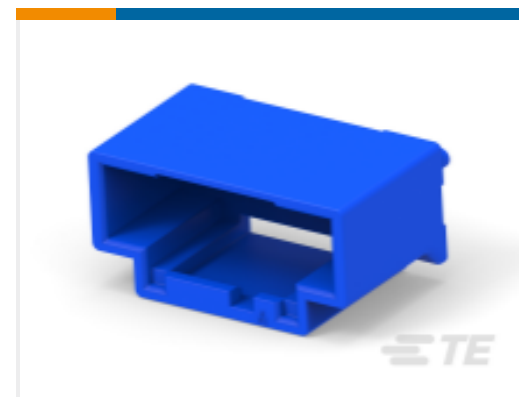
## Compatible Parts



TE Part # CAT-G7534A-H342A  
Glow Wire Sig GRACE INERTIA Header



TE Part # 5-1971797-1  
NEW GI CONN2.5 HDR HSG 5P NC D1.0



TE Part # 5-1971797-2  
NEW GI CONN2.5 HDR HSG 5P BLU D1.0



TE Part # 5-1971797-4  
NEW GI CONN2.5 HDR HSG 5P YLW D1.0

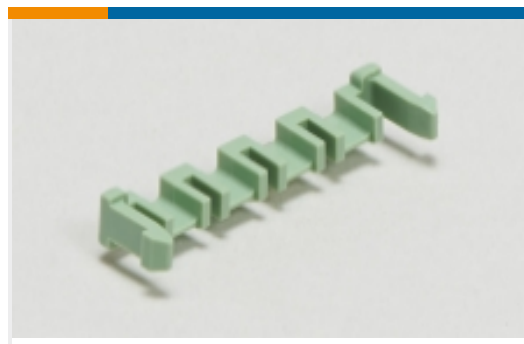


TE Part # 5-1971798-5  
NEW GI CONN2.5 HDR ASMBLY 5P BLK D1.0

Also in the Series | **GRACE INERTIA 2.5**



Connector Contacts(2)



PCB Latches, Locks & Retainers(5)



Rectangular Connector Housings(49)



Rectangular Connector Locking(2)



Rectangular Power Connectors(36)



Wire-to-Board Connector Assemblies & Housings(69)

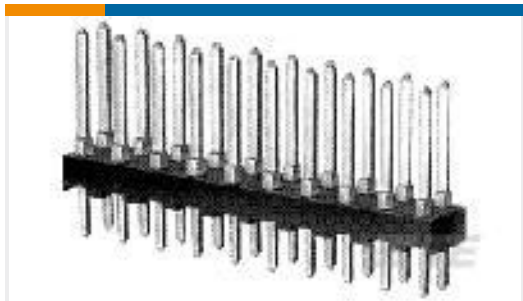


Wire-to-Board Connector Contacts(4)



Wire-to-Board Headers & Receptacles (138)

## Customers Also Bought



TE Part #87227-8  
16 MODII HDR DRST UNSHRD .100



TE Part #104257-9  
10 MTE RCPT HSG SR LATCH .100



TE Part #103653-1  
02 MTE SHRD PIN HSG SR LATCH



TE Part #1445049-4  
FREE HANG SNGL ROW HSG 4 POS



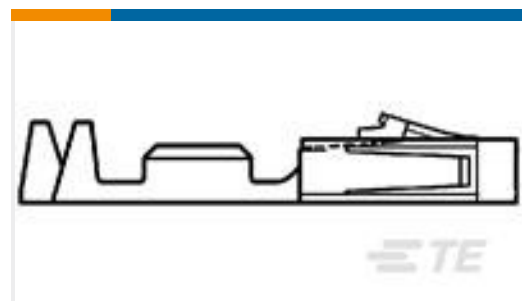
TE Part #1-794609-1  
PIN CONT 26-30 15 GOLD STRIP



TE Part #1-2176343-1  
CRGCQ 1206 68R 1%



TE Part #2-1971800-1  
Glow Wire Sig GRACE INERTIA Header



TE Part #1-104481-1  
SHORT POINT CONT 30 DPLX STMPD LF



TE Part #1586344-1  
MICRO MATENLOK EXTRACTION TOOL

## Documents





**Product Drawings**

[NEW GI CONN2.5 HDR ASMBLY 5P RED D1.5](#)

English

[NEW GI CONN2.5 HDR ASMBLY 5P RED D1.5](#)

English

---

**CAD Files**

[3D PDF](#)

3D

**Customer View Model**

[ENG\\_CVM\\_CVM\\_5-1971800-3\\_E\\_c-5-1971800-3-e.2d\\_dxf.zip](#)

English

**Customer View Model**

[ENG\\_CVM\\_CVM\\_5-1971800-3\\_E\\_c-5-1971800-3-e.3d\\_igs.zip](#)

English

**Customer View Model**

[ENG\\_CVM\\_CVM\\_5-1971800-3\\_E\\_c-5-1971800-3-e.3d\\_stp.zip](#)

English

By downloading the CAD file I accept and agree to the [Terms and Conditions](#) of use.

---

**Datasheets & Catalog Pages**

[5-1773465-3-GI2.5Flyer](#)

English

[7-1773465-8-GI2.5-ChineseFlyer](#)

---

**Product Specifications**

[Application Specification](#)

English

---

**Agency Approvals**

[UL Report](#)

English