

Metal Case Draw Wire Encoder

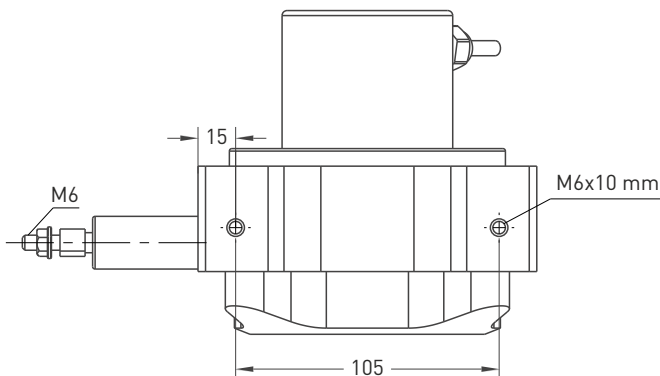
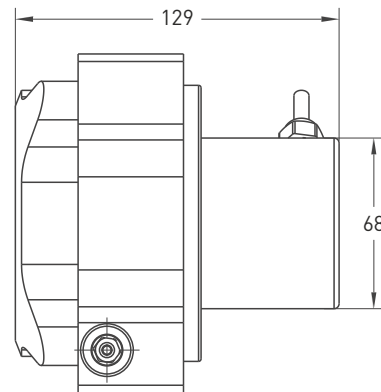
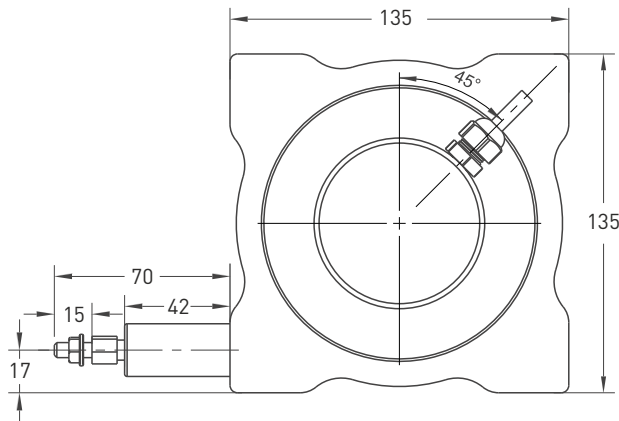


- Measuring strokes 3500 ... 8250 mm
- Incremental 50 µm / 25 µm incremental
- Push-Pull, TTL Linedriver or HTL Linedriver
- Easy mounting
- High protection degree

Teknik Özellikler

Type of measurement	Optik
Resolution	0,1 mm/ppr, 0,2 mm/ppr.
Measurement stroke	3500 ... 8250 mm
Output signal	A,B,Z veya A,Ā, B,Ā, Z, Z̄
Output signal type	Push-Pull, TTL Linedriver veya HTL Linedriver
Supply voltage	8 - 24 VDC, 5 VDC veya 5 - 30 VDC
Power consumption (without load)	< 40 mA (24 VDC)
Electrical connections	2.5 m kablo (standart)
Max. speed	1 m/s
Case material	Alüminyum
Weight	< 2200 gr.
IP degree	IP 65
Operating temperature	-20°C ... +80°C
Storage temperature	-30°C ... +90°C

Mechanical Specifications



Push-Pull Cable Output

+V : Brown
0V : White
GND : Shield
Ch A : Yellow
Ch B : Green
Ch Z : Gray

TTL - HTL Linedriver Cable Output

+V : Brown
0V : White
GND : Shield
Ch A : Yellow
Ch B : Green
Ch Z : Gray
Ch A inv. : Blue
Ch B inv. : Red
Ch Z inv. : Pink

Model	Case type	Measurement stroke	Output	Resolution	Output signal	Connector / Cable	Cable output
DWEM	3	8250	LTP	P1000	Z	2M5	R
DWEM	3	3500 mm 4000 mm 4500 mm 5000 mm 5500 mm	6000 mm 6500 mm 7000 mm 7500 mm 8250 mm	LTP : Push-Pull TTL : TTL Linedriver HTL : High Linedriver	P1000: 0,2 mm/puls P2000: 0,1 mm/puls	Z: A,B,Z B: A,B	2M5: 2,5 meter cable 5M : 5 meter cable 8M : 8 meter cable 10M: 10 meter cable