

Bicycle Set 10, 5 pieces

6003 Joker combination wrench - Open-end with return angle of just 15. When things get tight.



EAN:	4013288220653	Size:	220x90x45 mm
Part number:	05004178001	Weight:	392 g
Article number:	Bicycle Set 10	Country of origin:	CZ
		Customs tariff number:	82079030

- Particularly suitable for narrow screwdriving situations on the bike
- Joker 6003 pedal size 15 with flat mouth to mount and dismount pedals
- Joker 6003 size 9 for use in switchgears (bicycle gearshift)
- The special mouth geometry expands the placement possibilities of the tool
- The low return angle in the mouth "takes" the screw every 15°

5-piece Joker 6003 spanner set; size 15 in an extra-slim design. As the working space is very narrow when working on your bike, tools are necessary that enable users to work successfully even in such situations. Narrow spaces require additional placement points of the tool. Can spanners be modified so that the placement possibilities of the tool increase? The combination of the 7.5° pivoted mouth and the double hexagon geometry doubles the placement points. A repeated 180° turn of the wrench around the longitudinal axis during screwdriving provides four placement possibilities, and bolts or screw heads can be engaged every 15°. The Joker 6003 with its smart mouth geometry significantly expands the range of uses in confined spaces. The Joker 6003 will automatically find the respective placement point after every turn. The slim yet robust ring side is angled by 15° to the tool axis. The high-quality surface treatment achieves a high and long-lasting corrosion protection. With tool finder Take it easy: colour coding by size. The Joker bags are suitable for attachment to walls, shelves, workshop trolleys and the Wera 2go system thanks to the hook and loop fastener system on the back.

Web link


https://products.wera.de/en/joker_6003_joker_combination_wrench_open-end_with_return_angle_of_just_15_when_things_get_tight_bicycle_set_10.html


Wera - Bicycle Set 10
05004178001 - 4013288220653


Wera Werkzeuge GmbH
Korzter Straße 21-25
D-42349 Wuppertal
Tel: +49 (0)2 02 / 40 45-0
E-Mail: info@wera.de

6003 Joker combination wrench - Open-end with return angle of just 15. When things get tight.

Set contents:

	6003 Joker	
	05020200001	1 x 8 x 115 mm
	05020219001	1 x 9 x 120 mm
	05020201001	1 x 10 x 125 mm
	05020204001	1 x 13 x 160 mm

	6003 Joker Pedal	
	05020221001	1 x 15 x 174 mm

	K120	
		1 x 120 x 50 mm

For very tight spaces



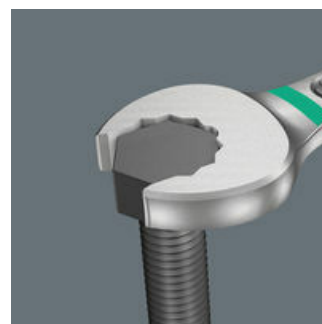
The Joker 6003 ring spanner with its special mouth geometry – mouth side pivoted by 7.5° and the double hexagon profile – doubles the placement possibilities when repeatedly turning the wrench 180° around the longitudinal axis. Bolts and screw heads can be "accessed" every 15°. The Joker 6003 will automatically find the respective placement point after every turn.

Joker 6003: For pivoting angles under 30°



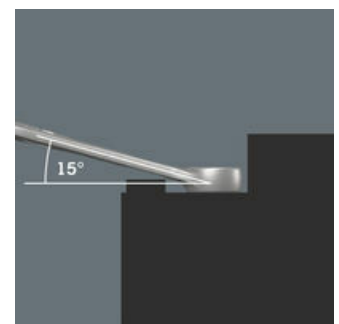
Thanks to the mouth side pivoted by 7.5°, double hexagon geometry and an adjusted application method (placement – screwdriving – turning – replacement – screwdriving – turning, etc), even screwdriving challenges allowing a pivoting angle of less than 30° can be solved.

Double-hex geometry



The double hexagon geometry on the mouth and ring sides secures the positive connection with the screw head or bolt and reduces the risk of slipping.

Joker 6003: Angled ring side



The ring side is angled at 15° to the tool axis to prevent injury.

Web link

https://products.wera.de/en/joker_6003_joker_combination_wrench_open-end_with_return_angle_of_just_15_when_things_get_tight_bicycle_set_10.html

Wera - Bicycle Set 10
05004178001 - 4013288220653

Wera Werkzeuge GmbH
Korzter Straße 21-25
D-42349 Wuppertal
Tel: +49 (0)2 02 / 40 45-0
E-Mail: info@wera.de

6003 Joker combination wrench - Open-end with return angle of just 15. When things get tight.

6003 Joker Pedal

“Take it easy” tool finder

Suitable for docking with the Wera 2go system



The extra thin pedal wrench (6003 Joker 15 Pedal) is ideal for narrow installation spaces



Take it easy tool finder system - with profile and size colour-coding for quick and easy tool selection. Colour-coded system for hexagon drive screws (L-Keys, Zyklop bit sockets), external hex drive screws and nuts (Joker wrenches, Zyklop sockets and Zyklop bit sockets with holding function), and TORX® drive screws (L-Keys, Zyklop bit sockets).



The Joker bags are suitable for attachment to walls, shelves, workshop trolleys and the Wera 2go system thanks to the hook and loop fastener system on the back.

Web link

https://products.wera.de/en/joker_6003_joker_combination_wrench_open-end_with_return_angle_of_just_15_when_things_get_tight_bicycle_set_10.html

Wera - Bicycle Set 10
05004178001 - 4013288220653

Wera Werkzeuge GmbH
Korzter Straße 21-25
D-42349 Wuppertal
Tel: +49 (0)2 02 / 40 45-0
E-Mail: info@wera.de