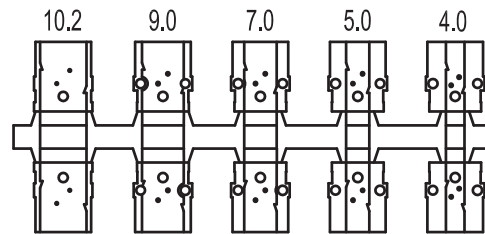
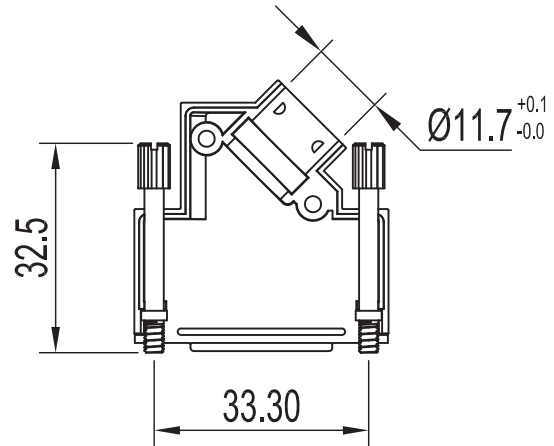
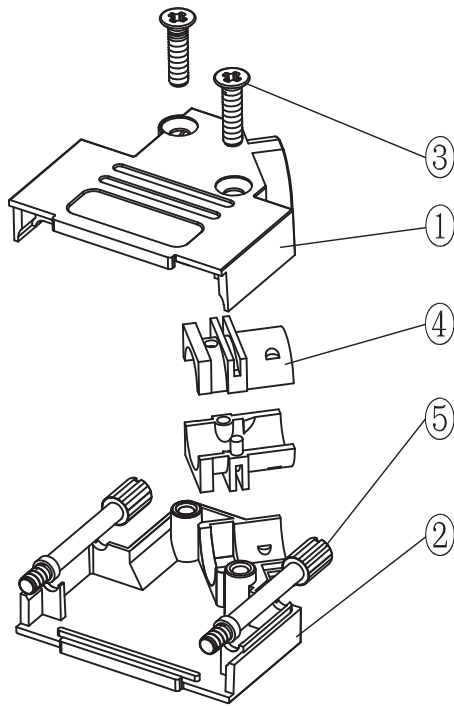
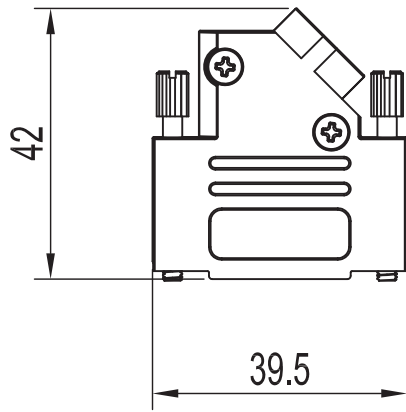


No.	Changes and/or Note No.	Date	Intr	No	Changes and/or Note No.	Date	Intr



Grommet Set

Part Number:	Description:	Pack:	Item	QTY	Part description
6560-0106-12	D45ZK15-K	Kit	1	1	D45ZK15-Upper cover
			2	1	D45ZK15-Lower cover
6561-0106-12	D45ZK15	Bulk	3	2	M3X12 Countersunk screw
			4	1	D45ZK-D2 Grommet set
			5	2	UNC 4-40X32.5 Jackscrew
DATE: 2011-04-10	DRAWN: MRR	SCALE:	MATERIAL TYPE:		GENERAL TOLERANCES UNLESS OTHERWISE STATED LINEAR 0 ±0.20 0.0 ±0.15 0.00 ±0.10 ANGULAR ±0°30' ALL DIMENSIONS IN mm THIRD ANGLE PROJECTION
APPROVED:		REPLACES:			
		<h1>D45ZK-SERIES</h1>			
				DRAWING No:	6688-9556