

Product data

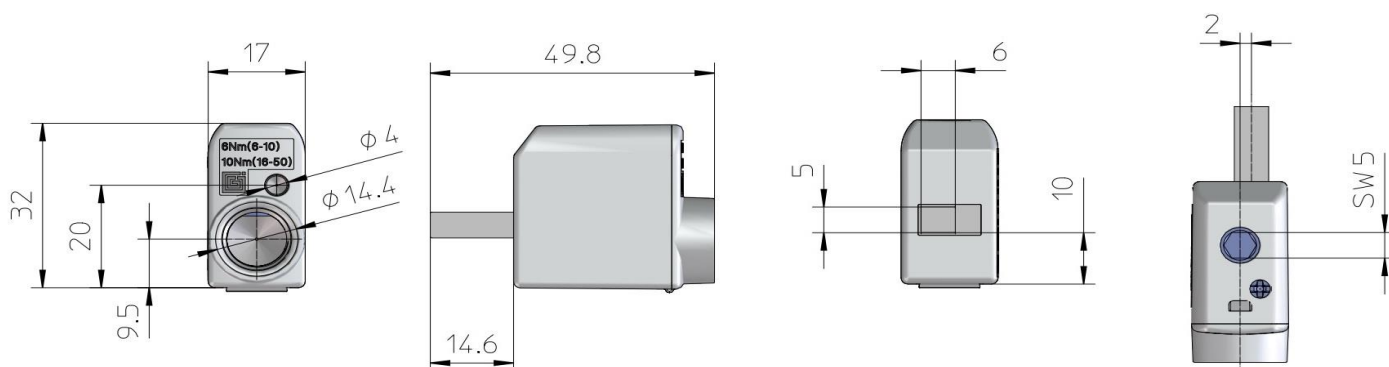
Product code	VC06-0036	STK-code	1912383	EAN-code	6410019123838
Product name	Device connector 1xAl/Cu 6-50 MR			ETIM class	EC001284
Wires	1xAl/Cu 6-50 mm ²				

Technical data

Nominal current	Cu	160	A
	Al	100	A
Nominal voltage		690	V
		-	
		-	
		-	
Number of poles		1	pcs
Max. Cross section		50	mm ²
Tightening torque	6-10 mm ²	6	Nm
	16-50 mm ²	10	Nm
		-	
		-	
Max. Operating temperature		80	°C
Weight		23	g
IP-protection		IP20	
Standards	EN 61238-1:2003 ; EN 60947-7-1:2009		
Color / Material	Grey Housing RAL 7035/PA66, Tin plated Aluminium		
Mounting / Connection	Screw		


Description

Device connector is a universal terminal series for connecting Al- and Cu-conductors to equipment. Body is made of tin plated aluminium, housing of polyamide. This model has and right-handed connector bar and measurement connector for up to 2,5mm² conductor.

Drawing

Package

Package	Box	Pcs / Package	50	Weight [kg]	1,25
Length [mm]	210	Width [mm]	155	Height [mm]	105

Ouneva Oy

Teollisuustie 21
FI-82730 Tuupovaara
Finland

Tel. +358 400 179 750
info@ouneva.fi

www.ounevagroup.fi
www.ounevaproducts.fi