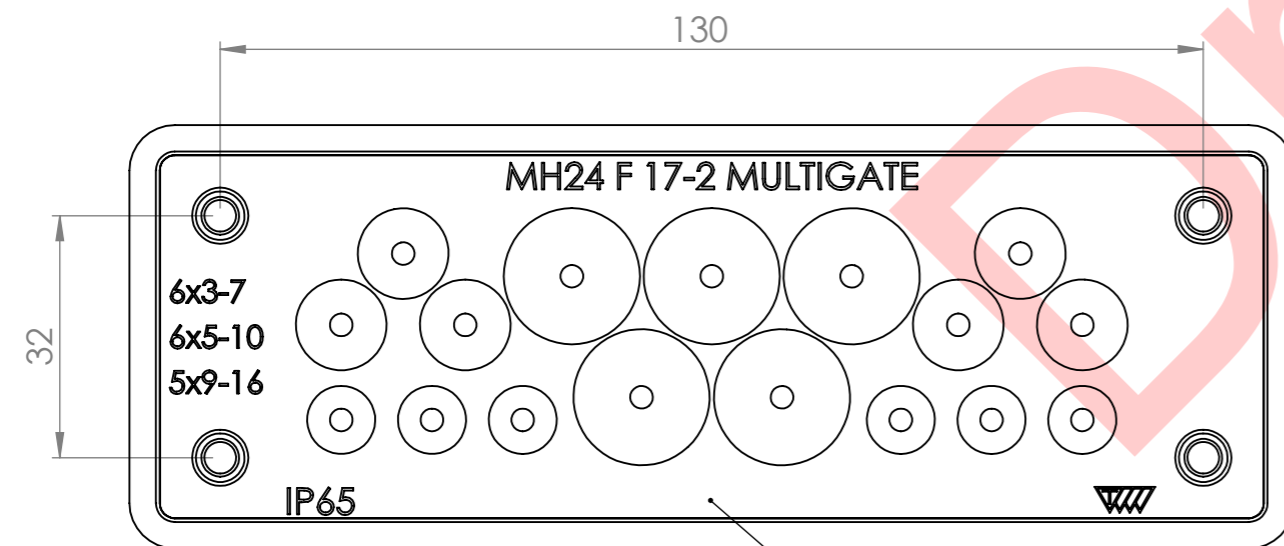
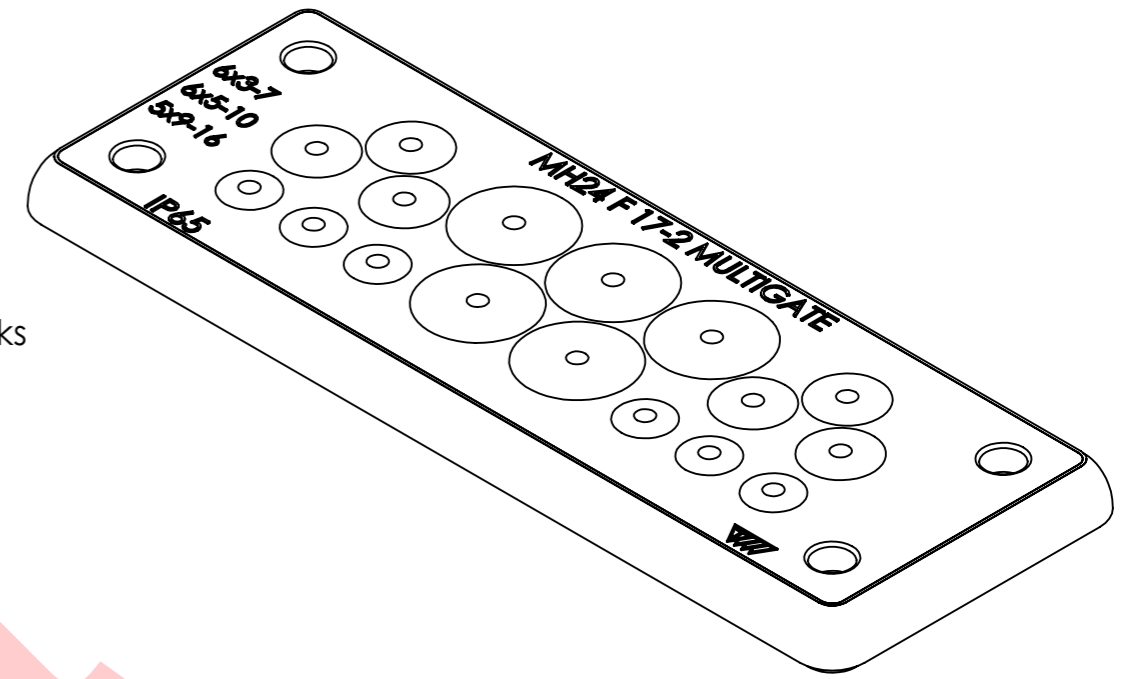
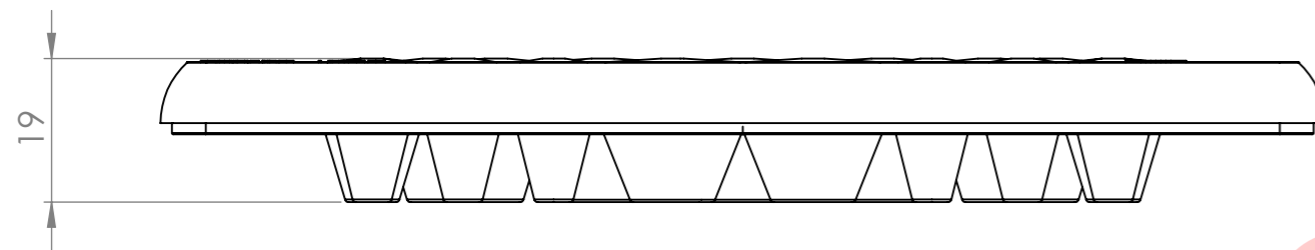
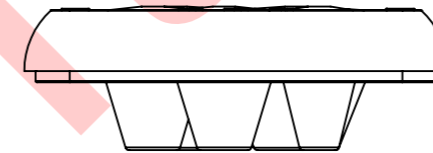


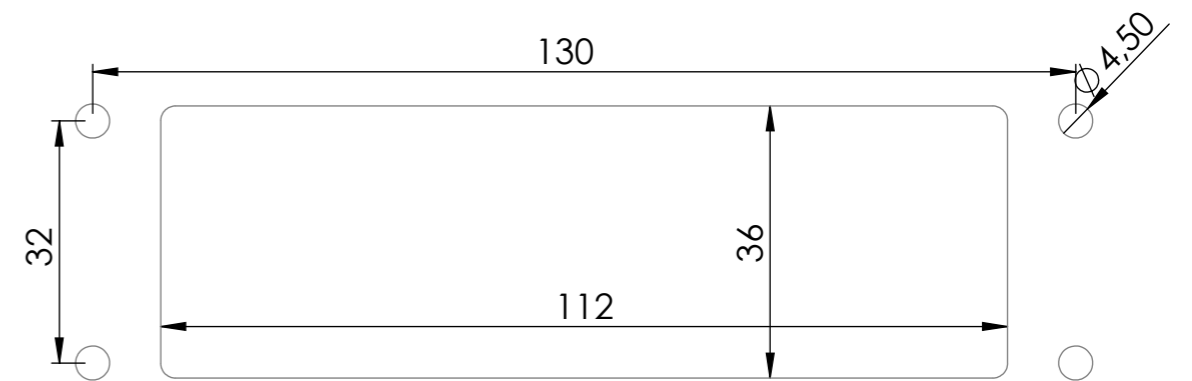
Month and Year clocks




Injection point



MH24 Cut-Out:



Basic desing according to 3D-model

SCALE 1:1	WEIGHT g	MATERIAL 108353/108342	TOLERANCE ISO 3302-1 M3	VOLUME cm ³	Plastic tolerance: DIN 16901
HARDNESS 60 ± 5 ShA	COLOUR Light Grey	FLASH ISO 3302-1 X3	PRODUCT NAME MH24 F 17-2 MULTIGATE		
REV	DESIGNER J. Lehtonen	SURFACE VDI3400-27	CODE 107296		
DATE 23.4.2018	APPROVED	DRAWING NUMBER 107296_X4			
SIZE A3	DATE				

© Copyright by Trelleborg
Proprietary data, all rights reserved