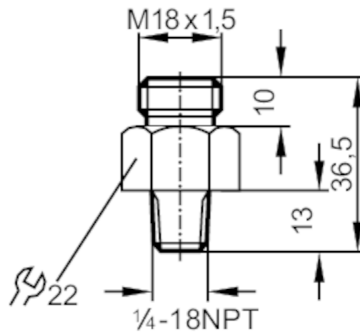


E40106



Screw-in adapter for process sensors

Adapter SI/1 - 1/4NPT



CRN

Application	
Application	for industrial applications
Media	liquids and gases
Pressure rating [bar]	300
MAWP (for applications according to CRN) [bar]	303
Tests / approvals	
Pressure Equipment Directive	A possible classification to PED depends on the application and has to be carried out by the user / operator.
Safety instructions	The compatibility between medium and product material has to be checked in all applications.
Mechanical data	
Weight [g]	57.6
Materials	stainless steel (1.4404 / 316L)
Sensor connection	M18 x 1,5 internal thread
Process connection	1/4 NPT
Insertion depth [mm]	13.9; (measuring probe SID, SFD, TN)
Remarks	
Pack quantity	1 pcs.