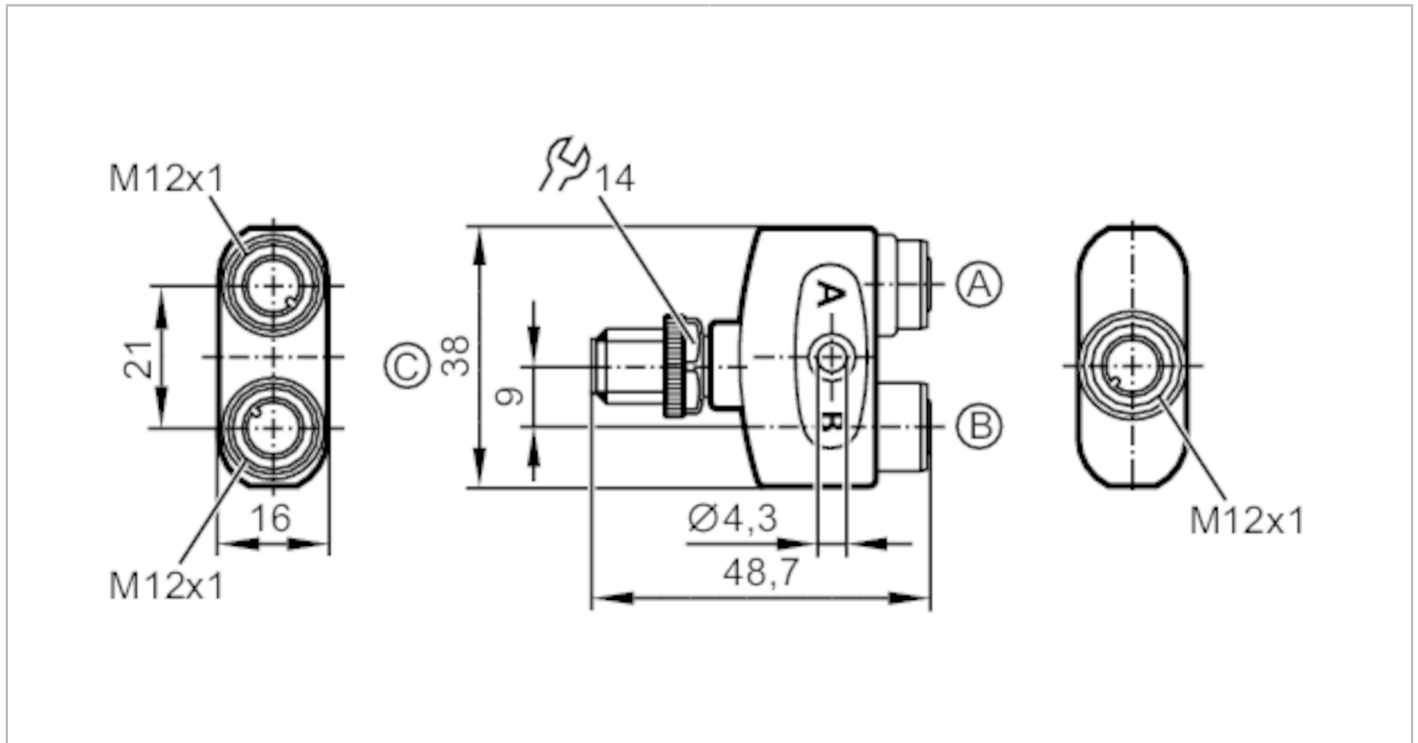


EBC113



Y-splitter

ZDO2H030MSS0000-00STGH040MSS



Application	
Special feature	Free from silicone; Gold-plated contacts
Free from silicone	yes
Electrical data	
Operating voltage [V]	< 250 AC / < 300 DC; (cULus: 30 AC / 42 DC)
Protection class	II
Max. current load per module/slot [A]	4
Max. current load total [A]	4
Operating conditions	
Ambient temperature [°C]	-25...90
Note on ambient temperature	cULus: ...65 °C
Protection	IP 65; IP 67; IP 68; IP 69K
Mechanical data	
Weight [g]	35.9
Materials	housing: PA orange; Sealing: FKM
Material nut	brass, nickel-plated / brass, nickel-plated
Remarks	
Pack quantity	1 pcs.

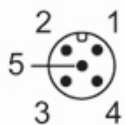
Electrical connection - plug

Connector: 1 x M12; Locking: brass, nickel-plated; Contacts: gold-plated; Tightening torque: 0.6...1.5 Nm

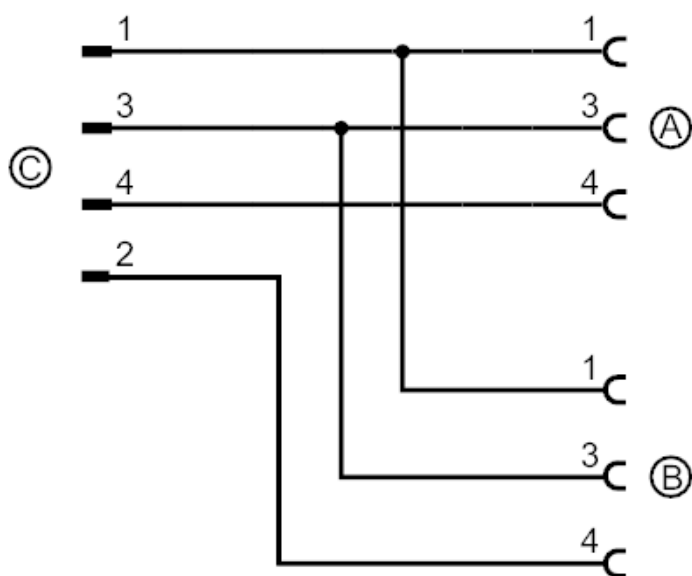


Y-splitter

ZDO2H030MSS0000-00STGH040MSS



Connection



Electrical connection - socket

Connector: 2 x M12; Locking: brass, nickel-plated; Contacts: gold-plated; Tightening torque: 0.6...1.5 Nm

