

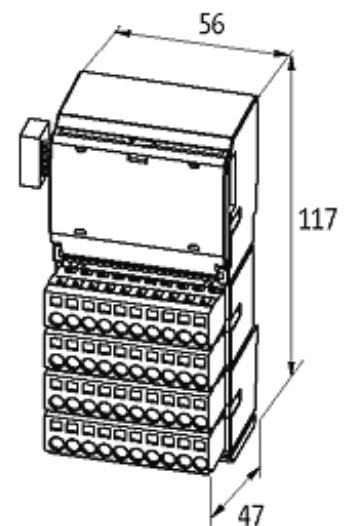
CUBE20 DIGITAL IN-/OUTPUT MODULE

16 digital inputs and 16 digital outputs

Expansion module
DI16/DO16 - (E)

[Link to Product](#)

Illustration



Product may differ from Image

Approvals



Input

Sensor supply US	24 V DC (EN 61131-2), max. 700 mA per module
Type	PNP (EN 61131-2)
Input filter	1 ms
Galvanic isolation	500 V DC between inputs and internal communication

Internal communication

Module Supply	via system connection
Current consumption	max. 25 mA

Connections

Fieldbus	Ribbon cable connection
Sensor-system/actuator supply	8 × Spring clamp plug-in terminals, max. 2.5 mm ² (max. 12 A)
I/O ports	32 × Spring clamp plug-in terminals, max. 2.5 mm ²

General data

Protection	IP20
Mounting method	DIN-rail mountable (EN 60715)
Temperature range	0...+55 °C (storage temperature -20...+85 °C)
Dimensions H × W × D	117×56×47 mm

Output

Actuator supply UA	24 V DC (EN 61131-2), max. 12 A
Galvanic isolation	500 V DC between outputs and internal communication
Switching current per output	max. 0.5 A (short-circuit and overload protected)
Lamp load	10 W

Diagnostic

Communication status	via LED
Diagnostic via LED	per module and channel (only outputs)
Diagnostic via BUS	per module and channel
Monitoring - under voltage	yes
Monitoring - no voltage	no
Short circuit and overload	yes

Commercial data

country of origin	DE
customs tariff number	85176200
minimum order quantity	1