

Type 10  
Side Ported

Type 11  
Bottom Ported

# Plug-in Connector Connecting Base

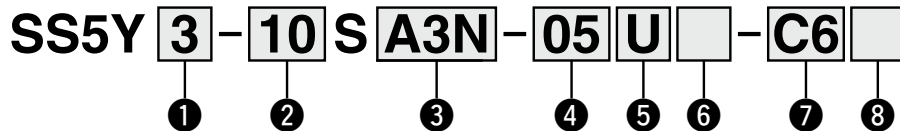
EX500 Gateway Decentralized System 2 (128 Points)

# SY3000/5000/7000 Series



## How to Order Manifolds

Refer to pages 160 (SY5000) and 161 (SY7000) for the dimensions of Type 11/Bottom-ported type.



### 1 Series

3	SY3000
5	SY5000
7	SY7000

\* For mixed mounting, refer to page 165 and later.

### 2 Type

10	Side ported
11	Bottom ported* <sup>1</sup>

\*<sup>1</sup> The SY5000 manifold base is used for the bottom-ported SY3000. When ordering, refer to the "Plug-in Mixed Mounting Type Manifold" (from page 165).

\* When mixing top-ported configurations, select from those listed on page 110. In such cases, use caution as there is also output on the A and B ports on the base side. Specify on the manifold specification sheet if plugs are required for the A and B ports on the base side.

### 3 SI unit (Number of outputs, Output polarity, Max. number of valve stations)

0	Without SI unit
A3N	32 outputs* <sup>1</sup> * <sup>4</sup> , 2 to 16 stations (24 stations* <sup>3</sup> ), Negative common* <sup>2</sup>

- \*<sup>1</sup> 16 outputs can be set by switching the built-in setting switch.
- \*<sup>2</sup> Ensure a match with the common specification of the valve.
- \*<sup>3</sup> ( ): Maximum number of stations for mixed single and double wiring
- \*<sup>4</sup> When using the SI unit with 32 outputs, use the GW unit compatible with the EX500 Gateway Decentralized System 2 (128 points).

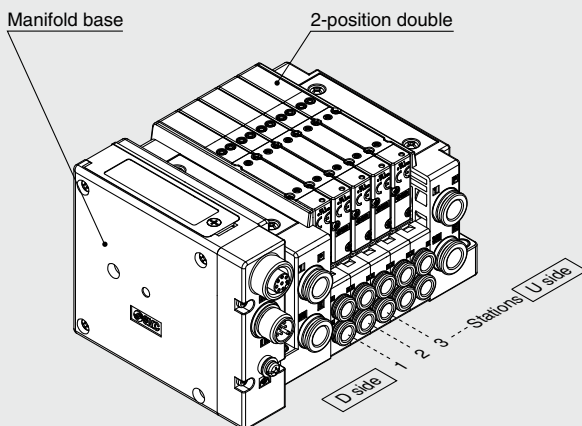
### 4 Valve stations

Stations	Note
02	2 stations Double wiring* <sup>1</sup>
⋮	
16	16 stations Specified layout* <sup>2</sup> (Up to 32 solenoids available)
02	
⋮	
24	24 stations

- \*<sup>1</sup> Double wiring: 2-position single, double, 3-position, and 4-position valves can be used on all manifold stations. Use of a 2-position single solenoid will result in an unused control signal. If this is not desired, order with a specified layout.
- \*<sup>2</sup> Specified layout: Indicate the wiring specifications on the manifold specification sheet. (Note that 2-position double, 3-position, and 4-position valves cannot be used where single wiring has been specified.)
- \* When the product without the SI unit (S0) is selected, note the maximum number of solenoids of the SI unit that will be mounted. If the layout is specified, indicate it on the manifold specification sheet.
- \* This also includes the number of the blanking plate assembly.

## How to Order Manifold Assembly

### Example



SS5Y3-10SA3N-05D-C6...1 set (Manifold base part number)  
 \* SY3200-5U1 .....5 sets (2-position double part number)  
 The asterisk denotes the symbol for the assembly.  
 Prefix it to the part numbers of the valve, etc.

- For the valve arrangement, the valve closest to the D side is considered the 1st station.
- Under the manifold base part number, state the valves to be mounted in order starting with the 1st station as shown in the figure above. If the arrangement becomes too complicated, specify the details on a manifold specification sheet.

### 5 P, E port entry

U	U side (2 to 10 stations)
D	D side (2 to 10 stations)
B	Both sides (2 to 24 stations)

### 6 SUP/EXH block assembly

Nil	Internal pilot
S	Internal pilot, Built-in silencer* <sup>1</sup> * <sup>2</sup>
R	External pilot

- \*<sup>1</sup> 3/5(E) port is plugged for the built-in silencer type.
- \*<sup>2</sup> When built-in silencer type is used, keep the exhaust port from coming into direct contact with water or other liquids.

\* A separate GW unit and communication cable are required.

For details on the EX500 Gateway Type Serial Transmission System, refer to the **Web Catalog** and the Operation Manual. For the part numbers of the SI units to be mounted, refer to page 188. Please download the Operation Manual via the SMC website, <https://www.smcworld.com>

## 7 A, B port size (Metric/One-touch fitting)

	A, B port	Type 10/Side ported			Type 11/Bottom ported	
		SY3000	SY5000	SY7000	SY5000	SY7000
Straight	C2	●	—	—	—	—
	C3	●	—	—	—	—
	C4	●	●	—	●	—
	C6	●	●	●	●	●
	C8	—	●	●	●	●
	C10	—	—	●	—	●
	C12	—	—	—	—	●
CM <sup>*1</sup>	Mixed sizes	●	●	●	●	●
Upward	L4	●	●	—	—	—
	L6	●	●	●	—	—
	L8	—	●	●	—	—
	L10	—	—	●	—	—
	L12	—	—	●	—	—
	LM <sup>*1</sup>	Mixed sizes	●	●	●	—
Downward	B4	●	●	—	—	—
	B6	●	●	●	—	—
	B8	—	●	●	—	—
	B10	—	—	●	—	—
	B12	—	—	●	—	—
	LM <sup>*1</sup>	Mixed sizes	●	●	●	—
P, E port <sup>*3</sup>		●	●	●	●	●
P, E port <sup>*3</sup>		●	●	●	●	●

## A, B port size (Inch/One-touch fitting)

	A, B port	Type 10/Side ported			Type 11/Bottom ported	
		SY3000	SY5000	SY7000	SY5000	SY7000
Straight	N1	●	—	—	—	—
	N3	●	●	—	●	—
	N7	●	●	●	●	●
	N9	—	●	●	●	●
	N11	—	—	●	—	●
	CM <sup>*1</sup>	Mixed sizes	●	●	●	●
Upward	LN3	●	—	—	—	—
	LN7	●	●	—	—	—
	LN9	—	●	—	—	—
Downward	BN3	●	—	—	—	—
	BN7	●	●	—	—	—
	BN9	—	●	—	—	—
	BN11	—	—	●	—	—
LM <sup>*1</sup>	Mixed sizes	●	●	●	—	—
P, E port <sup>*3</sup>		●	●	●	●	●
P, E port <sup>*3</sup>		●	●	●	●	●

\*1 Indicate the sizes on the manifold specification sheet.

\*2 To avoid interference with the body or piping, select a downward elbow port when mounting the optional spacer assembly (pages 204 to 206).

\*3 The direction of P, E port fittings is the same as for the A, B port. If selecting "LM," indicate it on the manifold specification sheet for the P, E port fitting direction.

## 8 Mounting and Option

	Mounting	Option	
		Name plate	Station number
Nil	Direct mounting	—	—
AA		●	●
BA		●	—
D <sup>*1</sup>	DIN rail mounting	—	—
A <sup>*1</sup>		●	●
B <sup>*1</sup>		●	—
⋮		⋮	⋮
24 <sup>*1</sup>	With DIN bracket, DIN rail for 24 stations	—	—

\*1 Refer to "DIN Rail Option" below.

\* Select the direct mounting type for Type 11 (Bottom ported).

### DIN Rail Option

Nil	With DIN bracket, DIN rail with standard length
0	With DIN bracket, without DIN rail
3 <sup>*1</sup>	With DIN bracket, DIN rail for 3 stations
⋮	⋮
24 <sup>*1</sup>	With DIN bracket, DIN rail for 24 stations

\*1 Specify a longer rail than the length of valve stations.

\* If the DIN rail must be mounted without an SI unit, select "D0" and order the DIN rail separately. Refer to L3 of the dimensions for the DIN rail length. Refer to page 203 for the DIN rail part number.

\* Refer to page 295 for the fixation of DIN rail mounting type manifold.

