

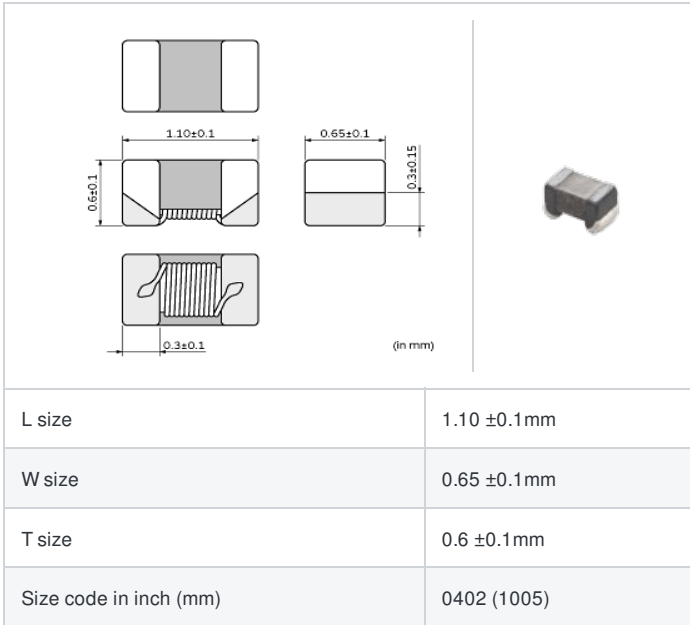
LQW15DN150M00#

“#” indicates a package specification code.



< List of part numbers with package codes >
LQW15DN150M00D , LQW15DN150M00B

Shape



Notes

When rated current is applied to the products, inductance will be within ±30% of nominal inductance value.
When rated current is applied to the products, the temperature rise caused by self-generated heat shall be limited to 40 °C max.

References

Packaging code	Specifications	Minimum quantity
D	φ180mm Paper taping	8000
B	Packing in bulk	500

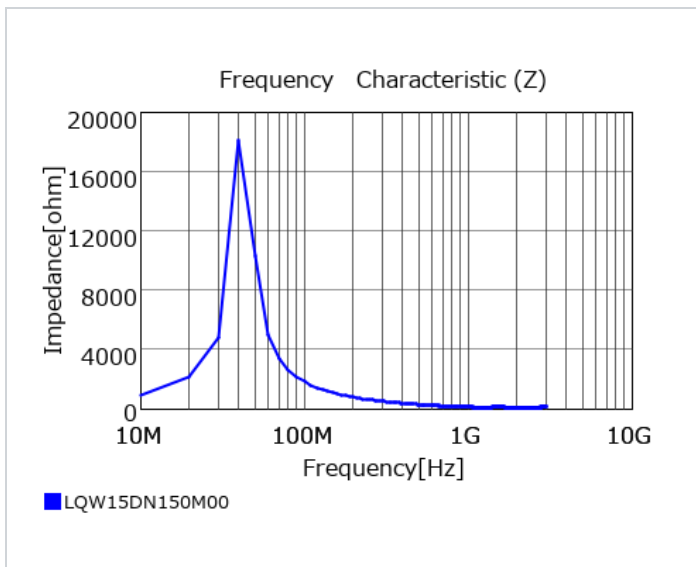
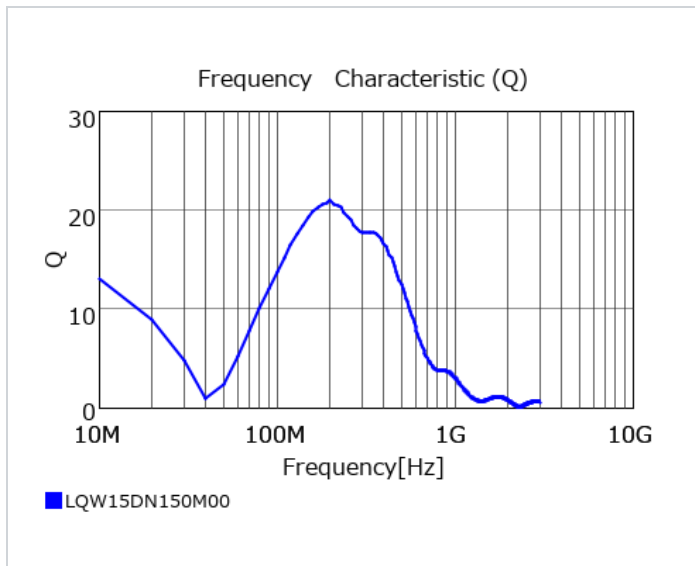
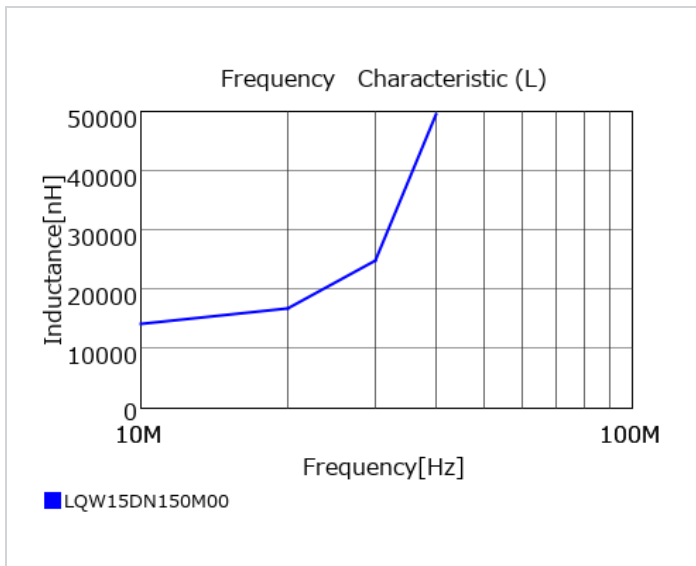
Mass (Typ.)	
1 piece	0.002g

Specifications

Inductance	15µH ±20%
Inductance test frequency	10MHz
Rated current (I _{sat}) (Based on Inductance change)	100mA
Rated current (I _{temp}) (Based on Temperature rise)	100mA
Max. of DC resistance	6.555Ω
Avg. of DC resistance	5.7Ω ±15%
Self resonance frequency (min.)	20MHz
Operating temperature range	-40°C to 85°C
Class of magnetic shield	Magnetic Resin
Series	LQW15DN_00

Attention

- 1.This datasheet is downloaded from the website of Murata Manufacturing Co., Ltd. Therefore, it's specifications are subject to change or our products in it may be discontinued without advance notice. Please check with our sales representatives or product engineers before ordering.
- 2.This datasheet has only typical specifications because there is no space for detailed specifications. Therefore, please review our product specifications or consult the approval sheet for product specifications before ordering.



⚠ Attention

- 1.This datasheet is downloaded from the website of Murata Manufacturing Co., Ltd. Therefore, it's specifications are subject to change or our products in it may be discontinued without advance notice. Please check with our sales representatives or product engineers before ordering.
- 2.This datasheet has only typical specifications because there is no space for detailed specifications. Therefore, please review our product specifications or consult the approval sheet for product specifications before ordering.